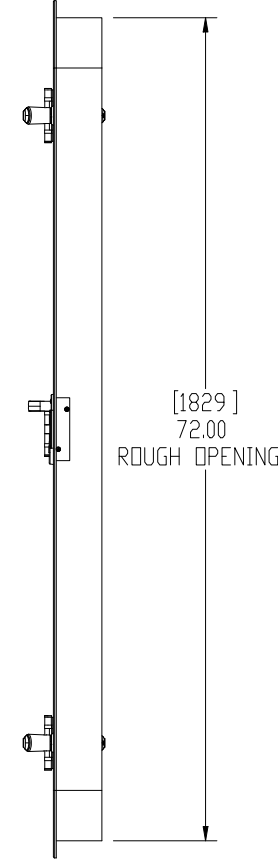
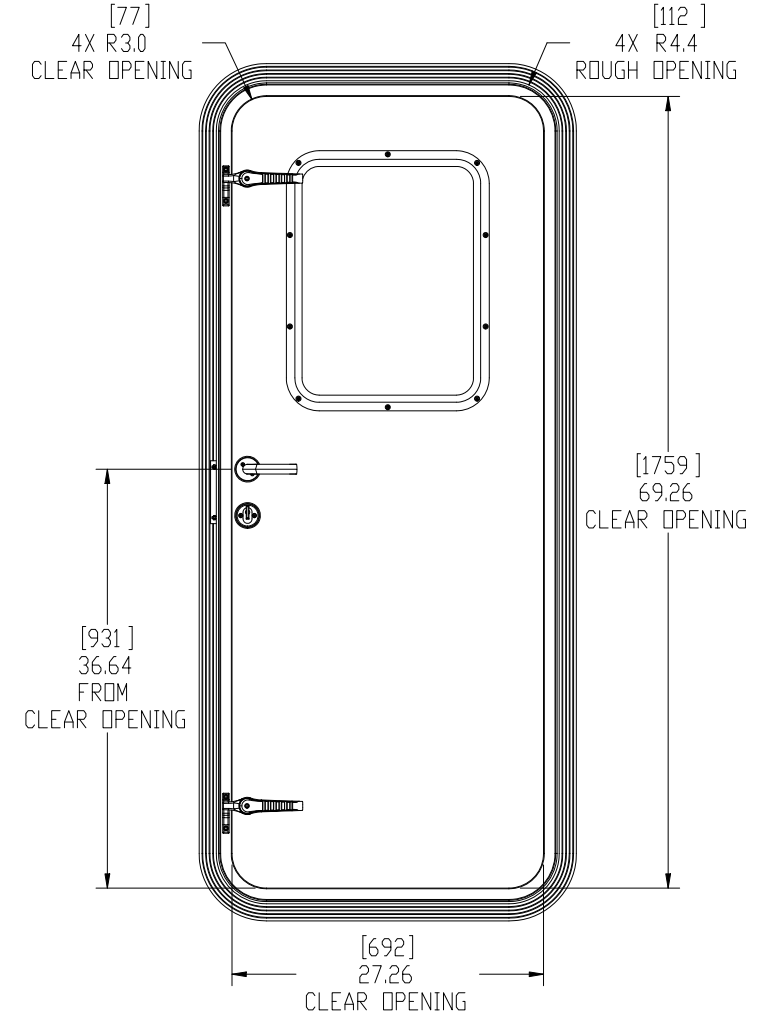


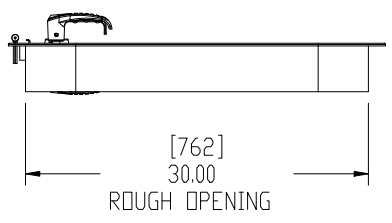
EXTERIOR VIEW



KEY PLAN
OUTWARD OPENING
LEFT HAND



INTERIOR VIEW



ROUGH OPENING

- 7. FINISH - COAMING: PER SALES ORDER SPECIFICATION.
FINISH - PANEL: PER SALES ORDER SPECIFICATION.
 - 6. THIS DRAWING PROVIDES THE GENERAL CONFIGURATION OF A DOOR FOR MORE DETAILED INFORMATION, CONTACT FREEMAN MARINE SALES.
 - 5. RADIUS CORNER PANEL.
 - 4. WEATHERTIGHT CONSTRUCTION.
 - 3. PANEL SKIN THICKNESS AS DESCRIBED IN CONFIGURATION DETAIL.
 - 2. DOOR SIZE/STYLE AS REQUIRED.
 - 1. OUTWARD OPENING, LEFT HAND, PER FREEMAN STANDARD.
- NOTES: UNLESS OTHERWISE SPECIFIED.

CUSTOMER APPROVAL

Signature: _____
Date: _____

IMPORTANT! THIS DRAWING SUPERSEDES ALL OTHER DOCUMENTS. By signing this approval you accept and agree that the dimensions and details shown are correct and properly fit your application, regardless of any differences between this drawing and any contract specifications. Should you see any errors in the drawing, or have any questions, please contact your Freeman Marine sales engineer for clarification.

REV.	DESCRIPTION	DATE	DRAWN
-	INITIAL RELEASE	04MAR11	GJM

SPECIFICATIONS SUBJECT TO CHANGE WITHOUT NOTICE.

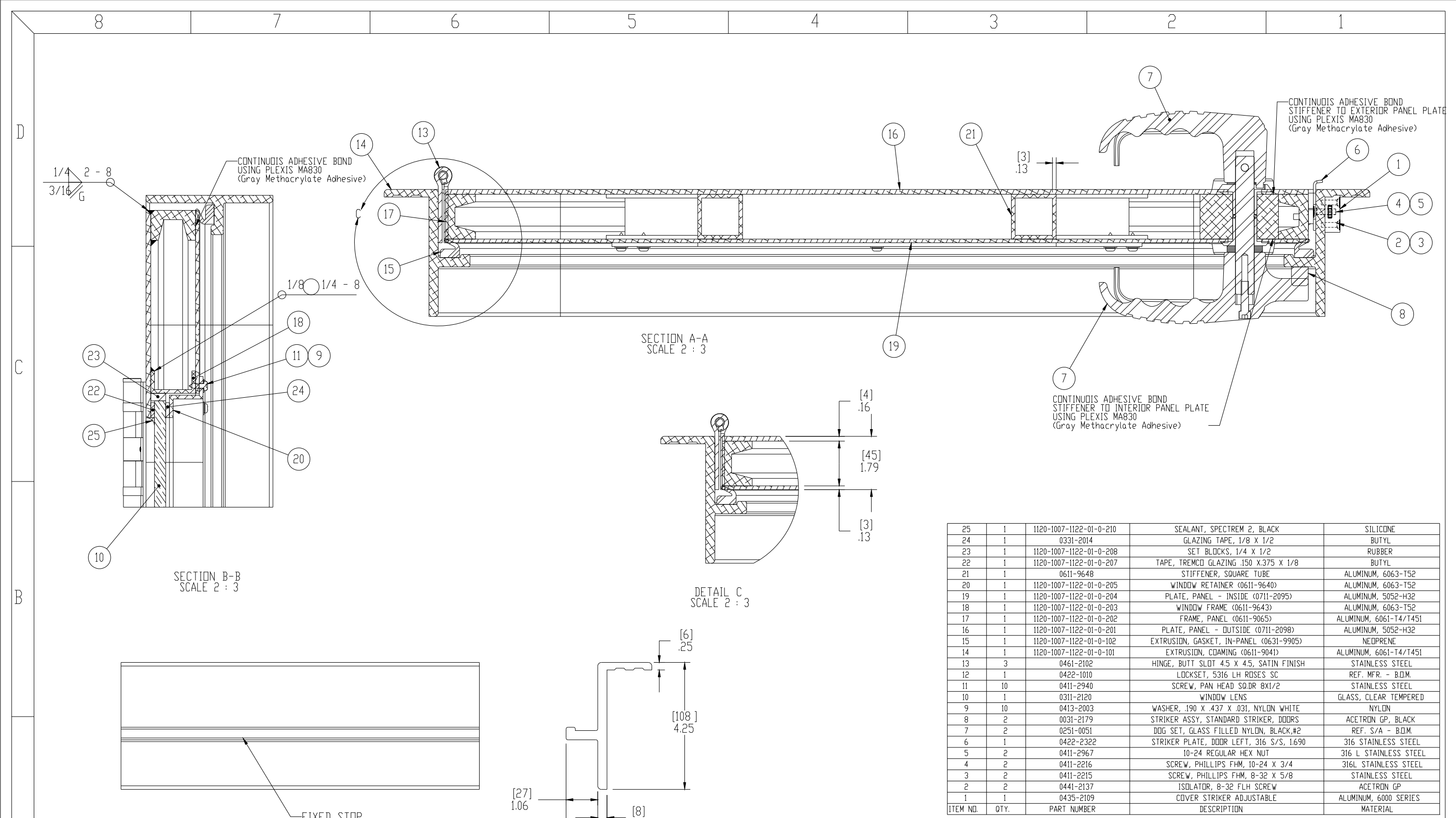
PROJECTION

UNLESS OTHERWISE SPECIFIED DIMENSIONS ARE IN INCHES. TOLERANCES FOR ROUGH AND CLEAR OPENING ± .125 INCH. ALL OTHERS ARE:

.X	.XX	.XXX	ANGLES
±.1	±.03	±.010	±2°

DO NOT SCALE DRAWING

FREEMAN MARINE EQUIPMENT, INC. <small>CONFIDENTIAL PROPERTY OF FREEMAN MARINE EQUIPMENT, INC. UNAUTHORIZED REPRODUCTION OR DISTRIBUTION IS STRICTLY PROHIBITED. ALL RIGHTS RESERVED 2010, FREEMAN MARINE EQUIPMENT, INC.</small>		28336 HUNTER CREEK ROAD GOLD BEACH, OR 97444 U.S.A. PHONE: 541-247-7078 FAX: 541-247-2114 www.freemarinmarine.com	
		CLIENT:	FREEMAN MARINE
DRAWN: G MACEACHERN DATE: 04MAR11 CHECKED: P. CANCELLIERI DATE: 04MAR11 ENGR: DATE: DESIGN ACTIVITY: DATE: CONTRACT NO:		TITLE:	MODEL 1120-1007-1022-01-0 OUTWARD OPENING LEFT HAND
SIZE:	D	CAGE CODE:	64747
DRAWING NUMBER:	1120-1007-1022-01-0 LH	REV.:	-
SCALE:	1:8	CALC. VT.:	ACT. VT.:
			SHEET 1 OF 2



ITEM NO.	QTY.	PART NUMBER	DESCRIPTION	MATERIAL
25	1	1120-1007-1122-01-0-210	SEALANT, SPECTREM 2, BLACK	SILICONE
24	1	0331-2014	GLAZING TAPE, 1/8 X 1/2	BUTYL
23	1	1120-1007-1122-01-0-208	SET BLOCKS, 1/4 X 1/2	RUBBER
22	1	1120-1007-1122-01-0-207	TAPE, TREMCO GLAZING .150 X.375 X 1/8	BUTYL
21	1	0611-9648	STIFFENER, SQUARE TUBE	ALUMINUM, 6063-T52
20	1	1120-1007-1122-01-0-205	WINDOW RETAINER (0611-9640)	ALUMINUM, 6063-T52
19	1	1120-1007-1122-01-0-204	PLATE, PANEL - INSIDE (0711-2095)	ALUMINUM, 5052-H32
18	1	1120-1007-1122-01-0-203	WINDOW FRAME (0611-9643)	ALUMINUM, 6063-T52
17	1	1120-1007-1122-01-0-202	FRAME, PANEL (0611-9065)	ALUMINUM, 6061-T4/T451
16	1	1120-1007-1122-01-0-201	PLATE, PANEL - OUTSIDE (0711-2098)	ALUMINUM, 5052-H32
15	1	1120-1007-1122-01-0-102	EXTRUSION, GASKET, IN-PANEL (0631-9905)	NEOPRENE
14	1	1120-1007-1122-01-0-101	EXTRUSION, COAMING (0611-9041)	ALUMINUM, 6061-T4/T451
13	3	0461-2102	HINGE, BUTT SLOT 4.5 X 4.5, SATIN FINISH	STAINLESS STEEL
12	1	0422-1010	LOCKSET, 5316 LH ROSES SC	REF. MFR. - B.O.M.
11	10	0411-2940	SCREW, PAN HEAD SQ.DR 8X1/2	STAINLESS STEEL
10	1	0311-2120	WINDOW LENS	GLASS, CLEAR TEMPERED
9	10	0413-2003	WASHER, .190 X .437 X .031, NYLON WHITE	NYLON
8	2	0031-2179	STRIKER ASSY, STANDARD STRIKER, DOORS	ACETRON GP, BLACK
7	2	0251-0051	DOG SET, GLASS FILLED NYLON, BLACK,#2	REF. S/A - B.O.M.
6	1	0422-2322	STRIKER PLATE, DOOR LEFT, 316 S/S, 1.690	316 STAINLESS STEEL
5	2	0411-2967	10-24 REGULAR HEX NUT	316 L STAINLESS STEEL
4	2	0411-2216	SCREW, PHILLIPS FHM, 10-24 X 3/4	316L STAINLESS STEEL
3	2	0411-2215	SCREW, PHILLIPS FHM, 8-32 X 5/8	STAINLESS STEEL
2	2	0441-2137	ISOLATOR, 8-32 FLH SCREW	ACETRON GP
1	1	0435-2109	COVER STRIKER ADJUSTABLE	ALUMINUM, 6000 SERIES

NOTES: UNLESS OTHERWISE SPECIFIED.

CUSTOMER APPROVAL
 Signature: _____
 Date: _____
 IMPORTANT! THIS DRAWING SUPERSEDES ALL OTHER DOCUMENTS.
 By signing this approval you accept and agree that the dimensions and details shown are correct and properly fit your application, regardless of any differences between this drawing and any contract specifications. Should you see any errors in the drawing, or have any questions, please contact your Freeman Marine sales engineer for clarification.

REV.	DESCRIPTION	DATE	DRAWN
-	INITIAL RELEASE	04MARI1	GJM

SPECIFICATIONS SUBJECT TO CHANGE WITHOUT NOTICE.

PROJECTION

UNLESS OTHERWISE SPECIFIED DIMENSIONS ARE IN INCHES. TOLERANCES FOR ROUGH AND CLEAR OPENING ± .125 INCH. ALL OTHERS ARE:
 .X .XX .XXX ANGLES
 ±.1 ±.03 ±.010 ±.2*

DO NOT SCALE DRAWING

FREEMAN MARINE EQUIPMENT, INC.

28336 HUNTER CREEK ROAD
 GOLD BEACH, OR 97444 U.S.A.
 PHONE: 541-247-7078 FAX: 541-247-2114
 WWW.Freemarinmarine.com

CLIENT: **FREEMAN MARINE**

TITLE: **MODEL 1120-1007-1022-01-0
 OUTWARD OPENING LEFT HAND**

DRAWN: G. MACEACHERN	DATE: 04MARI1	SIZE: D	CAGE CODE: 64741	DRAWING NUMBER: 120-1007-1022-01-0 LH-	REV.:
CHECKED: P. CANCELLIERI	DATE: 04MARI1	SCALE: 1:6	CALC. WT.:	ACT. WT.:	SHEET 2 OF 2
ENGR:	DATE:				
DESIGN ACTIVITY:	DATE:				
CONTRACT NO.:					