

REVISIONS		
REV#	DESCRIPTION	DATE

GENERAL NOTES

1. INSTALLATION: BOLT OR WELD-IN.
2. BUILD TO SPIGOT.
3. WEATHER TIGHT CONSTRUCTION.
4. GLASS SHALL BE 1/4" CLEAR TEMPERED.
5. APPROXIMATE WEIGHT: 83KG (183LBS.)
6. FINISH: BARE METAL.
7. FOR ADDITIONAL INFORMATION CONTACT YOUR SALES REPRESENTATIVE OR PROJECT MANAGER.

CUSTOMER APPROVAL

IMPORTANT! THIS DRAWING SUPERSEDES ALL OTHER DOCUMENTS. BY SIGNING THIS APPROVAL YOU ACCEPT AND AGREE THAT THE DIMENSIONS AND DETAILS SHOWN ARE CORRECT AND PROPERLY FIT YOUR APPLICATION, REGARDLESS OF ANY DIFFERENCES BETWEEN THIS DRAWING AND ANY PRIOR CONTRACT SPECIFICATIONS. SHOULD YOU HAVE ANY QUESTIONS OR SEE ANY ERRORS, DO NOT SIGN THIS APPROVAL UNTIL THE DRAWING IS CORRECTED.

SIGN _____ DATE _____

UNLESS OTHERWISE SPECIFIED, DIMENSIONS ARE IN MILLIMETERS. TOLERANCES FOR ROUGH AND CLEAR OPENINGS ARE ±3mm (.125"). ALL OTHERS ARE:

METRIC	X ±2.5	.X ±.8	.XX ±.25	ANGLES ±2°
IMPERIAL	.X ±.1	.XX ±.03	.XXX ±.010	ANGLES ±2°

BAR CODE _____ CAGE CODE _____

ITEM NO.	PART NUMBER	DESCRIPTION	QTY.
1	D11436	MAIN FRAME	1
2	D11354	TOP SKIN	2
3	D11354	BOTTOM SKIN	2
4	D11435	UPPER PANEL EDGE	1
5	D11435	LOWER PANEL EDGE	1
6	D11481	1-1/2" POLYSTYRENE-TOP	1
7	D11481	1-1/2" POLYSTYRENE-BOTTOM	1
8	D10847	GASKET	1
9	D11234	TRIOVING 5312	1
10	D12015	DEADBOLT RECESS	1
11	D10293	500 STRIKER PLATE	1
12	D10480	4 X 4 SLOTTED HINGE	4
13	D11129	DOG WEDGE	3
14	D11252	DOG, HANDLE, NYLON, SET, 250	2
15	D11270	Nylon 250 Dutch Blind Dog Set - LH	1
16	D5 Window	WINDOW	1

dsG Diamond Sea Glaze
An AdvanTec Company

COPYRIGHT 2015 ADVANTEC GLOBAL INNOVATIONS. ALL RIGHTS RESERVED. CONFIDENTIAL PROPERTY OF ADVANTEC GLOBAL INNOVATIONS. UNAUTHORIZED USE, REPRODUCTION OR DISTRIBUTION IS STRICTLY PROHIBITED. COPIES REMAIN THE PROPERTY OF ADVANTEC GLOBAL INNOVATIONS AND MUST BE RETURNED UPON REQUEST.

CLIENT _____

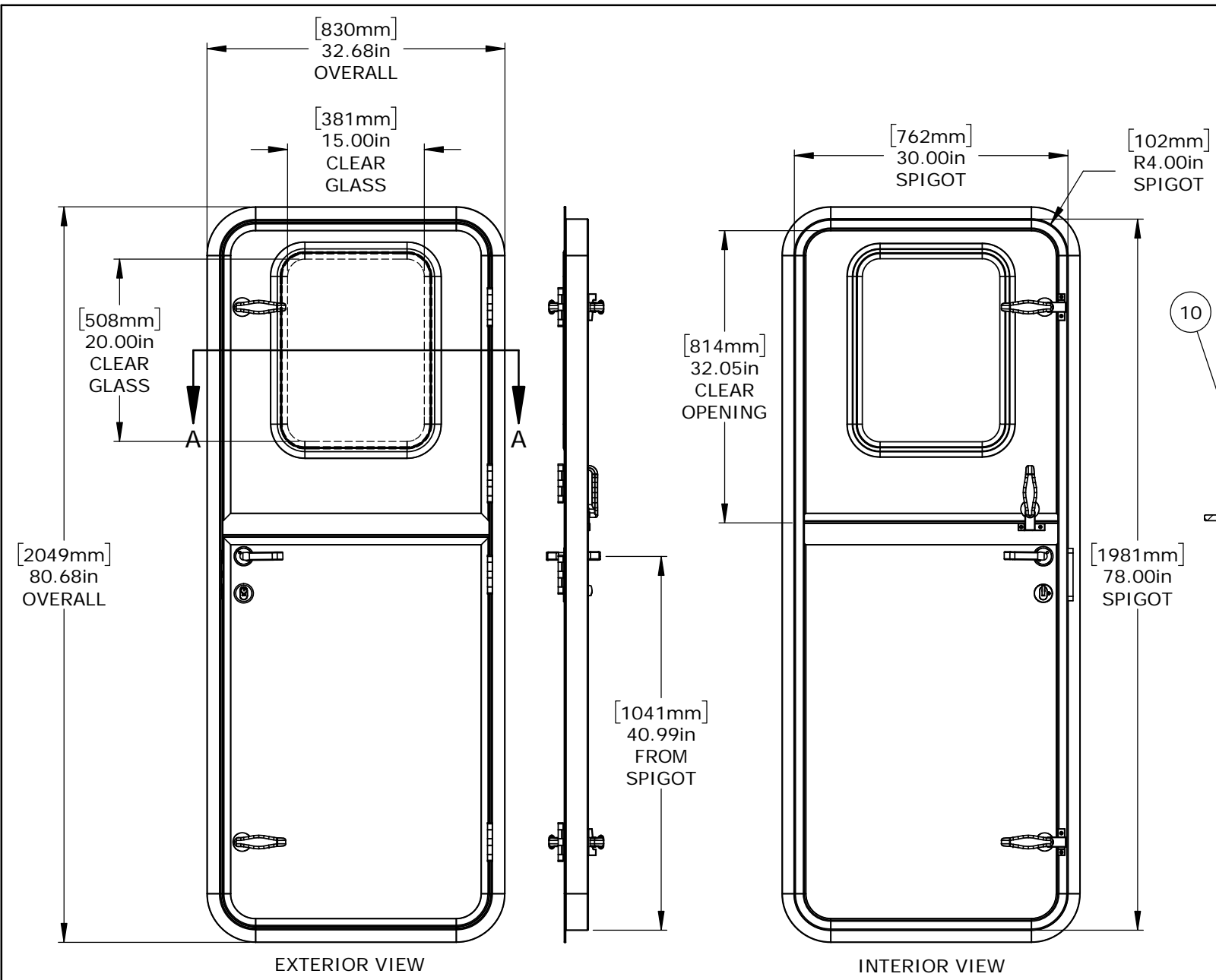
PROJECT TITLE
WEATHERTIGHT DUTCH DOOR

DWG TITLE
MODEL 30" X 78" LH

SCALE	DRAWN	DATE	CHECKED	DATE	SIZE
1:20					B

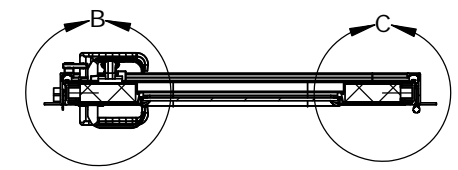
S.O. NO. _____ DWG NO. _____ SHEET 10 of 18 REV _____

250-DUTCH DOOR

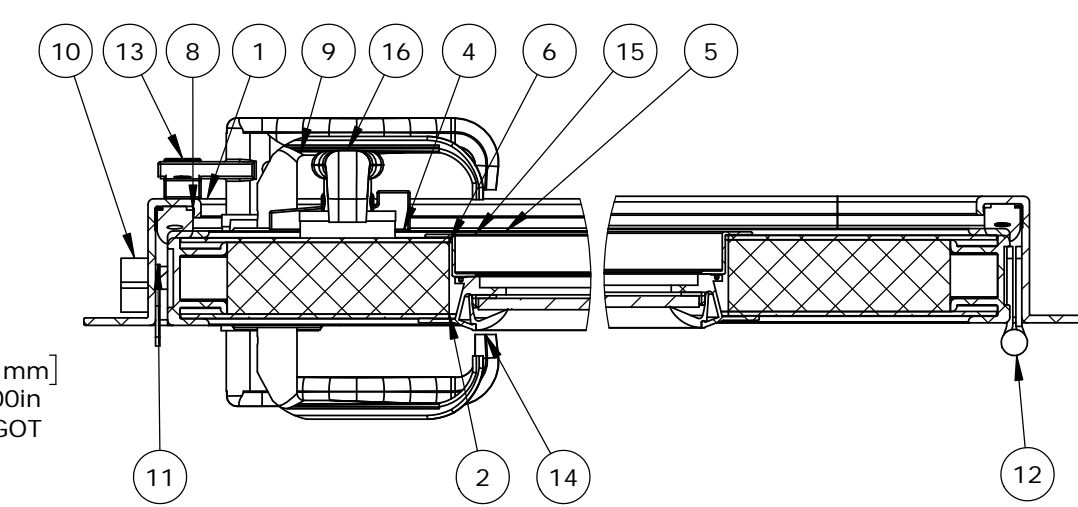


EXTERIOR VIEW

INTERIOR VIEW



SECTION A-A
SCALE 1 : 16



DETAIL B
SCALE 1 : 4

DETAIL C
SCALE 1 : 4

REVISIONS

REV#	DESCRIPTION	DATE

GENERAL NOTES

1. INSTALLATION: BOLT OR WELD-IN.
2. BUILD TO SPIGOT.
3. WEATHER TIGHT CONSTRUCTION.
4. GLASS SHALL BE 1/4" CLEAR TEMPERED.
5. APPROXIMATE WEIGHT: 83KG (183LBS.)
6. FINISH: BARE METAL.
7. FOR ADDITIONAL INFORMATION CONTACT YOUR SALES REPRESENTATIVE OR PROJECT MANAGER.

CUSTOMER APPROVAL

IMPORTANT! THIS DRAWING SUPERSEDES ALL OTHER DOCUMENTS. BY SIGNING THIS APPROVAL YOU ACCEPT AND AGREE THAT THE DIMENSIONS AND DETAILS SHOWN ARE CORRECT AND PROPERLY FIT YOUR APPLICATION, REGARDLESS OF ANY DIFFERENCES BETWEEN THIS DRAWING AND ANY PRIOR CONTRACT SPECIFICATIONS. SHOULD YOU HAVE ANY QUESTIONS OR SEE ANY ERRORS, DO NOT SIGN THIS APPROVAL UNTIL THE DRAWING IS CORRECTED.

SIGN _____ DATE _____

UNLESS OTHERWISE SPECIFIED, DIMENSIONS ARE IN MILLIMETERS. TOLERANCES FOR ROUGH AND CLEAR OPENINGS ARE ±3mm (.125"). ALL OTHERS ARE:

METRIC	X	.X	.XX	ANGLES
	±2.5	±.8	±.25	±2°
IMPERIAL	.X	.XX	.XXX	ANGLES
	±.1	±.03	±.010	±2°

BAR CODE _____ CAGE CODE _____

ITEM NO.	PART NUMBER	DESCRIPTION	QTY.
1	D11436	MAIN FRAME	1
2	D11354	TOP SKIN	2
3	D11354	BOTTOM SKIN	2
4	D11435	UPPER PANEL EDGE	1
5	D11435	LOWER PANEL EDGE	1
6	D11481	1-1/2" POLYSTYRENE	1
7	D11481	1-1/2" POLYSTYRENE	1
8	D10847	GASKET	1
9	D11237	TRIOVING 5312	1
10	D12015	DEADBOLT RECESS	1
11	D10293	500 STRIKER PLATE	1
12	D10480	4 X 4 SLOTTED HINGE	4
13	D11129	DOG WEDGE	3
14	D11252	DOG, HANDLE, NYLON, SET, 250	2
15	D5 Window	WINDOW	1
16	D12836	Nylon 250 Dutch Blind Dog Set - RH	1



COPYRIGHT 2015 ADVANTEC GLOBAL INNOVATIONS. ALL RIGHTS RESERVED. CONFIDENTIAL PROPERTY OF ADVANTEC GLOBAL INNOVATIONS. UNAUTHORIZED USE, REPRODUCTION OR DISTRIBUTION IS STRICTLY PROHIBITED. COPIES REMAIN THE PROPERTY OF ADVANTEC GLOBAL INNOVATIONS AND MUST BE RETURNED UPON REQUEST.

CLIENT _____ PROJECT TITLE WEATHERTIGHT DUTCH DOOR

DWG TITLE		QTY
MODEL 30" X 78" RH		
SCALE	DRAWN	DATE
1:20		
CHECKED	DATE	SIZE
		B
S.O. NO	DWG NO	SHEET
		24
		of
		27
		REV