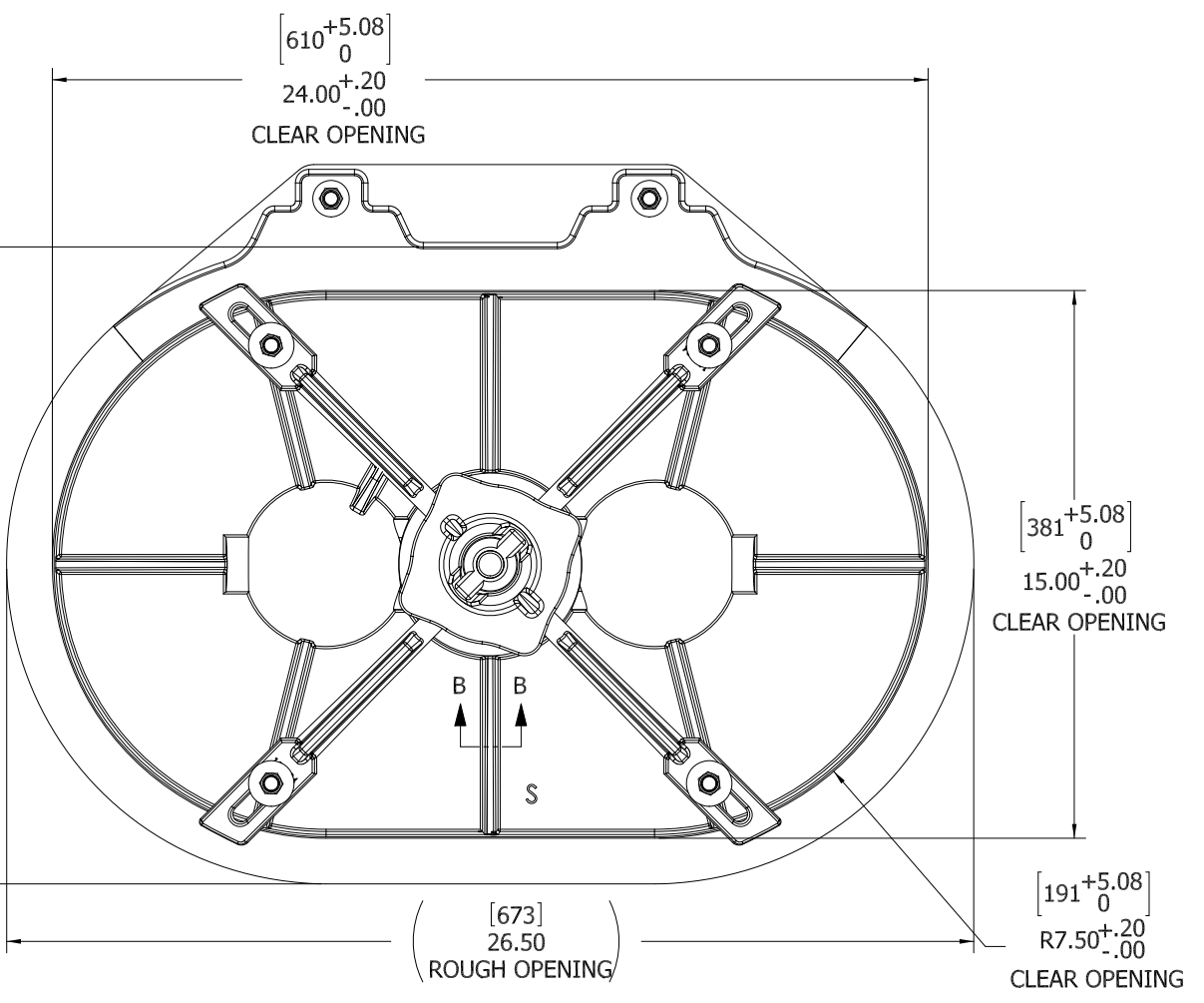
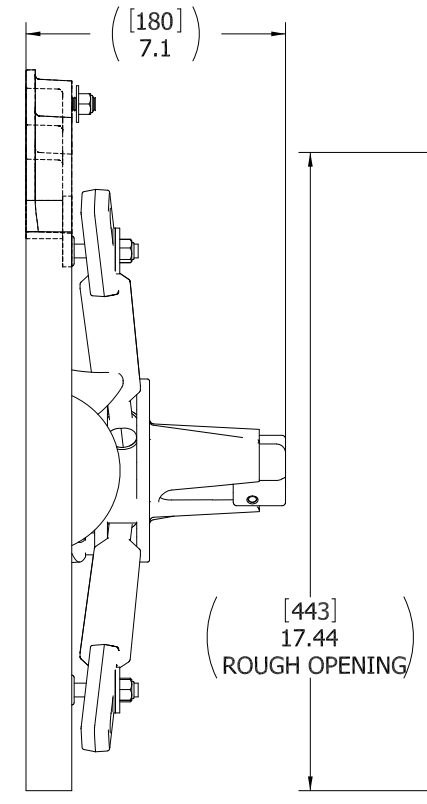
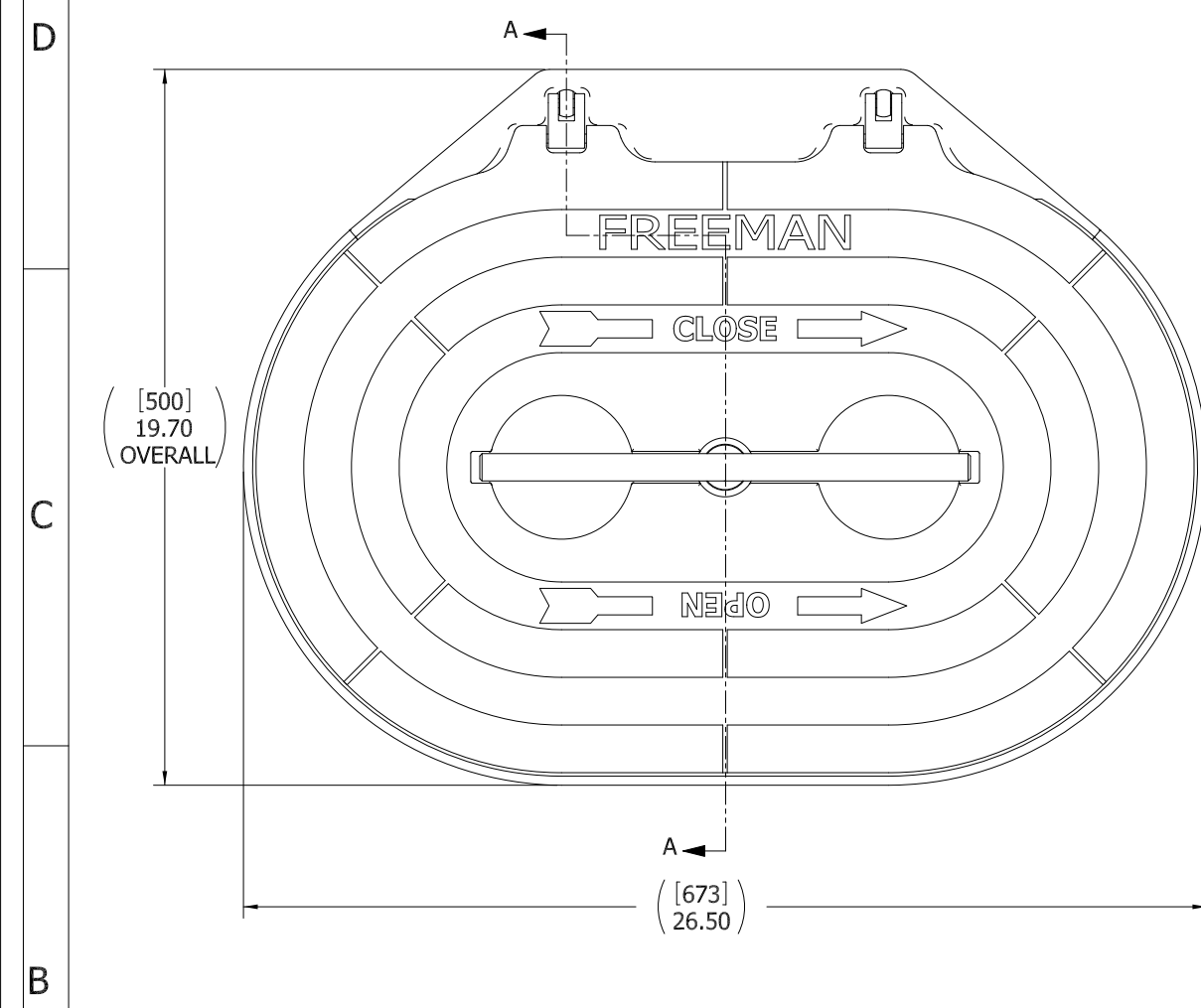


8 7 6 5 4 3 2 1



- 10. FOR SPECIFIC INFORMATION CONTACT SALES.
- 9. COMPLETE ASSEMBLY WEIGHT W/ DECK RING, 39.6LBS/ 17.9K.
- 8. DOGGING PRESSURE FULLY ADJUSTABLE.
- 7. HANDLE POSITION TOPSIDE INDICATES WHETHER DOGGING MECHANISM IS IN OPEN OR CLOSED POSITION.
- 6. ALUMINUM ALLOY MECHANISM SHOWN.
- 5. FLUSH, WATERTIGHT CONSTRUCTION.
- 4. INTEGRAL TOPSIDE "T" HANDLE STANDARD, OTHER TOPSIDE ACTUATION AVAILABLE.
- 3. STEEL FLANGE, FLANGE WELDED FOR INSTALLATION.
- 2. QUICK-ACTING, MECHANISM ENGAGES OR DISENGAGES IN QUARTER-TURN OF CENTER SPINDLE.
- 1. 15.0" x 24.0" CLEAR OPENING, ALL DIMENSIONS SHOWN SUBJECT TO CASTING VARIATION AND ARE REFERENCE ONLY.

NOTES: UNLESS OTHERWISE SPECIFIED.

REV.	DESCRIPTION	DATE	DRAWN
-	INITIAL RELEASE	11NOV96	MWF
A	REDRAWN IN SOLIDWORKS, REMOVE ESCAPE HANDLE	18AUG09	PPC
B	UPDATE GEN. NOTES & B.O.M.	04NOV11	PPC

SPECIFICATIONS SUBJECT TO CHANGE WITHOUT NOTICE.

PROJECTION

UNLESS OTHERWISE SPECIFIED DIMENSIONS ARE IN INCHES. TOLERANCES FOR ROUGH AND CLEAR OPENINGS: .125 INCH. ALL OTHERS ARE:
 .X .XX .XXX ANGLES
 ±.1 ±.03 ±.010 ±2°

DO NOT SCALE DRAWING

FREEMAN MARINE EQUIPMENT, INC.		28336 HUNTER CREEK ROAD GOLD BEACH, OR 97444 U.S.A. PHONE: 541-247-7078 FAX: 541-247-2114 www.freemanmarine.com	
		CLIENT:	FREEMAN MARINE EQUIPMENT
DRAWN: P. CANCELLIERI DATE: 18AUG09 CHECKED: DATE: ENGR: DATE: DESIGN ACTIVITY: DATE: CONTRACT NO.:		TITLE:	HATCH: 1524-H AL COVER, MS RING
SIZE	D	CAGE CODE	64747
DRAWING NUMBER			2473-0003
REV.	B	SCALE: 1:2.5	CALC. WT. ACT. WT. SHEET 1 OF 3

A

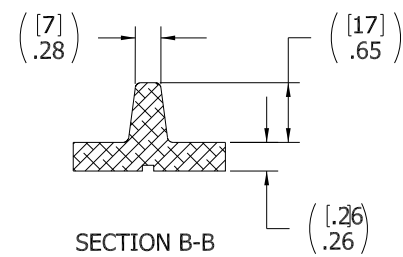
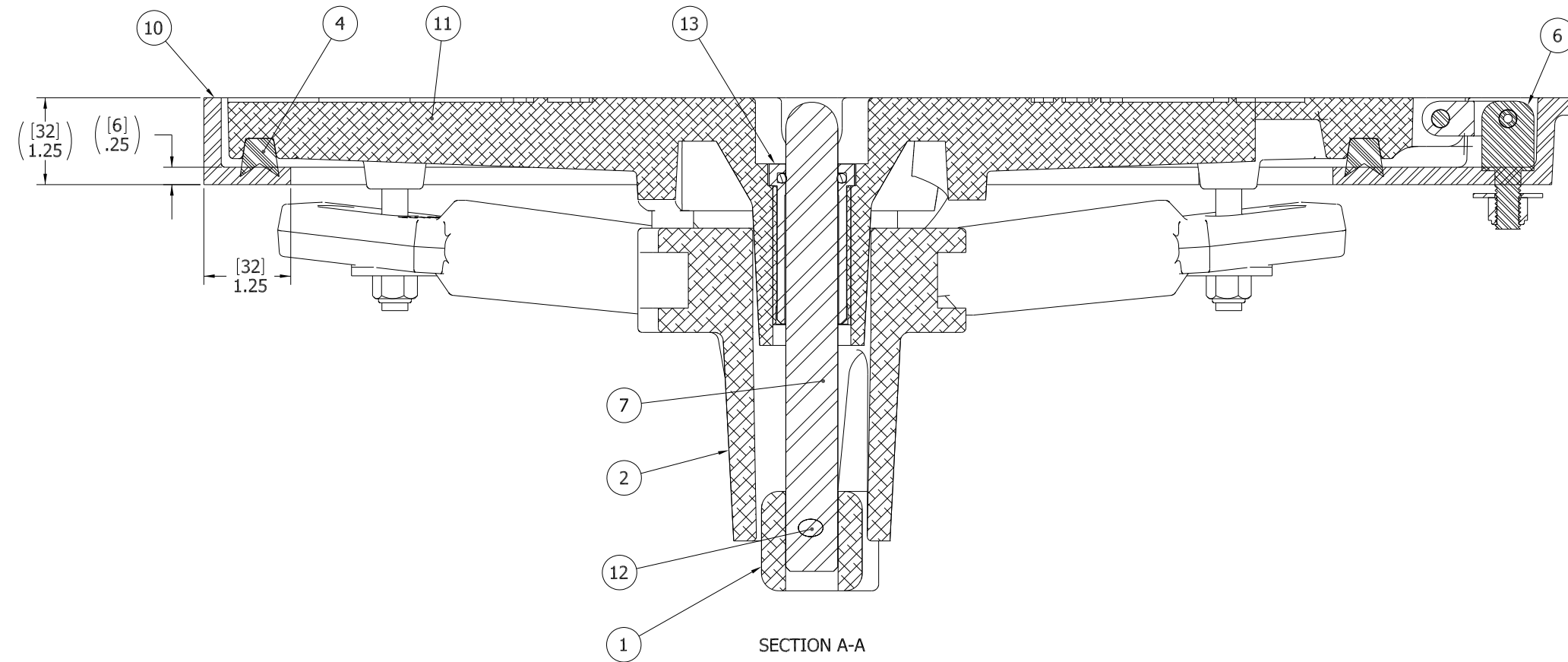
B

C

D

8 7 6 5 4 3 2 1

D
C
B
A



ITEM NO.	QTY.	PART NUMBER	DESCRIPTION	MATERIAL
13	1	0031-2058	BUSHING ASSY, W/O-RING, NO SLEEVE	ACETRON/RUBBER
12	1	0411-2004	PIN KNURLED .25 X 2.25IN SS 316	SS 316/316L
11	1	2473-3001	COVER: 1524-H	ALUMINUM, A356.0-F
10	1	2473-1003	RING, 15 X 24 H	STEEL, MILD
9	4	0411-2033	WASHER .406 X 1.25 X .125IN SS 316	SS 316/316L
8	4	0411-2032	NUT .375IN-16 SS 316 NYLOCK	SS 316/316L
7	1	0021-2005	HANDLE, S/S, ROUND BAR	STAINLESS STEEL, 316
6	2	0461-2072	HINGE, DOUBLE ACTING	REF S/A - B.O.M.
5	4	0413-2005	WASHER, .406 X 1.250 X .062 NYLON	NYLON
4	1	9801-2005	GASKET: 1524 (5.58 FT. OF 0631-9801)	NEOPRENE
3	4	0211-2004	DOG, LOCKING ARM 1524, AL	ALUMINUM, 535.2-F
2	1	0011-2002	HUB, AL, 4 HOLE	ALUMINUM, 535.2-F
1	1	0112-2001	ACTUATOR, AL	ALUMINUM, 535

REV.	DESCRIPTION	DATE	DRAWN
-	INITIAL RELEASE	11NOV96	MWF
A	REDRAWN IN SOLIDWORKS, REMOVE ESCAPE HANDLE	18AUG09	PPC
B	UPDATE GEN. NOTES & B.O.M.	04NOV11	PPC

SPECIFICATIONS SUBJECT TO CHANGE WITHOUT NOTICE.

PROJECTION

UNLESS OTHERWISE SPECIFIED DIMENSIONS ARE IN INCHES. TOLERANCES FOR ROUGH AND CLEAR OPENINGS: .125 INCH. ALL OTHERS ARE:
 .X .XX .XXX ANGLES
 ±.1 ±.03 ±.010 ±2°

DO NOT SCALE DRAWING

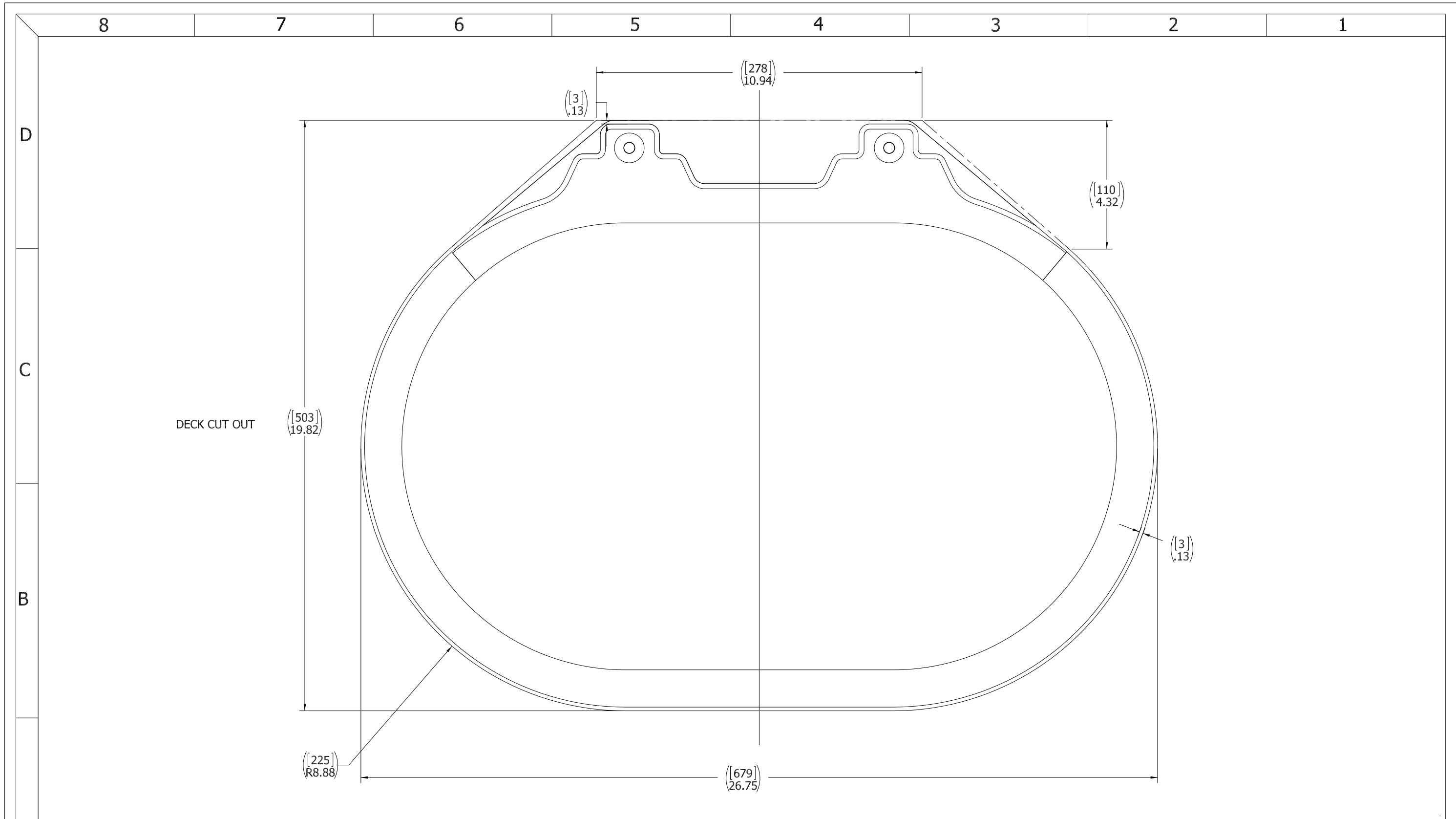
FREEMAN MARINE EQUIPMENT, INC.
 28336 HUNTER CREEK ROAD
 GOLD BEACH, OR 97444 U.S.A.
 PHONE: 541-247-7078 FAX: 541-247-2114
 www.freemanmarine.com

CLIENT: FREEMAN MARINE EQUIPMENT

TITLE: HATCH: 1524-H
 AL COVER, MS RING

SIZE: D CAGE CODE: 64747 DRAWING NUMBER: 2473-0003 REV. B

SCALE: 1:1



- 3. FINISH: 125 RMS MAX.
- 2. BREAK SHARP EDGES AND DEBURR.
- 1. MATERIAL: REF. S/A - B.O.M.

NOTES: UNLESS OTHERWISE SPECIFIED.

CUSTOMER APPROVAL

Signature: _____
 Date: _____

IMPORTANT! THIS DRAWING SUPERSEDES ALL OTHER DOCUMENTS. By signing this approval you accept and agree that the dimensions and details shown are correct and properly fit your application, regardless of any differences between this drawing and any contract specifications. Should you see any errors in the drawing, or have any questions, please contact your Freeman Marine sales engineer for clarification.

REV.	DESCRIPTION:	DATE:	DRAWN
-	INITIAL RELEASE	11NOV96	MWF
A	REDRAWN IN SOLIDWORKS, REMOVE ESCAPE HANDLE	18AUG09	PPC
B	UPDATE GEN. NOTES & B.O.M.	04NOV11	PPC

SPECIFICATIONS SUBJECT TO CHANGE WITHOUT NOTICE.

PROJECTION

UNLESS OTHERWISE SPECIFIED DIMENSIONS ARE IN INCHES. TOLERANCES FOR ROUGH AND CLEAR OPENINGS: .125 INCH. ALL OTHERS ARE:
 .X .XX .XXX ANGLES
 ±.1 ±.03 ±.010 ±2°

DO NOT SCALE DRAWING

FREEMAN MARINE EQUIPMENT, INC. <small>CONFIDENTIAL PROPERTY OF FREEMAN MARINE EQUIPMENT, INC. UNLESS OTHERWISE SPECIFIED. ALL RIGHTS RESERVED. THE REPRODUCTION OR DISTRIBUTION OF THIS DRAWING WITHOUT THE WRITTEN PERMISSION OF FREEMAN MARINE EQUIPMENT, INC. IS STRICTLY PROHIBITED. © ALL RIGHTS RESERVED 2012, FREEMAN MARINE EQUIPMENT, INC.</small>		28336 HUNTER CREEK ROAD GOLD BEACH, OR 97444 U.S.A. PHONE: 541-247-7078 FAX: 541-247-2114 www.freemanmarine.com	
		CLIENT: FREEMAN MARINE EQUIPMENT	
DRAWN: P.CANCELLIERI DATE: 18AUG09 CHECKED: DATE: _____ ENGR: DATE: _____ DESIGN ACTIVITY: DATE: _____ CONTRACT NO.: _____		TITLE: HATCH: 1524-H AL COVER, MS RING	
SIZE: D	CAGE CODE: 64747	DRAWING NUMBER: 2473-0003	REV. B
SCALE: 2:3	CALC WT.	ACT. WT.	SHEET 3 OF 3