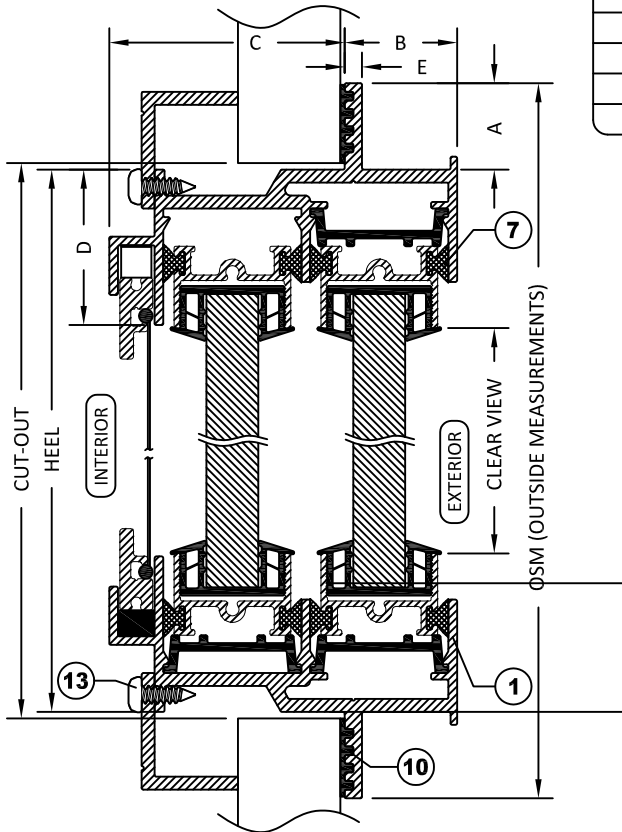
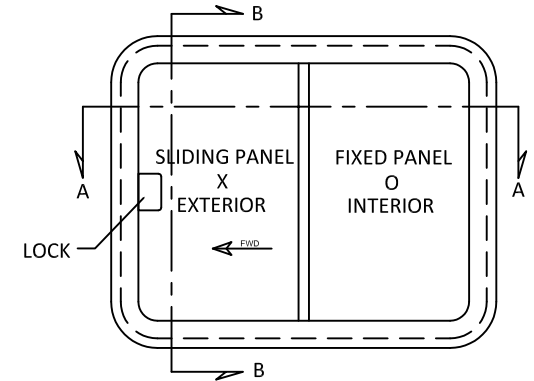


OPTIONAL BOLT-ON INSTALLATION

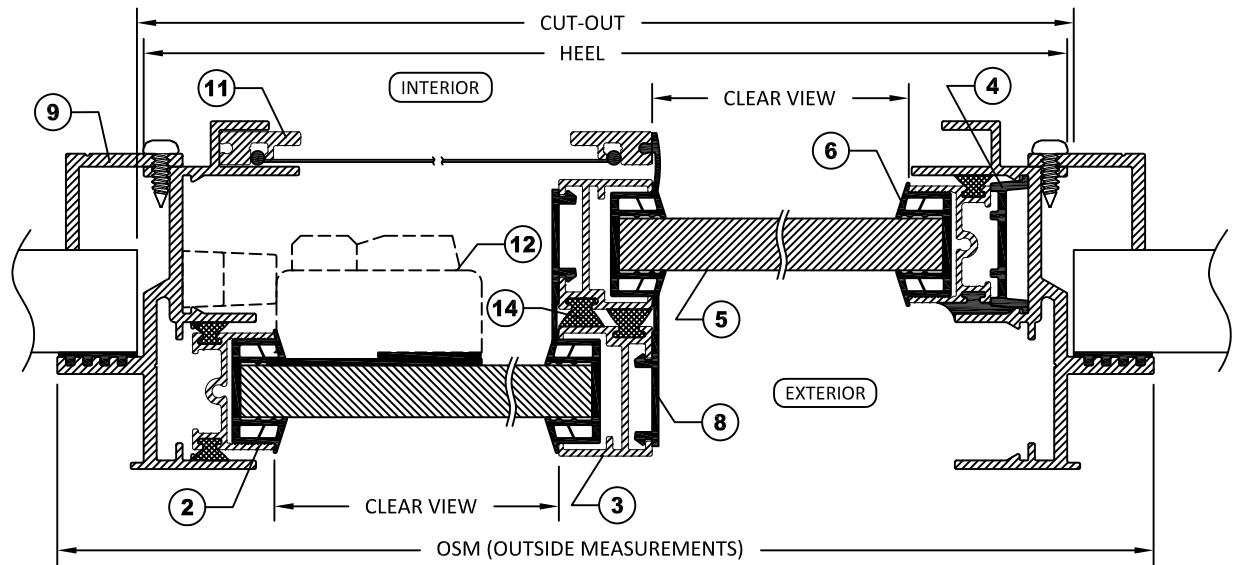


SECTION B-B WITH CLAMP IN INSTALLATION

ITEMS			
ID	DESCRIPTION	MATERIAL	PART NUMBER
1	MOUNTING FRAME	6063 ALUMINUM	MT-EX16514
2	VENT	6063 ALUMINUM	MT-EX782413
3	T-BAR	6063 ALUMINUM	MT-EX780989
4	TRACK	RIDGID PVC	AD-VY2203
5	GLAZING	GLASS 12mm (1/2") TO 19mm (3/4")	
6	GLAZING MATERIAL	FLEXIBLE PVC (SOME CONFIG.)	AD-VY3035
7	WEATHER STRIP W/O FIN	HAIR	AD - WS270_7532
8	T-BAR FLAP 400	FLEXIBLE PVC/ RIDGID PVC	AD-VY1370
9	TRIM RING	6063 ALUMINUM	
10	BEDDING COMPOUND	CUSTOMER SUPPLY	
11	SCREEN (OPTIONAL)	6063 ALUMINUM	
12	LOCK	NYLON	HW-CU5539
13	TRIM SCREWS		
14	T-BAR WEATHER STRIP W/FIN	HAIR	AD - WS187_8335D5



STANDARD DIMENSIONS		
ID	DESCRIPTION	DIMENSION
A	FLANGE COVERAGE	20mm (13/16")
B	EXTERIOR PROTRUSION	26mm (1")
C	INTERIOR PROTRUSION	54mm (2 1/8")
D	SPIGOT TO CLEAR VIEW	36mm (1 7/16")
E	FLANGE THICKNESS	4mm (3/16")



SECTION A-A WITH CLAMP IN INSTALLATION

NOTES:

- GENERAL HEEL TOLERANCE +0/-1/4" OVERALL
- AVAILABLE WITH 3"(76MM) RADIUS OR MITERED CORNERS
- STANDARD MOUNTING HOLES ARE 3/16" WITH #10 COUNTERSUNK ON 6" NOMINAL CENTERS

DRAWING NUMBER

400S

DIAMOND SEA GLAZE MANUFACTURING LTD.
26995 GLOUCESTER WAY, LANGLEY B.C.
CANADA V4W 3Y3
TOLL FREE: 1-800-770-0455
PHONE: 604-607-0091
FAX: 604-607-0092



SCALE

NTS

BY

LD

ITEM NAME

400S

REVISION

1

ALL DRAWINGS AND ANY ASSOCIATED INFORMATION HEREON CONTAIN PROPRIETARY AND/OR CONFIDENTIAL INFORMATION, AND SHALL NOT BE REPRODUCED, DISCLOSED OR SUBMITTED TO ANY THIRD PARTY WITHOUT PRIOR CONSENT FROM DIAMOND SEA GLAZE MANUFACTURING LTD.

ITEM DESCRIPTION

SLIDING OPENING WINDOW