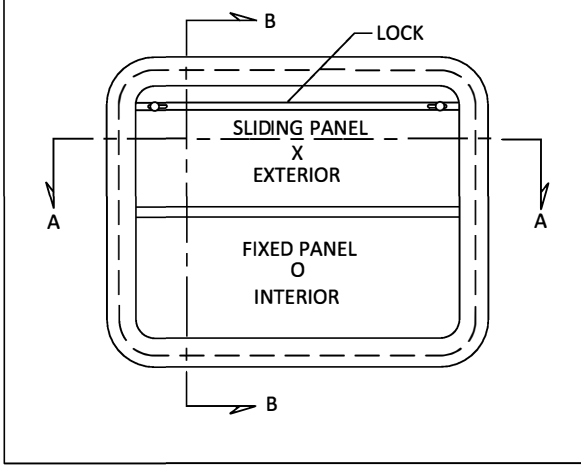
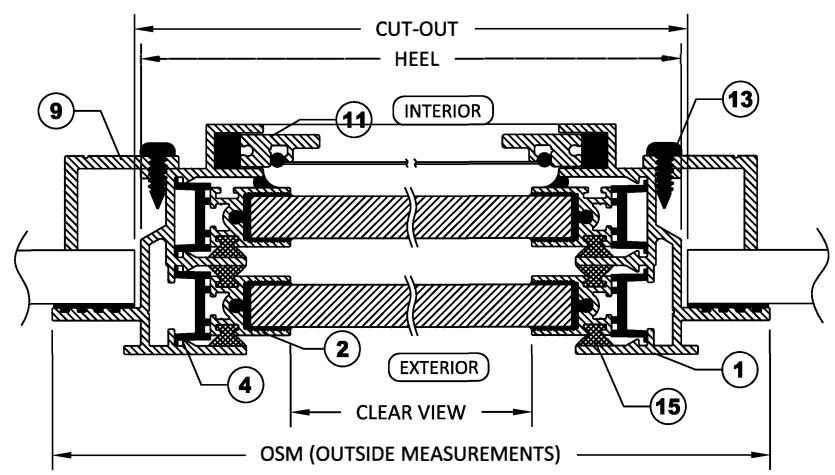


SECTION B-B WITH CLAMP IN INSTALLATION

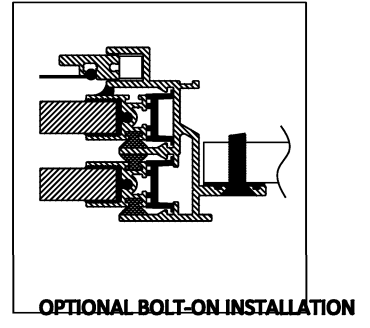
ITEMS			
ID	DESCRIPTION	MATERIAL	PART NUMBER
1	MOUNTING FRAME	6063 ALUMINUM	MT-EX17698
2	VENT	6063 ALUMINUM	MT-EX782146
3	T-BAR	6063 ALUMINUM	MT-EX780989
4	TRACK	RIDGID PVC	AD-VY1802
5	GLAZING	GLASS 6mm (1/4") TO 10mm (3/8")	
6	GLAZING MATERIAL	URETHANE	
7	PLUG/STOP	FLEXIBLE PVC	AD-VY2170BM
8	106 T-BAR FLAP	FLEXIBLE PVC	AD-VY1801A
9	TRIM RING	6063 ALUMINUM	
10	BEDDING COMPOUND	CUSTOMER SUPPLY	
11	SCREEN (OPTIONAL)	6063 ALUMINUM	
12	MULTI LOCK	6063 ALUMINUM	
13	TRIM SCREWS	S.S.	
14	T-BAR WEATHER STRIP W/FIN	HAIR	AD - WS187_8335D5
15	WEATHER STRIP W/O FIN	HAIR	AD - WS270_7532



STANDARD DIMENSIONS		
ID	DESCRIPTION	DIMENSION
A	FLANGE COVERAGE	21mm (13/16")
B	EXTERIOR PROTRUSION	11mm (7/16")
C	INTERIOR PROTRUSION	44mm (1 11/16")
D	SPIGOT TO CLEARVIEW	35mm (1 3/8")
E	FLANGE THICKNESS	3mm (1/8")



SECTION A-A WITH CLAMP IN INSTALLATION



NOTES:
 -GENERAL HEEL TOLERANCE +0/-1/4" OVERALL
 -AVAILABLE WITH 3"(76MM) RADIUS OR MITERED CORNERS
 -STANDARD MOUNTING HOLES ARE 3/16" WITH #10 COUNTERSUNK

DRAWING NUMBER 106HD
SCALE NTS
BY LD
 DIAMOND SEA GLAZE MANUFACTURING LTD.
 26995 GLOUCESTER WAY, LANGLEY B.C.
 CANADA V4W 3Y3
 TOLL FREE: 1-800-770-0455
 PHONE: 604-607-0091
 FAX: 604-607-0092

ITEM NAME 106HD
REVISION 1
ITEM DESCRIPTION SLIDING OPENING WINDOW

ALL DRAWINGS AND ANY ASSOCIATED INFORMATION HEREON CONTAIN PROPRIETARY AND/OR CONFIDENTIAL INFORMATION, AND SHALL NOT BE REPRODUCED, DISCLOSED OR SUBMITTED TO ANY THIRD PARTY WITHOUT PRIOR CONSENT FROM DIAMOND SEA GLAZE MANUFACTURING LTD.