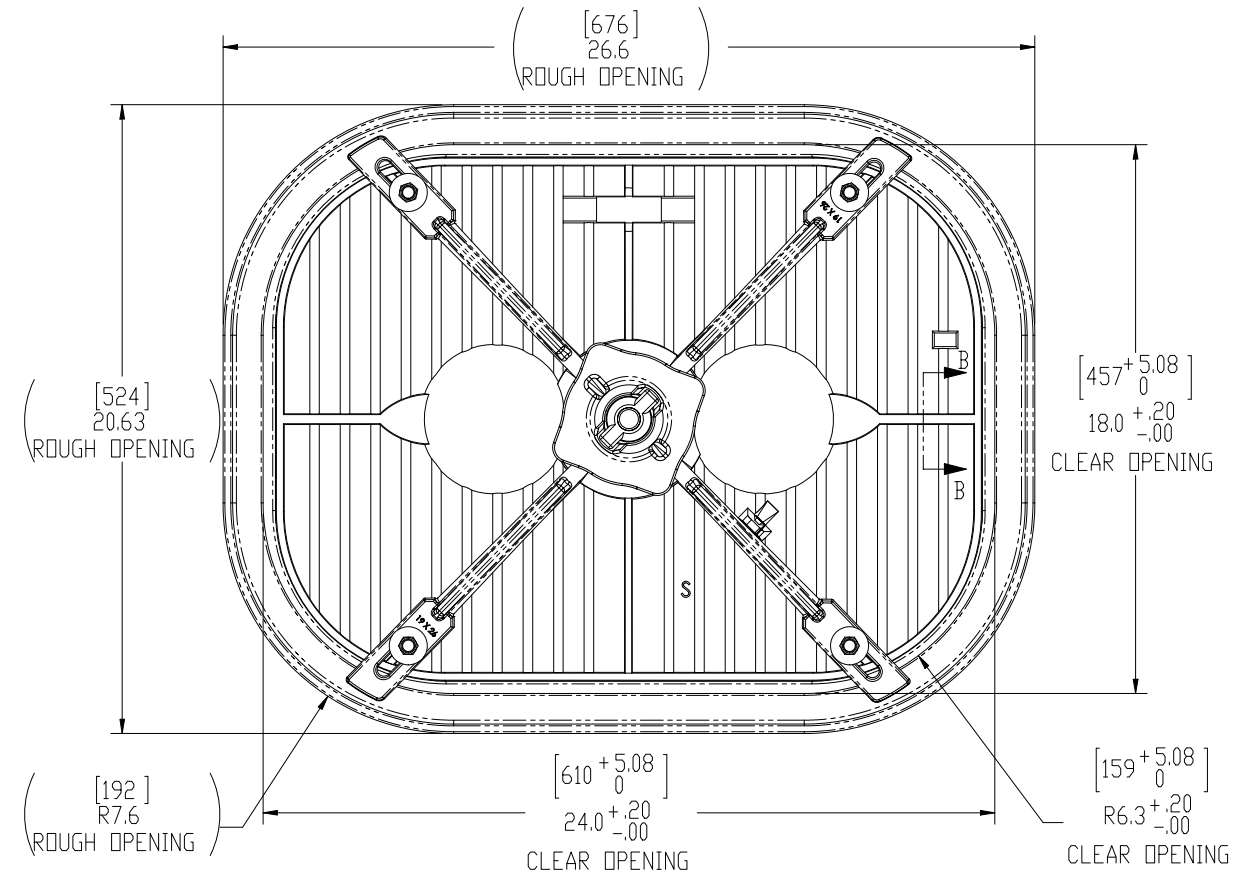
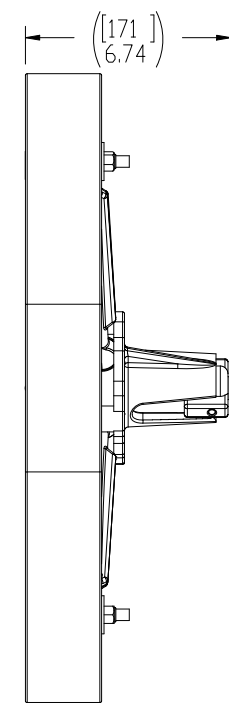
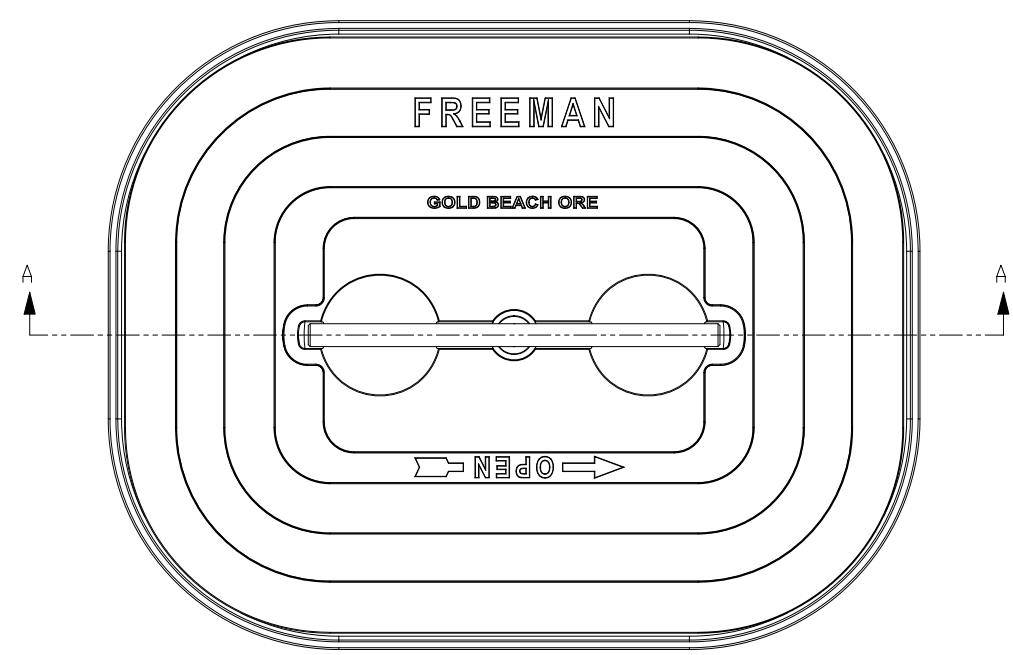


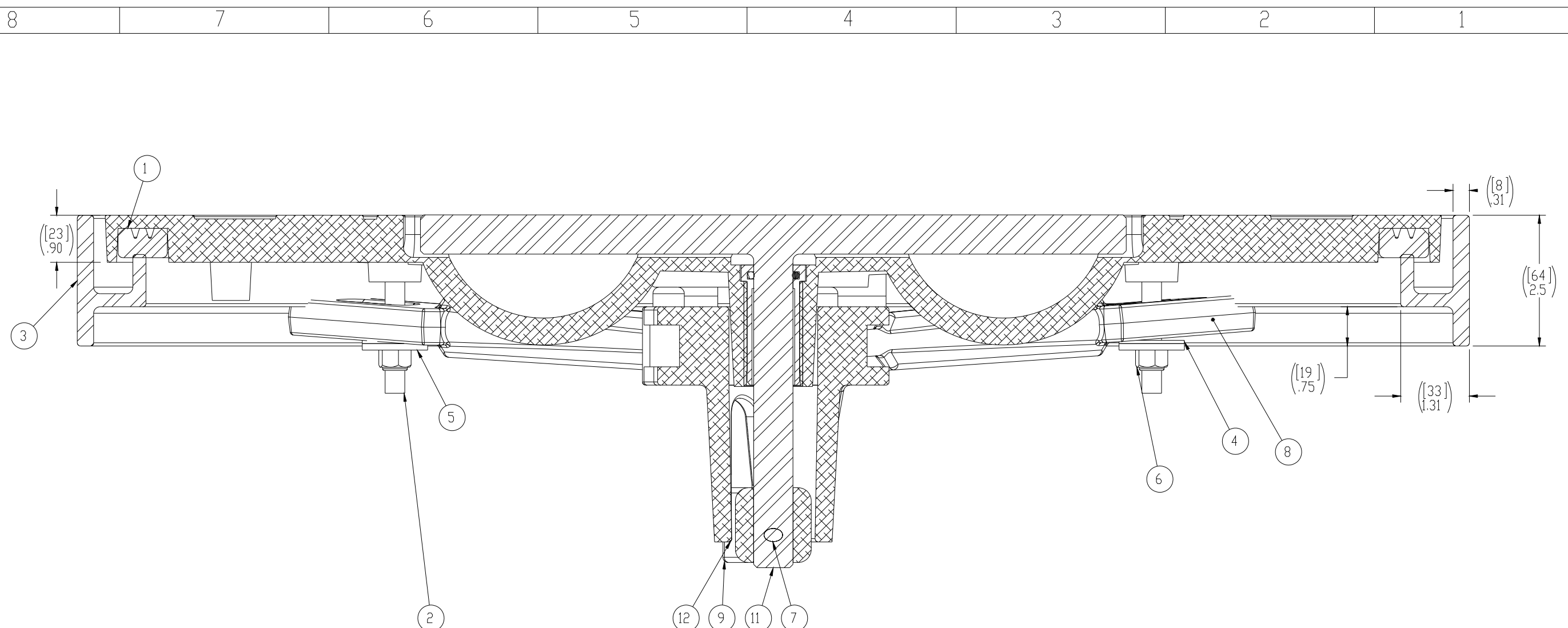
8 7 6 5 4 3 2 1



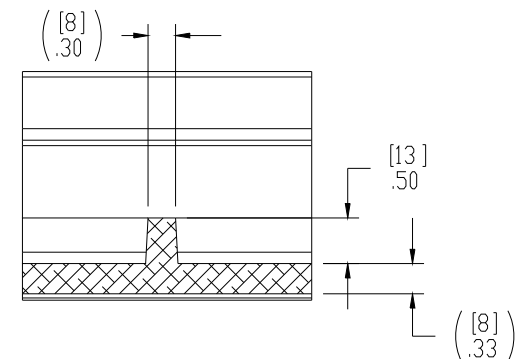
- 10. FOR SPECIFIC INFORMATION CONTACT SALES.
- 9. COMPLETE ASSEMBLY WEIGHT W/ DECK RING, 50LBS
- 8. DOGGING PRESSURE FULLY ADJUSTABLE.
- 7. HANDLE POSITION TOPSIDE INDICATES WHETHER DOGGING MECHANISM IS IN OPEN OR CLOSED POSITION.
- 6. ALUMINUM ALLOY MECHANISM SHOWN.
- 5. FLUSH, WATERTIGHT CONSTRUCTION.
- 4. INTEGRAL TOPSIDE "T" HANDLE STANDARD, OTHER TOPSIDE ACTUATION AVAILABLE.
- 3. MILD STEEL RING, RING CAN BE WELDED.
- 2. QUICK-ACTING, MECHANISM ENGAGES OR DISENGAGES IN QUARTER-TURN OF CENTER SPINDLE.
- 1. 18.1 x 24.0" CLEAR OPENING, ALL DIMENSIONS SHOWN SUBJECT TO CASTING VARIATION AND ARE REFERENCE ONLY.

NOTES: UNLESS OTHERWISE SPECIFIED.

SPECIFICATIONS SUBJECT TO CHANGE WITHOUT NOTICE.		<b>FREEMAN</b> MARINE EQUIPMENT, INC.		28336 HUNTER CREEK ROAD GOLD BEACH, OR 97444 U.S.A. PHONE: 541-247-7078 FAX: 541-247-2114 www.freemanmarine.com	
PROJECTION		UNLESS OTHERWISE SPECIFIED DIMENSIONS ARE IN INCHES. TOLERANCES FOR ROUGH AND CLEAR OPENING ± .125 INCH. ALL OTHERS ARE:		CLIENT: FREEMAN MARINE	
.X .XX .XXX ANGLES ±.1 ±.03 ±.010 ±2°		DO NOT SCALE DRAWING		TITLE: HATCH: 1824K, AL COVER, MILD STEEL RING W/ INTEGRAL TOPSIDE HANDLE	
A PRODUCTION RELEASE		28MAY13 ZJC		SIZE: D	
REV. DESCRIPTION		DATE DRAWN		CAGE CODE: 64747	
				DRAWING NUMBER: 2421-0003	
				SCALE: 1:3	
				SHEET 1 OF 3	



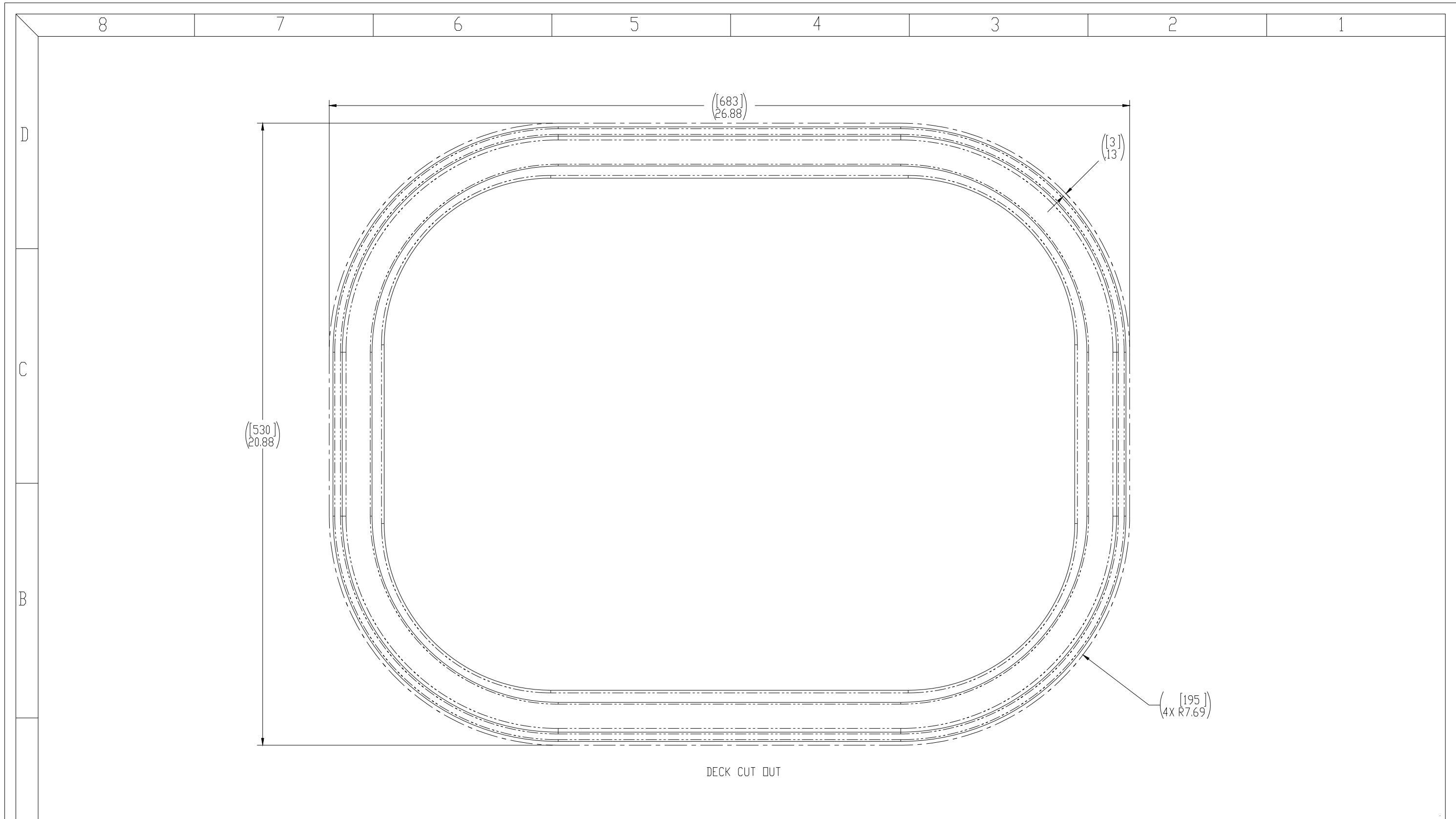
SECTION A-A  
SCALE 1 : 1



SECTION B-B  
SCALE 1 : 1

ITEM NO.	QTY.	PART NUMBER	DESCRIPTION	MATERIAL
12	1	0011-2002	HUB, AL, 4 HOLE	ALUMINUM, 535.2-F
11	1	0021-2005	HANDLE, S/S, ROUND BAR	STAINLESS STEEL, 316
10	1	0031-2058	BUSHING ASSY, W/O-RING, NO SLEEVE	ACETRON/RUBBER
9	1	0112-2001	ACTUATOR, AL	ALUMINUM, 535
8	4	0211-2007	DOG, LOCKING ARM	ALUMINUM, 535.2-F
7	1	0411-2004	PIN, KNURLED, 1/4 X 2-1/4, 316 S/S	STAINLESS STEEL, 316L
6	4	0411-2032	LOCKNUT, NYLON INSERT, 3/8-16, 316 S/S	STAINLESS STEEL, 316
5	4	0411-2033	WASHER, .406 X 1.25 X .125, 316 S/S	STAINLESS STEEL, 316
4	4	0413-2005	WASHER, .406 X 1.250 X .062 NYLON	NYLON
3	1	2421-1003	RING: 1824K MILD STEEL (0615-9001)	MILD STEEL
2	1	2421-3001	COVER: 1824 ALUM, FINISHED CASTING	ALUMINUM, 356
1	1	9813-2009	GASKET	NEOPRENE

SPECIFICATIONS SUBJECT TO CHANGE WITHOUT NOTICE.		<b>FREEMAN MARINE EQUIPMENT, INC.</b> 28336 HUNTER CREEK ROAD GOLD BEACH, OR 97444 U.S.A. PHONE: 541-247-7078 FAX: 541-247-2114 WWW.FREEMANMARINE.COM	
PROJECTION		CLIENT: FREEMAN MARINE	
UNLESS OTHERWISE SPECIFIED DIMENSIONS ARE IN INCHES. TOLERANCES FOR ROUGH AND CLEAR OPENING ± .125 INCH. ALL OTHERS ARE:		TITLE: HATCH: 1824K, AL COVER, MILD STEEL RING W/ INTEGRAL TOPSIDE HANDLE	
X XX XXX ANGLES ±.1 ±.03 ±.010 ±2°		CONTRACT NO:	
DO NOT SCALE DRAWING		DRAWN: Z. CARPENTER DATE: 28MAY13 CHECKED: D. YONES DATE: ENGR: DATE: DESIGN ACTIVITY: DATE:	
A PRODUCTION RELEASE 28MAY13 ZJC		SIZE: D CAGE CODE: 64747 DRAWING NUMBER: 2421-0003 REV. A	
REV. DESCRIPTION DATE DRAWN		SCALE: 1:4 CALC. WT. ACT. WT. SHEET 2 OF 3	



DECK CUT OUT

- 3. FINISH: 125 RMS MAX.
  - 2. BREAK SHARP EDGES AND DEBURR.
  - 1. MATERIAL: Material <not specified>
- NOTES: UNLESS OTHERWISE SPECIFIED.

CUSTOMER APPROVAL

Signature: \_\_\_\_\_  
 Date: \_\_\_\_\_

IMPORTANT! THIS DRAWING SUPERSEDES ALL OTHER DOCUMENTS.  
 By signing this approval you accept and agree that the dimensions and details shown are correct and properly fit your application, regardless of any differences between this drawing and any contract specifications. Should you see any errors in the drawing, or have any questions, please contact your Freeman Marine sales engineer for clarification.

REV.	DESCRIPTION	DATE	DRAWN
A	PRODUCTION RELEASE	28MAY13	ZJC

SPECIFICATIONS SUBJECT TO CHANGE WITHOUT NOTICE.

PROJECTION

UNLESS OTHERWISE SPECIFIED DIMENSIONS ARE IN INCHES. TOLERANCES FOR ROUGH AND CLEAR OPENING ± .125 INCH. ALL OTHERS ARE:  
 .X .XX .XXX ANGLES  
 ±.1 ±.03 ±.010 ±2°

DO NOT SCALE DRAWING

<b>FREEMAN</b> MARINE EQUIPMENT, INC.		28336 HUNTER CREEK ROAD GOLD BEACH, OR 97444 U.S.A. PHONE: 541-247-7078 FAX: 541-247-2114 www.freemarmarine.com	
		CLIENT: FREEMAN MARINE	
<small>CONFIDENTIAL PROPERTY OF FREEMAN MARINE EQUIPMENT, INC.          UNLESS OTHERWISE SPECIFIED, ALL DIMENSIONS ARE TO BE TAKEN FROM THE SHOWN SURFACE.          © ALL RIGHTS RESERVED 2012, FREEMAN MARINE EQUIPMENT, INC.</small>		TITLE: HATCH: 1824K, AL COVER, MILD STEEL RING W/ INTEGRAL TOPSIDE HANDLE	
DRAWN: Z. CARPENTER CHECKED: D. YDES ENGR: _____ DESIGN ACTIVITY: _____ CONTRACT NO: _____	DATE: 28MAY13 DATE: _____ DATE: _____	SIZE: D CAGE CODE: 64747 SCALE: 1:1.5	DRAWING NUMBER: 2421-0003 CALC WT: _____ ACT. WT: _____ REV. A SHEET 3 OF 3