

10. FOR SPECIFIC INFORMATION CONTACT SALES.
9. COMPLETE ASSEMBLY WEIGHT W/ DECK RING, 47.7LBS/ 21.6K.
8. DOGGING PRESSURE FULLY ADJUSTABLE.
7. HANDLE POSITION TOPSIDE INDICATES WHETHER DOGGING MECHANISM IS IN OPEN OR CLOSED POSITION.
6. ALUMINUM ALLOY MECHANISM SHOWN.
5. FLUSH, WATERTIGHT CONSTRUCTION.
4. INTEGRAL TOPSIDE "T" HANDLE STANDARD, OTHER TOPSIDE ACTUATION AVAILABLE.
3. CAST ALUMINUM ALLOY FLANGE, FLANGE CAN BE DRILLED FOR BOLTED INSTALLATIONS OR WELDED TO ALUMINUM.
2. QUICK-ACTING, MECHANISM ENGAGES OR DISENGAGES IN QUARTER-TURN OF CENTER SPINDLE.
1. 20.1 X 20.1 CLEAR OPENING, ALL DIMENSIONS SHOWN SUBJECT TO CASTING VARIATION AND ARE REFERENCE ONLY.

NOTES: UNLESS OTHERWISE SPECIFIED.

REV.	DESCRIPTION	DATE	DRAWN
-	INITIAL RELEASE	16APR08	GJM
A	UPDATE GEN NOTES & B.O.M.	13JUL11	PPC

SPECIFICATIONS SUBJECT TO CHANGE WITHOUT NOTICE.

PROJECTION

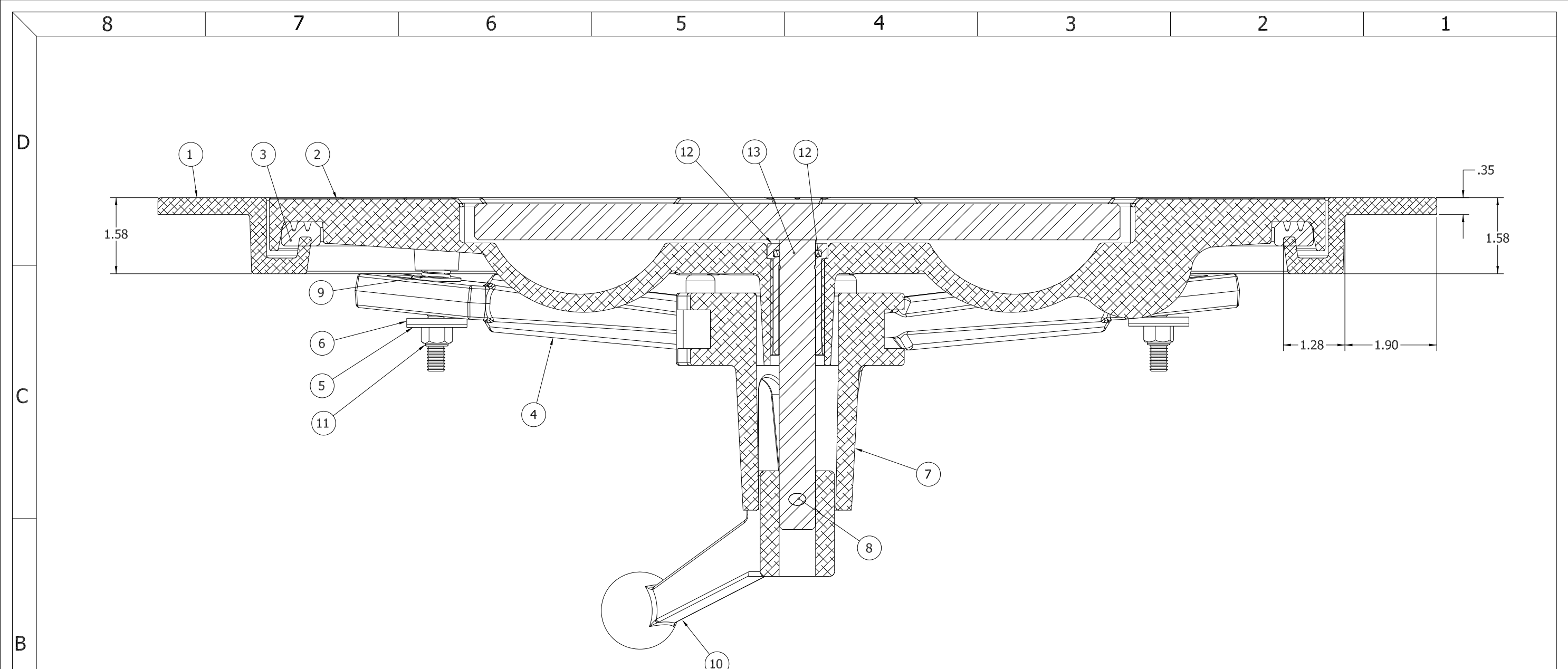
UNLESS OTHERWISE SPECIFIED DIMENSIONS ARE IN INCHES. TOLERANCES FOR ROUGH AND CLEAR OPENINGS: .125 INCH. ALL OTHERS ARE:
 .X .XX .XXX ANGLES
 ±.1 ±.03 ±.010 ±2°

DO NOT SCALE DRAWING

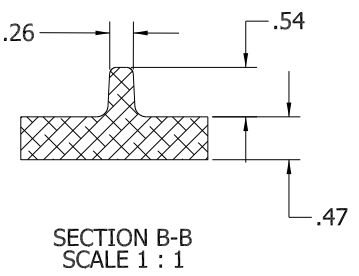
FREEMAN MARINE EQUIPMENT, INC.
 28336 HUNTER CREEK ROAD
 GOLD BEACH, OR 97444 U.S.A.
 PHONE: 541-247-7078 FAX: 541-247-2114
 www.freemanmarine.com

CLIENT: FREEMAN MARINE
 TITLE: HATCH: 2020-K, AL COVER, AL RING, INTEGRAL TOPSIDE HANDLE W/ SPRING LOADED ARMS

SIZE: D CAGE CODE: 64747 DRAWING NUMBER: 2422-0002-0011 REV. A
 SCALE: 1:2.5 CALC. WT. ACT. WT. SHEET 1 OF 2



SECTION A-A
SCALE 1 : 1



SECTION B-B
SCALE 1 : 1

ITEM NO.	QTY.	PART NUMBER	DESCRIPTION	MATERIAL
14	4	0411-2101	WASHER FLAT .375IN SS 316	SS 316/316L
13	1	0021-2050	HANDLE, S/S, ROUND BAR, VERTICAL, GROOVE	STAINLESS STEEL, 316
12	1	0031-2058	BUSHING ASSY, W/O-RING, NO SLEEVE	ACETRON/RUBBER
11	4	0411-2032	NUT .375IN-16 SS 316 NYLOCK	SS 316/316L
10	1	0112-2003	ESCAPE HANDLE, AL	ALUMINUM, 535.2-F
9	4	0431-2039	SPRING, COMPRESSION	SS 302 ASTM-A313 or AMS-5688
8	1	0411-2004	PIN KNURLED .25 X 2.25IN SS 316	SS 316/316L
7	1	0011-2002	HUB, AL, 4 HOLE	ALUMINUM, 535.2-F
6	4	0411-2033	WASHER .406 X 1.25 X .125IN SS 316	SS 316/316L
5	4	0413-2005	WASHER, .406 X 1.250 X .062 NYLON	NYLON
4	4	0211-2009	DOG, LOCKING ARM, 2020, AL	ALUMINUM, 535.2-F
3	1	9813-2002	GASKET, 2020 (5.94' OF 0631-9813)	NEOPRENE
2	1	2422-3041	COVER: 2020 FLAT TOP AL, FINISH CASTING	ALUMINUM, A356.0-F
1	1	2422-1002	RING: 2020 ALUM	ALUMINUM, A356.0-F

REV.	DESCRIPTION:	DATE:	DRAWN:
-	INITIAL RELEASE	16APR08	GJM
A	UPDATE GEN NOTES & B.O.M.	13JUL11	PPC

SPECIFICATIONS SUBJECT TO CHANGE WITHOUT NOTICE.

PROJECTION

UNLESS OTHERWISE SPECIFIED DIMENSIONS ARE IN INCHES. TOLERANCES FOR ROUGH AND CLEAR OPENINGS: .125 INCH. ALL OTHERS ARE:
 .X .XX .XXX ANGLES
 ±.1 ±.03 ±.010 ±2°

DO NOT SCALE DRAWING

FREEMAN MARINE EQUIPMENT, INC.
 28336 HUNTER CREEK ROAD
 GOLD BEACH, OR 97444 U.S.A.
 PHONE: 541-247-7078 FAX: 541-247-2114
 www.freemanmarine.com

CLIENT: **FREEMAN MARINE**

TITLE: **HATCH: 2020-K, AL COVER, AL RING, INTEGRAL TOPSIDE HANDLE W/ SPRING LOADED ARMS**

SIZE	CAGE CODE	DRAWING NUMBER	REV.
D	64747	2422-0002-0011	A

SCALE: 1:4 CALC. WT. ACT. WT. SHEET 2 OF 2