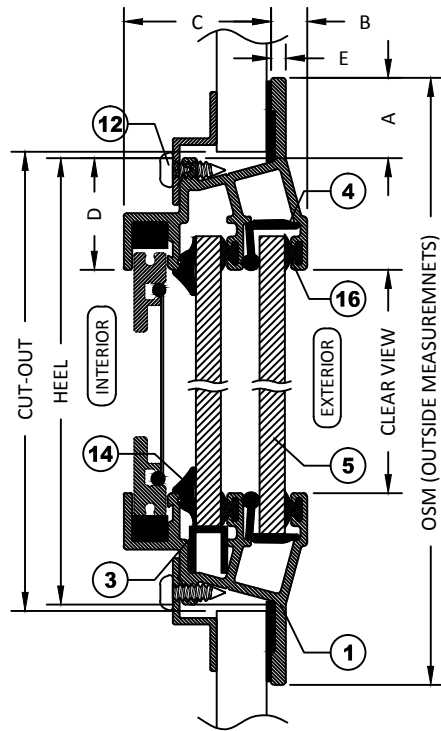


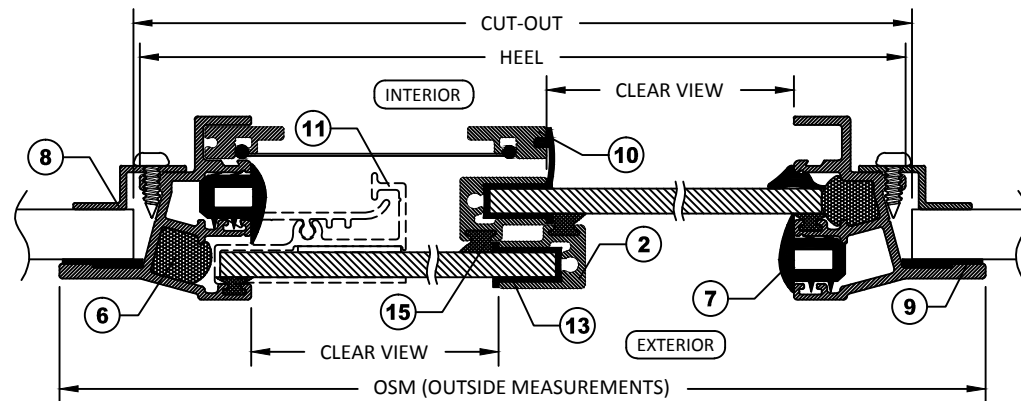
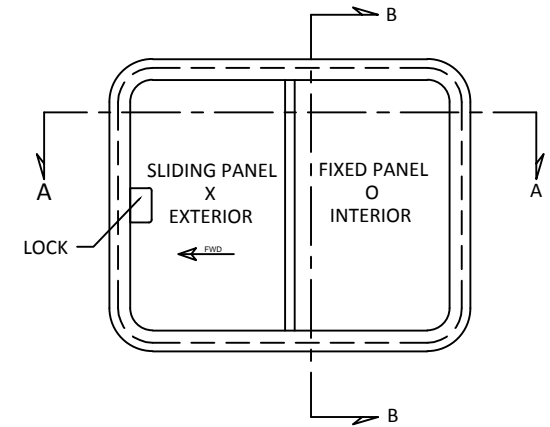
OPTIONAL BOLT-ON INSTALLATION



SECTION B-B WITH CLAMP IN INSTALLATION

ITEMS			
ID	DESCRIPTION	MATERIAL	PART NUMBER
1	MOUNTING FRAME	6063 ALUMINUM	D11383
2	T-BAR	6063 ALUMINUM	D11452
3	"O" TRACK	RIDGID PVC	D10879
4	D15 TRACK	RIDGID PVC	D10900
5	GLAZING	GLASS 6mm (1/4")	D10447
6	BACKER ROD	FOAM	D10842
7	PLUG/STOP	FLEXIBLE PVC	D10902
8	TRIM RING	6063 ALUMINUM	
9	BEDDING COMPOUND	CUSTOMER SUPPLY	
10	SCREEN (OPTIONAL)	6063 ALUMINUM	
11	LOCK	ALUMINUM	
12	TRIM SCREWS	S.S.	D12239
13	VENT VINYL	FLEXIBLE PVC (SOME CONFIG.)	D10906
14	090 GLAZING SPLINE	FLEXIBLE PVC (SOME CONFIG.)	D12225
15	T-BAR WEATHER STRIP W/FIN	HAIR	D10909
16	WEATHER STRIP W/O FIN	HAIR	D10910

STANDARD DIMENSIONS		
ID	DESCRIPTION	DIMENSION
A	FLANGE COVERAGE	19mm (3/4")
B	EXTERIOR PROTRUSION	9mm (3/8")
C	INTERIOR PROTRUSION	35mm (1 3/8")
D	SPIGOT TO CLEAR VIEW	27mm (1 1/16")
E	FLANGE THICKNESS	4mm (3/16")



SECTION A-A WITH CLAMP IN INSTALLATION

NOTES:

- GENERAL HEEL TOLERANCE $\pm 0/-1/4$ " OVERALL
- AVAILABLE WITH 2 1/2" (63mm), 3" (76mm), 3 1/2" (89mm) RADIUS OR MITERED CORNERS
- STANDARD MOUNTING HOLES ARE 3/16" WITH #10 COUNTERSUNK ON 6" NOMINAL CENTERS

DRAWING NUMBER

D15

DIAMOND SEA GLAZE MANUFACTURING LTD.
26995 GLOUCESTER WAY, LANGLEY B.C.
CANADA V4W 3Y3
TOLL FREE: 1-800-770-0455
PHONE: 604-607-0091
FAX: 604-607-0092

SCALE

NTS

BY

LD



Diamond Sea Glaze

ITEM NAME

D15

REVISION

2

ITEM DESCRIPTION

SLIDING OPENING WINDOW

ALL DRAWINGS AND ANY ASSOCIATED INFORMATION HEREON CONTAIN PROPRIETARY AND/OR CONFIDENTIAL INFORMATION, AND SHALL NOT BE REPRODUCED, DISCLOSED OR SUBMITTED TO ANY THIRD PARTY WITHOUT PRIOR CONSENT FROM DIAMOND SEA GLAZE MANUFACTURING LTD.