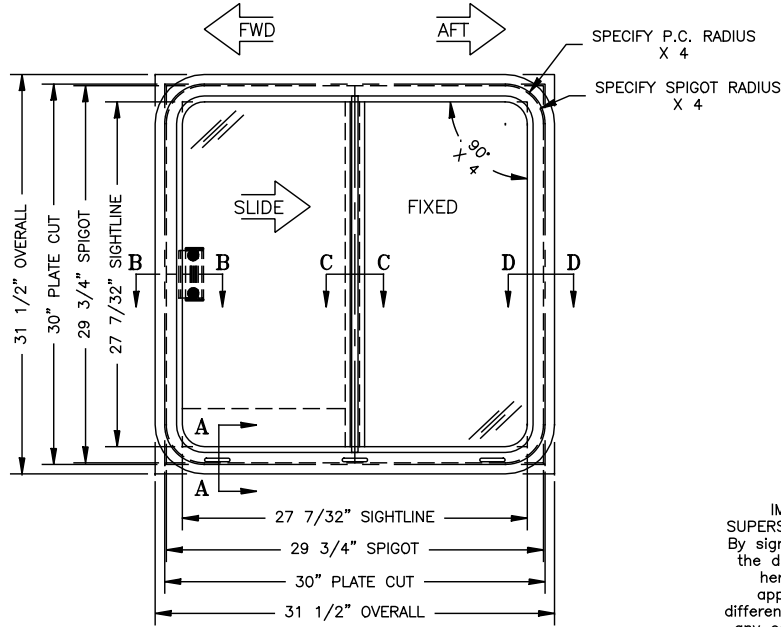


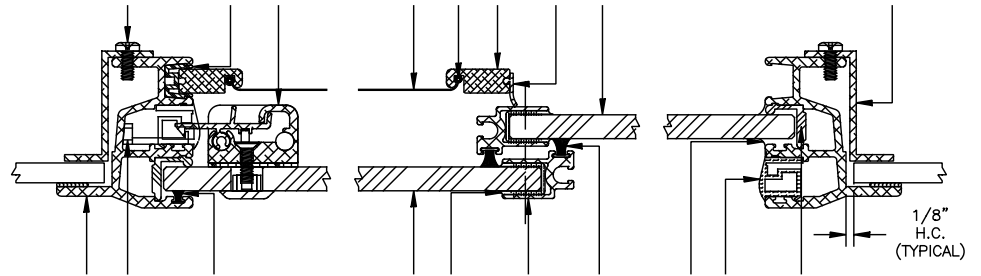
GENERAL NOTES:

- 1) SIZE AND HANDAGE AS SHOWN.
- 2) GLAZING TO BE 3/8" TEMPERED (SPECIFY TINT)

REV	DESCRIPTION	BY	DATE	CHKD



**EXTERIOR ELEVATION**



**SECTION B-B**

**SECTION C-C**

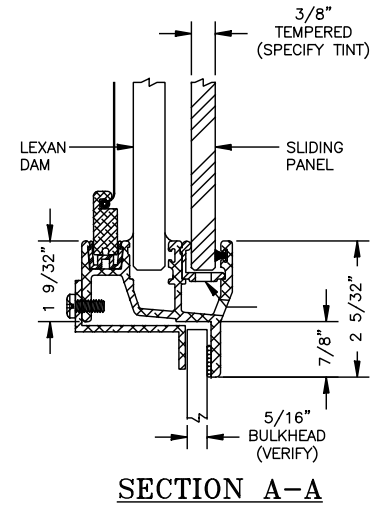
**SECTION D-D**

IMPORTANT! THIS DRAWING SUPERSEDES ALL OTHER DOCUMENTS. By signing this approval you accept the dimensions and details shown here are correct to fit your application regardless of any differences between this drawing and any contract specifications. Should you have any questions or see any errors DO NOT SIGN THIS APPROVAL until the drawing is corrected accordingly.

**CUSTOMER APPROVAL**

BY: \_\_\_\_\_

DATE: \_\_\_\_\_



**SECTION A-A**

POS	QTY	DESCRIPTION	MATERIAL	PART NUMBER
01	REQ.	MAIN FRAME	6063 ALU.	00000010139
02	REQ.	MULLION	6063 ALU.	00000010088
03	REQ.	CLAMP RING	6063 ALU.	00000010165
04	REQ.	HANDLE	VARIES	00000019607
05	REQ.	MULLION BOOT	VINYL	00000017363
06	REQ.	WEATHERSTRIP (MULLION)	POLYPROPYLENE	00000014732
07	REQ.	PLUG RUBBER	RUBBER	00000014709
08	REQ.	GLIDE TRACK	PVC	00000014717
09A	REQ.	GLAZING (SLIDING PANEL)	SEE G.N. 2	CREATE ITEM #
09B	REQ.	GLAZING (FIXED PANEL)	SEE G.N. 2	CREATE ITEM #
10	REQ.	WEATHERSTRIP (FRAME)	POLYPROPYLENE	00000014740
11	REQ.	CLAMP RING FASTENERS	18-8 S.S.	00000015312
12	REQ.	TOE BEAD	URETHANE	00000014682
13	REQ.	HANDLE LATCH	6063 ALU.	00000012385

**SCREEN PARTS**

POS	QTY	DESCRIPTION	MATERIAL	PART NUMBER
14	REQ.	SCREEN FRAME	6063 ALU.	00000010143
15	REQ.	SCREEN SPLINE	RUBBER	00000014731
16	REQ.	SCREEN TRACK	PVC	00000016100
17	REQ.	SCREEN SWEEP	RUBBER	00000014725
18	REQ.	SCREEN MESH	FIBERGLASS	00000019782
	REQ.	SCREEN HANDLE (NOT SHOWN)	S.S.	00000015567

PAINT/FINISH: \_\_\_\_\_

CUSTOMER: \_\_\_\_\_

HULL NO./PROJECT \_\_\_\_\_

P.O. NO. \_\_\_\_\_ S.O. NO. \_\_\_\_\_

ITEM NO. \_\_\_\_\_

BASE MODEL: WIN-1077-375-HS

**PACIFIC COAST MARINE INC.**  
 6000 23rd DRIVE WEST  
 EVERETT, WASHINGTON 98203 USA  
 WWW.PCMII.COM

TITLE: WIN-1077-HS HORIZONTAL SLIDER

DATE: \_\_\_\_\_ DRAWING NO: \_\_\_\_\_ REV. \_\_\_\_\_

DRAWN BY: \_\_\_\_\_ CHECKED BY: \_\_\_\_\_ SHEET: 01 OF 01