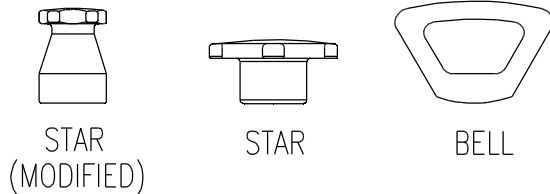
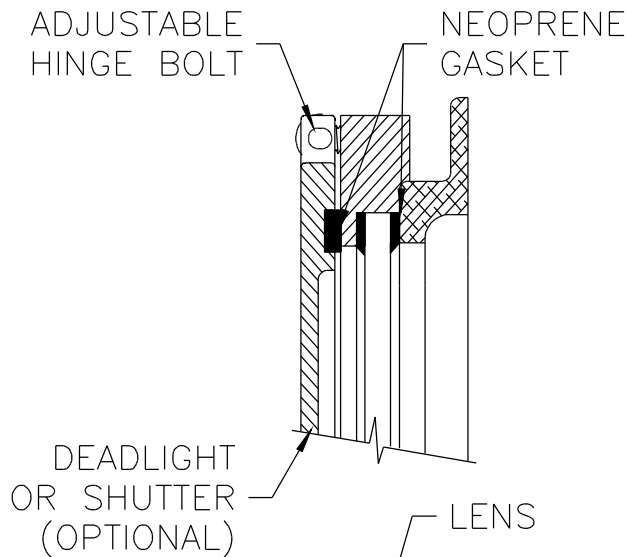


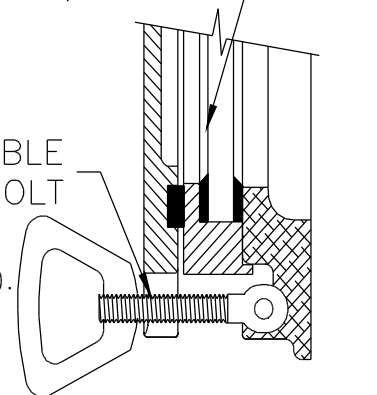
SECTION B-B

FIXED LIGHT W/O COVER

DIMENSION SCHEDULE	
FLANGE TO FLANGE	Ø12.69
CLEAR GLASS	Ø8.25



KNOB OPTIONS



SECTION A-A

FIXED LIGHT W/ COVER

10. FOR SPECIFIC INFORMATION CONTACT SALES. ADJUSTABLE
9. MANY OTHER MODELS & SIZES AVAILABLE. DROP BOLT
8. CLASSIFICATION SOCIETY APPROVALS AVAILABLE.
7. VARIOUS PREP, PRIMER, & PAINT AVAILABLE.
6. SHUTTER OR DEADLIGHT OPTIONAL (DEADLIGHT SHOWN).
5. SPIGOT DEPTH OPTIONAL.
4. PREMIUM DUTY, WATERTIGHT CONSTRUCTION.
3. WILL ACCOMMODATE 3/8" OR 1/2" GLASS OR LEXAN.
2. 9" CLEAR GLASS.
1. FIXED LIGHT (NON-OPENING LENS).

NOTES:

<p><b>FREEMAN</b> MARINE EQUIPMENT INC. 28336 HUNTER CREEK ROAD GOLD BEACH, OREGON 97444 U.S.A. PHONE: 541-247-7078 FAX: 541-247-2114 WWW.FREEMANMARINE.COM</p>	TITLE:		FSCM. NO.	DRAWING NUMBER	REV
	FIXED LIGHT, ROUND, 9 INCH		64747	4105-0001	A
DWN BY: ZA		UNITS: INCH	SCALE: PS: MS		SHEET 1 OF 2
DATE: 24JUNE01		© ALL RIGHTS RESERVED. 2001 FREEMAN MARINE EQUIPMENT, INC. SPECIFICATIONS SUBJECT TO CHANGE WITHOUT NOTICE			
CAD FILENAME: 4100\4105\0001A01.DWG					