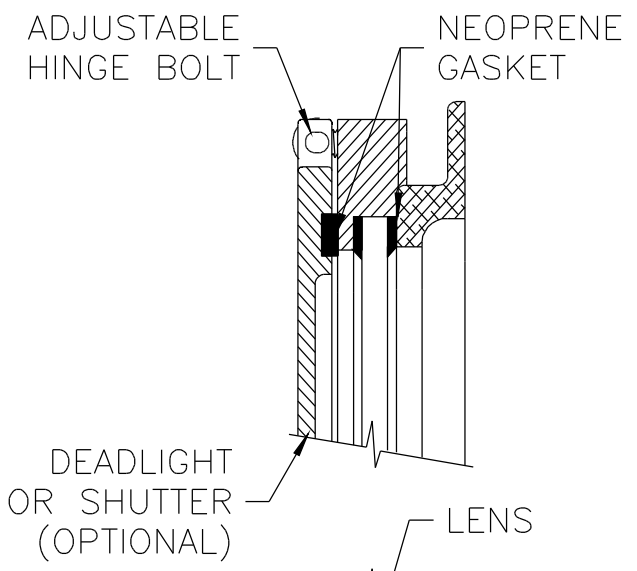
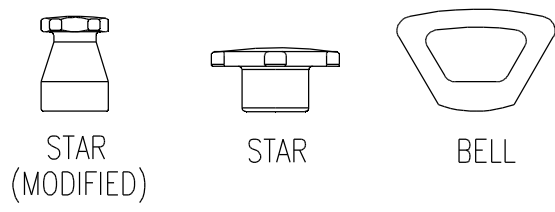


SECTION B-B
FIXED LIGHT W/O COVER

DIMENSION SCHEDULE	
FLANGE TO FLANGE	Ø17.63
CLEAR GLASS	Ø13.18



SECTION A-A
FIXED LIGHT W/ COVER



KNOB OPTIONS

10. FOR SPECIFIC INFORMATION CONTACT SALES. ADJUSTABLE
9. MANY OTHER MODELS & SIZES AVAILABLE. DROP BOLT
8. CLASSIFICATION SOCIETY APPROVALS AVAILABLE.
7. VARIOUS PREP, PRIMER, & PAINT AVAILABLE.
6. SHUTTER OR DEADLIGHT OPTIONAL (DEADLIGHT SHOWN).
5. SPIGOT DEPTH OPTIONAL.
4. PREMIUM DUTY, WATERTIGHT CONSTRUCTION.
3. WILL ACCOMMODATE 3/8" OR 1/2" GLASS OR LEXAN.
2. 13" CLEAR GLASS.
1. FIXED LIGHT (NON-OPENING LENS).

NOTES:

FREEMAN
MARINE EQUIPMENT INC.
28336 HUNTER CREEK ROAD
GOLD BEACH, OREGON 97444 U.S.A.
PHONE: 541-247-7078 FAX:
541-247-2114
WWW.FREEMANMARINE.COM

TITLE: FIXED LIGHT, ROUND, 14.5 INCH

DWN BY: ZA UNITS: INCH DATE: 29JUNE01
CAD FILENAME: 4100\4109\0001A01.DWG

FSCM. NO.	DRAWING NUMBER	REV
64747	4109-0001	A
SCALE: PS: MS	SHEET 1 OF 2	
© ALL RIGHTS RESERVED. 2001 FREEMAN MARINE EQUIPMENT, INC. SPECIFICATIONS SUBJECT TO CHANGE WITHOUT NOTICE		