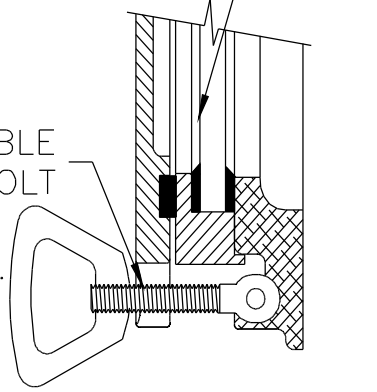
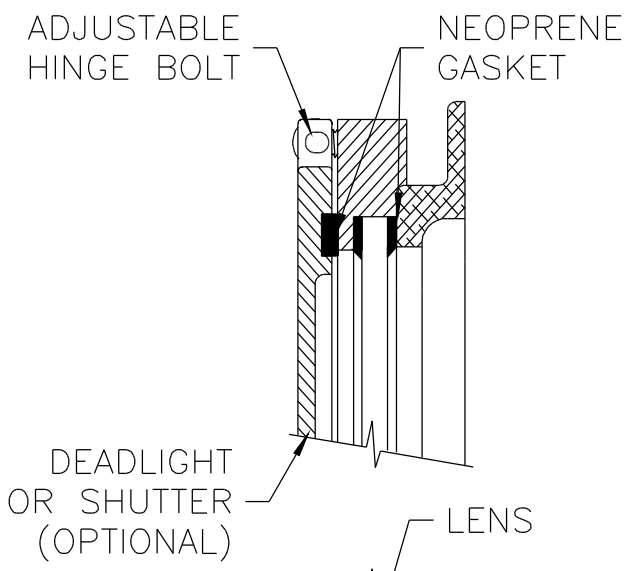
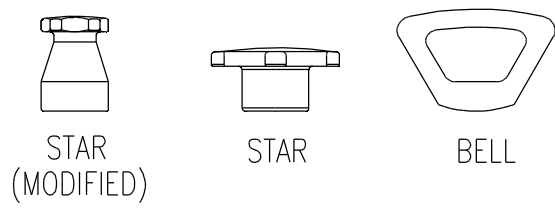


SECTION B-B
FIXED LIGHT W/O COVER

| DIMENSION SCHEDULE | |
|--------------------|---------------|
| FLANGE TO FLANGE | 26.80 X 14.55 |
| CLEAR GLASS | 22.35 X 10.10 |



SECTION A-A
FIXED LIGHT W/ COVER



KNOB OPTIONS

10. FOR SPECIFIC INFORMATION CONTACT SALES. ADJUSTABLE
9. MANY OTHER MODELS & SIZES AVAILABLE. DROP BOLT
8. CLASSIFICATION SOCIETY APPROVALS AVAILABLE.
7. VARIOUS PREP, PRIMER, & PAINT AVAILABLE.
6. SHUTTER OR DEADLIGHT OPTIONAL (DEADLIGHT SHOWN).
5. SPIGOT DEPTH OPTIONAL.
4. PREMIUM DUTY, WATERTIGHT CONSTRUCTION.
3. WILL ACCOMMODATE 3/8" OR 1/2" GLASS OR LEXAN.
2. 12" X 24" CLEAR OPENING.
1. FIXED LIGHT (NON-OPENING LENS).

NOTES:

FREEMAN
MARINE EQUIPMENT INC.
28336 HUNTER CREEK ROAD
GOLD BEACH, OREGON 97444 U.S.A.
PHONE: 541-247-7078 FAX:
541-247-2114
WWW.FREEMANMARINE.COM

TITLE: FIXED LIGHT,
RECTANGULAR, 12-24

DWN BY: ZA UNITS: INCH DATE: 14JUN01
CAD FILENAME: 4100\4136\0001B01.DWG

| | | |
|--|----------------|-----|
| FSCM. NO. | DRAWING NUMBER | REV |
| 64747 | 4136-0001 | B |
| SCALE: PS: MS | SHEET 1 OF 2 | |
| © ALL RIGHTS RESERVED, 2001 FREEMAN MARINE EQUIPMENT, INC. SPECIFICATIONS SUBJECT TO CHANGE WITHOUT NOTICE | | |