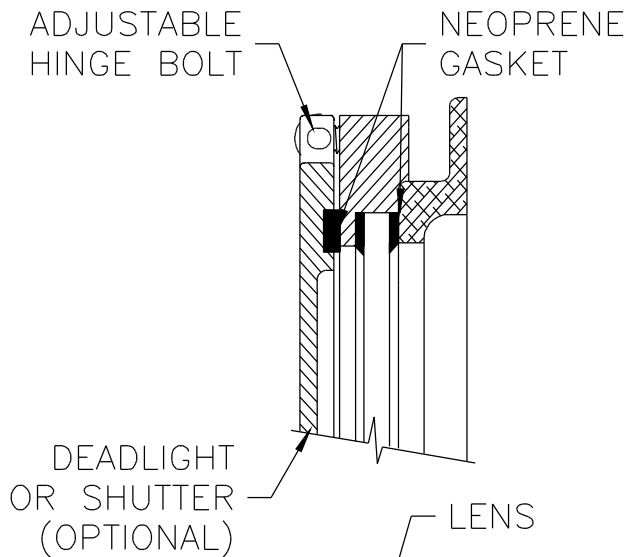


SECTION B-B

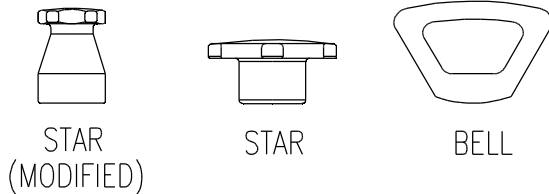
FIXED LIGHT W/O COVER

DIMENSION SCHEDULE	
FLANGE TO FLANGE	27.25 X 17.625
CLEAR GLASS	22.80 X 13.18



SECTION A-A

FIXED LIGHT W/ COVER



KNOB OPTIONS

10. FOR SPECIFIC INFORMATION CONTACT SALES. ADJUSTABLE
9. MANY OTHER MODELS & SIZES AVAILABLE. DROP BOLT
8. CLASSIFICATION SOCIETY APPROVALS AVAILABLE.
7. VARIOUS PREP, PRIMER, & PAINT AVAILABLE.
6. SHUTTER OR DEADLIGHT OPTIONAL (DEADLIGHT SHOWN).
5. SPIGOT DEPTH OPTIONAL.
4. PREMIUM DUTY, WATERTIGHT CONSTRUCTION.
3. WILL ACCOMMODATE 3/8" OR 1/2" GLASS OR LEXAN.
2. 14.5" X 24" CLEAR OPENING.
1. FIXED LIGHT (NON-OPENING LENS).

NOTES:

**FREEMAN**  
**MARINE EQUIPMENT INC.**  
 28336 HUNTER CREEK ROAD  
 GOLD BEACH, OREGON 97444 U.S.A.  
 PHONE: 541-247-7078 FAX:  
 541-247-2114  
 WWW.FREEMANMARINE.COM

TITLE:  
 FIXED LIGHT,  
 RECTANGULAR, 14.5-24

DWN BY: ZA UNITS: INCH DATE: 22JUN01  
 CAD FILENAME: 4100\4138\0001A01.DWG

FSCM. NO.	DRAWING NUMBER	REV
64747	4138-0001	A
SCALE: PS: MS	SHEET 1 OF 2	
© ALL RIGHTS RESERVED. 2001 FREEMAN MARINE EQUIPMENT, INC. SPECIFICATIONS SUBJECT TO CHANGE WITHOUT NOTICE		