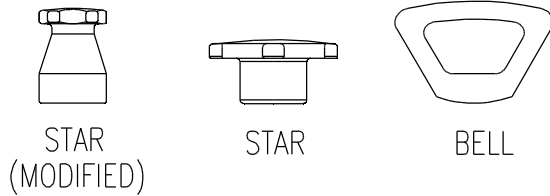


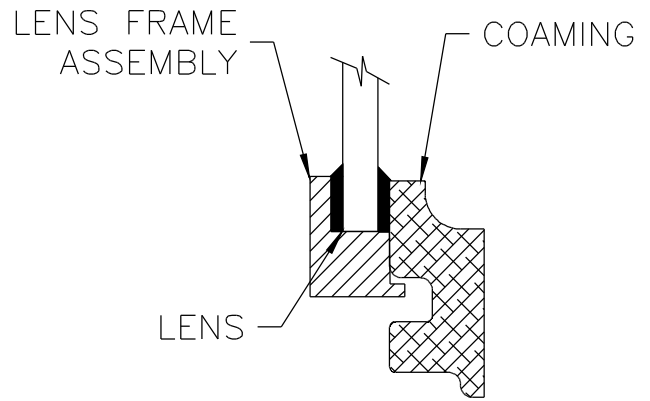
DIMENSION SCHEDULE	
FLANGE TO FLANGE	20.20 X 12.22
CLEAR GLASS	15.75 X 7.77



KNOB OPTIONS

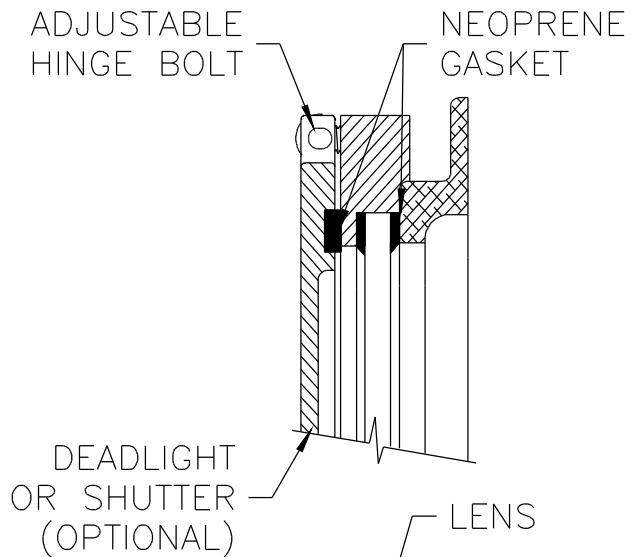
10. FOR SPECIFIC INFORMATION CONTACT SALES. ADJUSTABLE
9. MANY OTHER MODELS & SIZES AVAILABLE. DROP BOLT
8. CLASSIFICATION SOCIETY APPROVALS AVAILABLE.
7. VARIOUS PREP, PRIMER, & PAINT AVAILABLE.
6. SHUTTER OR DEADLIGHT OPTIONAL (DEADLIGHT SHOWN).
5. SPIGOT DEPTH OPTIONAL.
4. PREMIUM DUTY, WATERTIGHT CONSTRUCTION.
3. WILL ACCOMMODATE 3/8" OR 1/2" GLASS OR LEXAN.
2. 8" X 16" CLEAR OPENING.
1. FIXED LIGHT (NON-OPENING LENS).

NOTES:



SECTION B-B

FIXED LIGHT W/O COVER



SECTION A-A

FIXED LIGHT W/ COVER

FREEMAN
MARINE EQUIPMENT INC.
 28336 HUNTER CREEK ROAD
 GOLD BEACH, OREGON 97444 U.S.A.
 PHONE: 541-247-7078 FAX:
 541-247-2114
 WWW.FREEMANMARINE.COM

TITLE: FIXED LIGHT, OVAL, 8-16

DWN BY: ZA UNITS: INCH DATE: 20JUN01
 CAD FILENAME: 4100\4152\0001-01.DWG

FSCM. NO.	DRAWING NUMBER	REV
64747	4152-0001	A
SCALE: PS: MS	SHEET 1 OF 2	
© ALL RIGHTS RESERVED. 2001 FREEMAN MARINE EQUIPMENT, INC. SPECIFICATIONS SUBJECT TO CHANGE WITHOUT NOTICE		