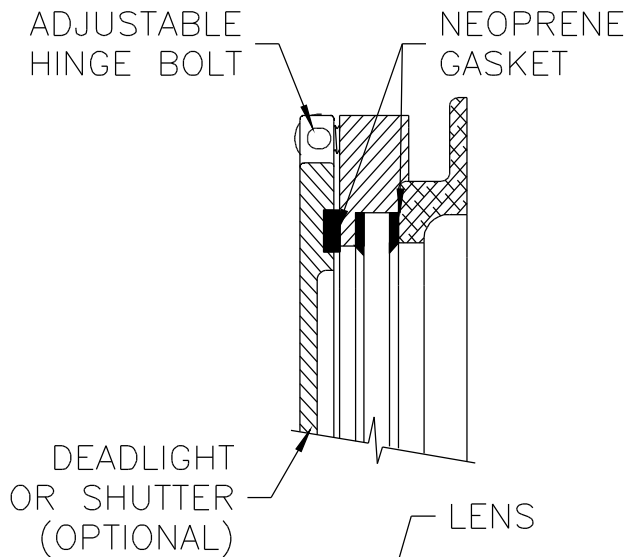


SECTION B-B

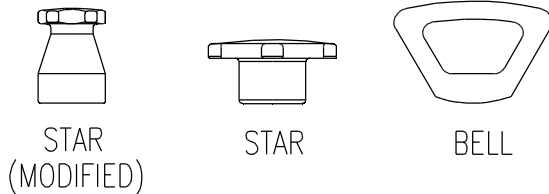
FIXED LIGHT W/O COVER

| DIMENSION SCHEDULE | |
|--------------------|---------------|
| FLANGE TO FLANGE | 28.37 X 16.25 |
| CLEAR GLASS | 23.91 X 11.80 |



SECTION A-A

FIXED LIGHT W/ COVER



KNOB OPTIONS

10. FOR SPECIFIC INFORMATION CONTACT SALES. ADJUSTABLE
9. MANY OTHER MODELS & SIZES AVAILABLE. DROP BOLT
8. CLASSIFICATION SOCIETY APPROVALS AVAILABLE.
7. VARIOUS PREP, PRIMER, & PAINT AVAILABLE.
6. SHUTTER OR DEADLIGHT OPTIONAL (DEADLIGHT SHOWN).
5. SPIGOT DEPTH OPTIONAL.
4. PREMIUM DUTY, WATERTIGHT CONSTRUCTION.
3. WILL ACCOMMODATE 3/8" OR 1/2" GLASS OR LEXAN.
2. 12" X 24" CLEAR OPENING.
1. FIXED LIGHT (NON-OPENING LENS).

NOTES:

FREEMAN
MARINE EQUIPMENT INC.
 28336 HUNTER CREEK ROAD
 GOLD BEACH, OREGON 97444 U.S.A.
 PHONE: 541-247-7078 FAX:
 541-247-2114
 WWW.FREEMANMARINE.COM

TITLE: FIXED LIGHT, OVAL, 12-24

| | | |
|-------------------------------------|-------------|---------------|
| DWN BY: ZA | UNITS: INCH | DATE: 02FEB01 |
| CAD FILENAME: 4100\4158\0001A01.DWG | | |

| | | |
|------------------------------------------------------------------------------------------------------------------|----------------|-----|
| FSCM. NO. | DRAWING NUMBER | REV |
| 64747 | 4155-0001 | A |
| SCALE: PS: MS | SHEET 1 OF 2 | |
| © ALL RIGHTS RESERVED. 2001 FREEMAN MARINE EQUIPMENT, INC. SPECIFICATIONS SUBJECT TO CHANGE WITHOUT NOTICE | | |