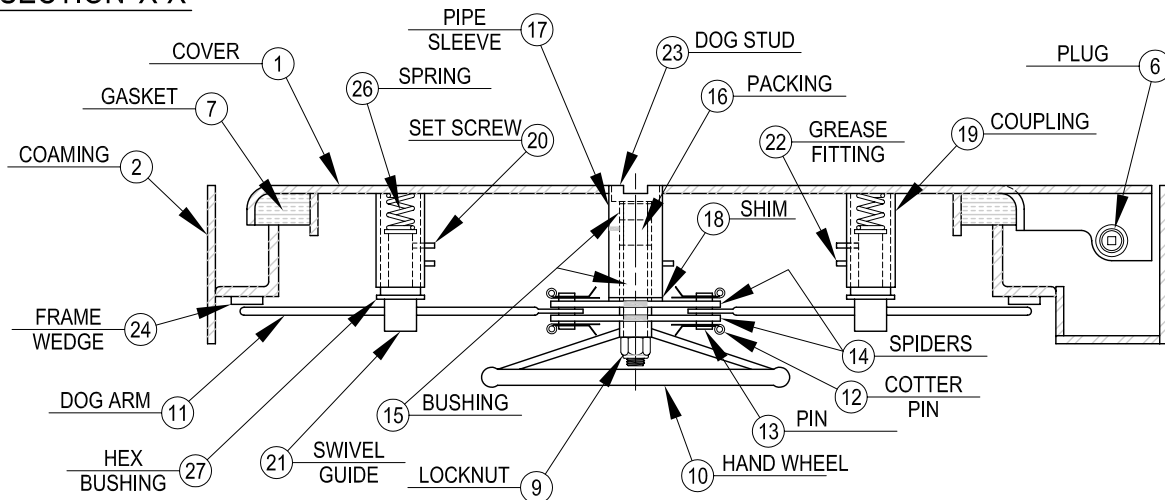


SECTION 'X-X'



SECTION

SCHEDULE OF MATERIALS

PC.	MATERIAL	REMARKS
1	MILD STEEL	
2	MILD STEEL	
3	MILD STEEL	
4	STAINLESS	
5	COLD FINISH	
6	STEEL	
7	NEOPRENE	
8	MILD STEEL	
9	PLATED STEEL	
10	MILD STEEL	
11	MILD STEEL	
12	STAINLESS	
13	BRASS	
14	MILD STEEL	
15	DELTRIN	
16	TEFLON	
17	MILD STEEL	
18	STAINLESS	
19	MILD STEEL	
20	PLATED STEEL	
21	BRASS	
22	PLATED STEEL	
23	BRASS	
24	MILD STEEL	
25	MILD STEEL	
26	PLATED STEEL	
27	BRASS	
28	STEEL	

FREEMAN MARINE EQUIPMENT

Gold Beach, Oregon, USA

QUICK ACTING OVAL WATERTIGHT HATCH

DWG. NO.: 204-MS