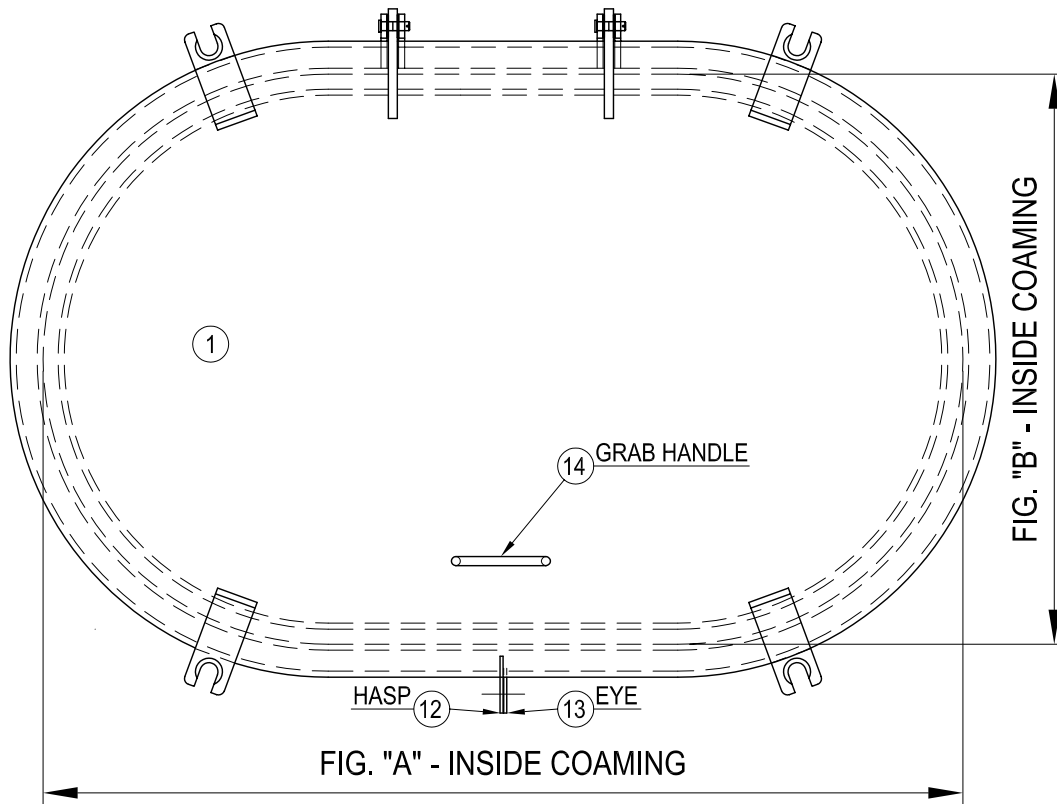
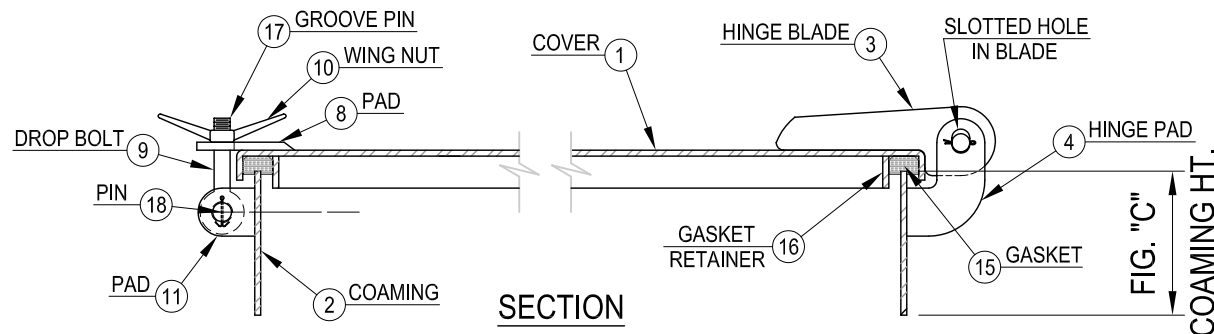
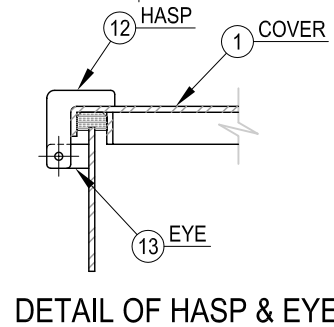
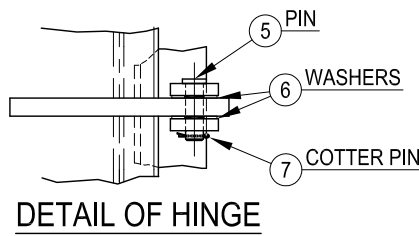
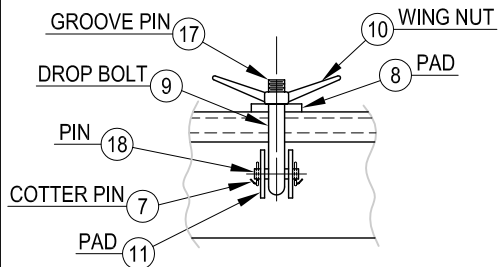


SCHEDULE OF MATERIALS

PC.	MATERIAL	REMARKS
1	MILD STEEL	
2	MILD STEEL	
3	MILD STEEL	
4	MILD STEEL	
5	BRASS	
6	STAINLESS	
7	STAINLESS	
8	MILD STEEL	
9	MANGANESE BRONZE	
10	MANGANESE BRONZE	
11	STEEL	
12	MILD STEEL	
13	MILD STEEL	
14	STEEL	
15	NEOPRENE	
16	MILD STEEL	
17	STAINLESS	
18	BRASS	



PLAN



FREEMAN MARINE EQUIPMENT

Gold Beach, Oregon

OVAL HATCH WITH DROPBOLTS

DWG. NO.: 208-MS