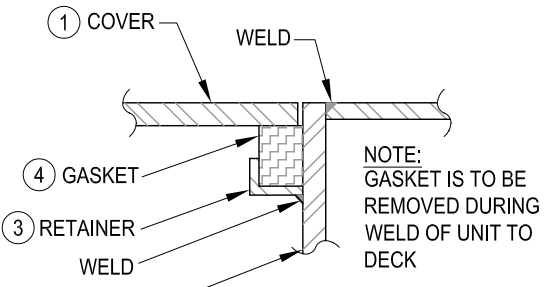
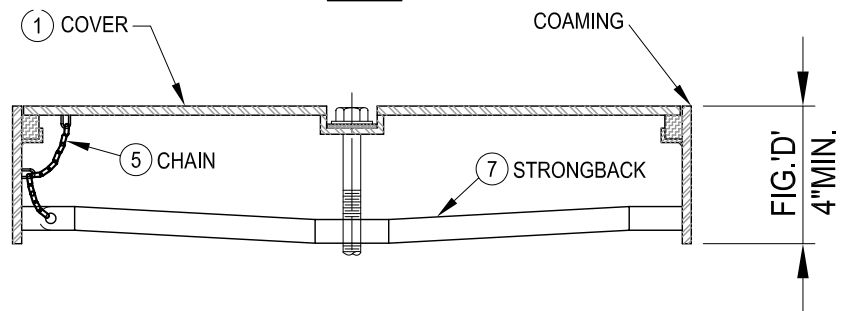
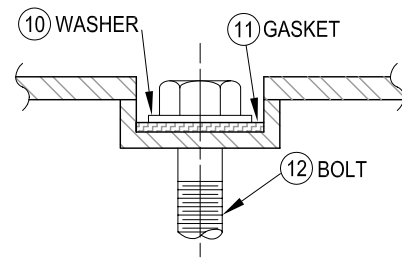


PLAN



SECTION 'A-A'



SECTION 'B-B'

SCHEDULE OF MATERIALS

PC.	MATERIAL	REMARKS
1	MILD STEEL	
2	MILD STEEL	
3	MILD STEEL	
4	NEOPRENE	
5	PLATED STEEL	
6	STAINLESS	
7	MILD STEEL	
8	STEEL	
9	MILD STEEL	
10	STAINLESS	
11	NEOPRENE	
12	STAINLESS	
13	STAINLESS	

DIMENSION SCHEDULE

CLEAR OPENING	A	B	C	D
15" X 23"	15"	23"	17-1/4"	25-1/4"
16" X 23"	16"	23"	18-1/4"	25-1/4"
18" X 24"	18"	23"	20-1/4"	26-1/4"

ADVANTEC MANUFACTURING USA

Gold Beach, OREGON, USA

OVAL SINGLE BOLT MANHOLE

DWG. NO.: 307-MS