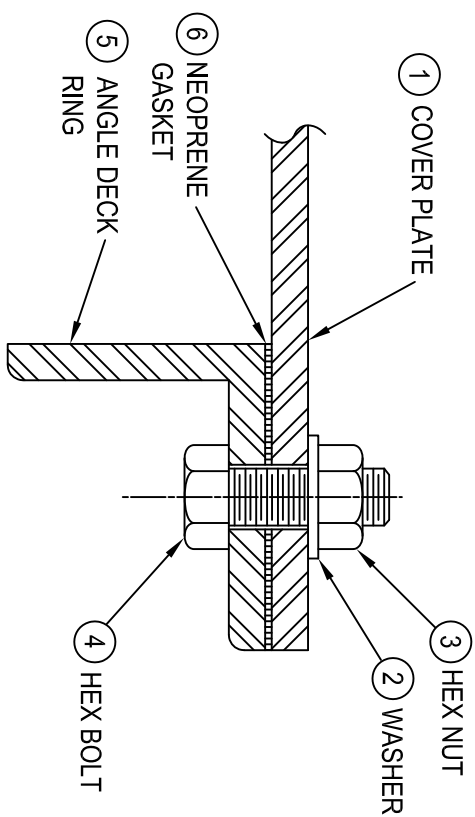
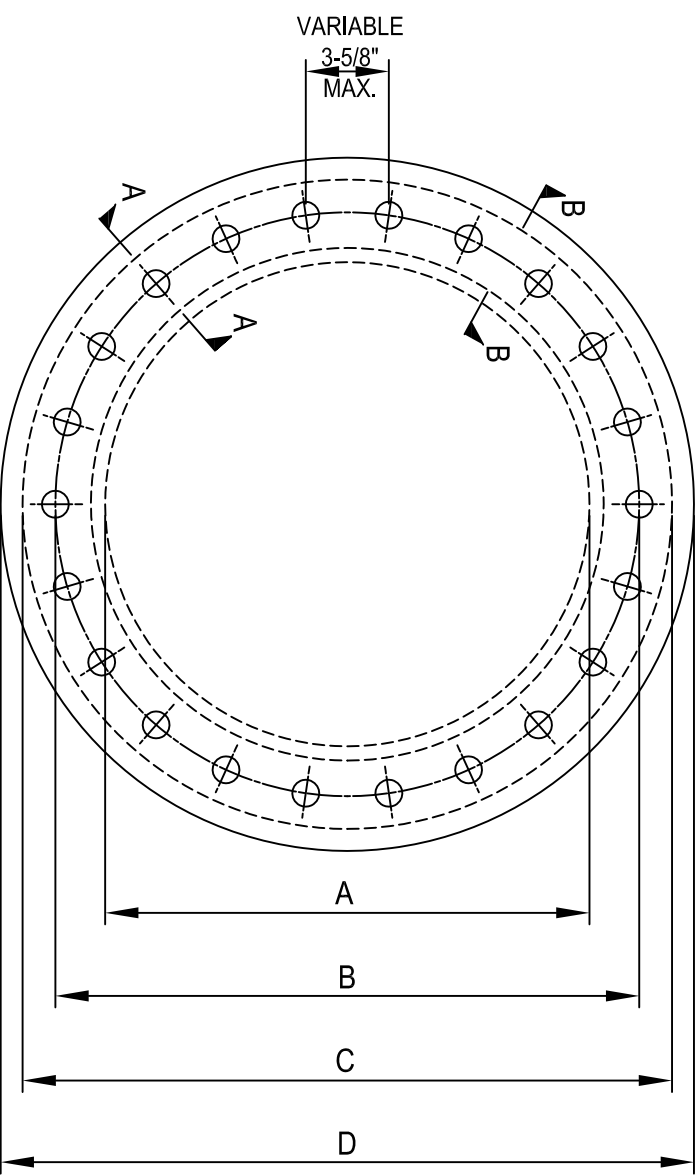
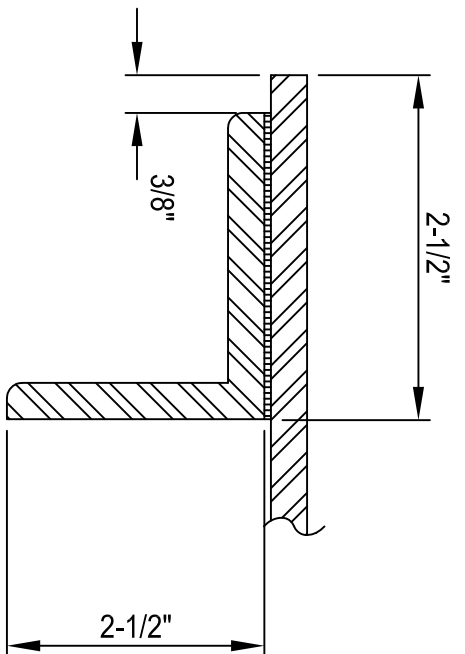


DIMENSION SCHEDULE					
NO. BOLTS	CLEAR OPENING	A	B	C	D
24	18"	18"	20-1/2"	23"	23-3/4"
20	20"	20"	22-1/2"	25"	25-3/4"
22	22"	22"	24-1/2"	27"	27-3/4"
26	24"	24"	26-1/2"	29"	29-3/4"



SECTION A-A



SECTION B-B

PC.	MATERIAL	REMARKS
1	STEEL	
2	STEEL PLATED	
3	STEEL PLATED	
4	STEEL PLATED	
5	STEEL	
6	NEOPRENE	

FREEMAN
LAURE EQUIPMENT INC.

28336 HUNTER CREEK ROAD
GOLD BEACH, OR 97444 U.S.A.
PHONE: 541-247-7078 FAX: 541-247-2114

TITLE:
RD RAISED BLOTTED MANHOLE

CONTRACT NO.:
DRAWN: GRL-TEX DATE: 10-31-02
CHECKED: DATE:
ENGR: DATE:
DESIGN AGENT: DATE:
CONTRACT

SIZE: D
CAGE CODE: 308S
SCALE: SCALE: WT. SHEET: SHEET

UNLESS OTHERWISE SPECIFIED
DIMENSIONS ARE IN INCHES,
TOLERANCES ARE:
±.1 ±.03 ±.010 ±.2°

DO NOT SCALE DRAWING



SPECIFICATIONS SUBJECT TO
CHANGE WITHOUT NOTICE.

COMMERICAL PROPERTY OF FREEMAN LAURE EQUIPMENT, INC.
MANUFACTURED UNDER LICENSE OF THE U.S. PATENT & TRADEMARK OFFICE.
ALL RIGHTS RESERVED. © 1999

SCALE: SCALE: WT. SHEET: SHEET