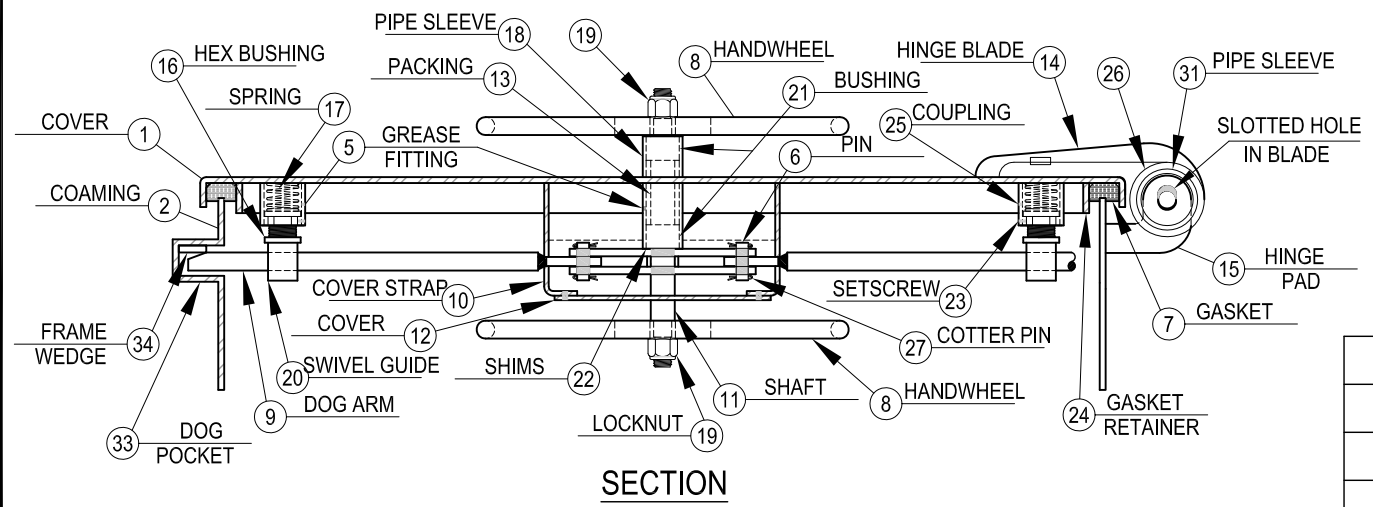
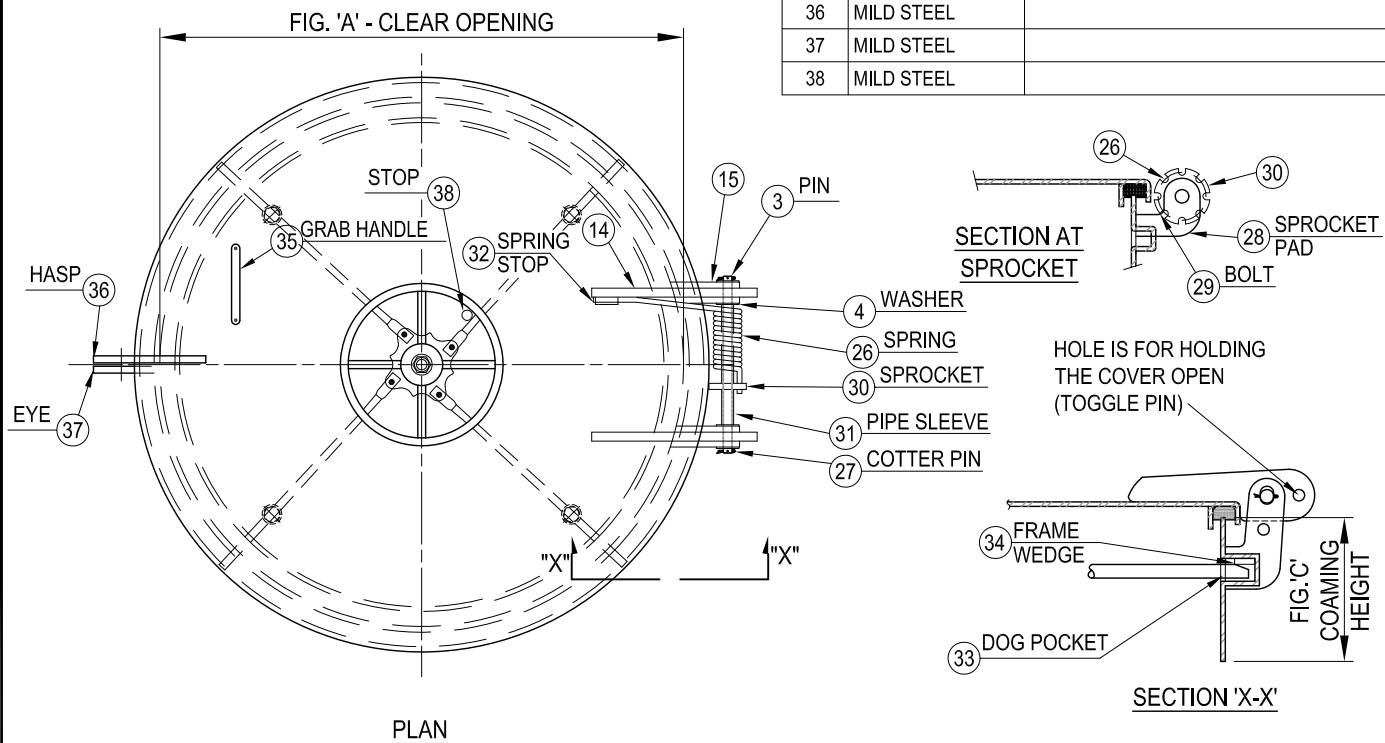


31	STEEL	
32	MILD STEEL	
33	MILD STEEL	
34	MILD STEEL	
35	MILD STEEL	
36	MILD STEEL	
37	MILD STEEL	
38	MILD STEEL	

SCHEDULE OF MATERIALS		
PC.	MATERIAL	REMARKS
1	MILD STEEL	
2	MILD STEEL	
3	COLD FINISH	
4	STAINLESS	
5	PLATED STEEL	
6	BRASS	
7	NEOPRENE	
8	MILD STEEL	
9	COLD FINISH	
10	MILD STEEL	
11	COLD FINISH	
12	MILD STEEL	
13	TEFLON	
14	MILD STEEL	
15	MILD STEEL	
16	BRASS	
17	PLATED STEEL	
18	STEEL	
19	PLATED STEEL	
20	BRASS	
21	DELTRIN	
22	STAINLESS	
23	PLATED STEEL	
24	MILD STEEL	
25	STEEL	
26	SPRING STEEL	
27	STAINLESS	
28	MILD STEEL	
29	STEEL	
30	MILD STEEL	



**FREEMAN MARINE EQUIPMENT, INC.**  
 Gold Beach, Oregon, USA  
 RAISED QUICK ACTING WATERTIGHT SCUTTLE  
 W/SPRING ASSIST COVER  
 DWG. NO.: 400-MS