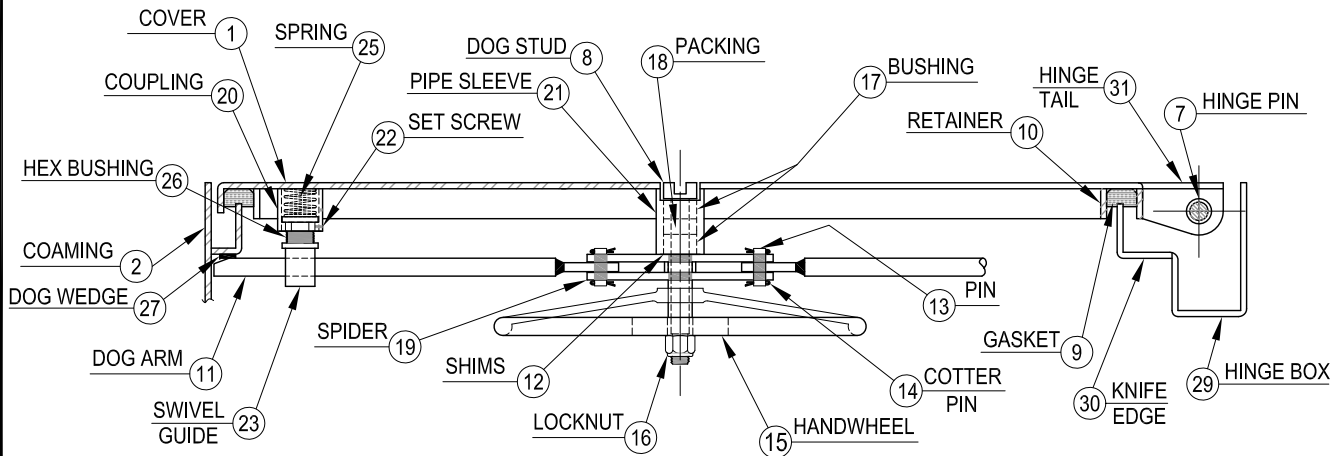


SECTION 'X-X'

PLAN



SECTION

SCHEDULE OF MATERIALS

PC.	MATERIAL	REMARKS
1	MILD STEEL	
2	MILD STEEL	
3	MILD STEEL	
4	MILD STEEL	
5	STAINLESS	
6	MILD STEEL	
7	COLD FINISH	
8	BRASS	
9	NEOPRENE	
10	MILD STEEL	
11	MILD STEEL	
12	STAINLESS	
13	BRASS	
14	STAINLESS	
15	MILD STEEL	
16	PLATED STEEL	
17	DELTRIN	
18	TEFLON	
19	MILD STEEL	
20	MILD STEEL	
21	MILD STEEL	
22	PLATED STEEL	
23	BRASS	
24	MILD STEEL	
25	PLATED STEEL	
26	BRASS	
27	MILD STEEL	
28	MILD STEEL	
29	MILD STEEL	
30	MILD STEEL	
31	MILD STEEL	

FREEMAN MARINE EQUIPMENT, INC

Gold Beach, Oregon, USA

FLUSH QUICK ACTING WATERTIGHT ROUND SCUTTLE

DWG. NO.: 401-SS