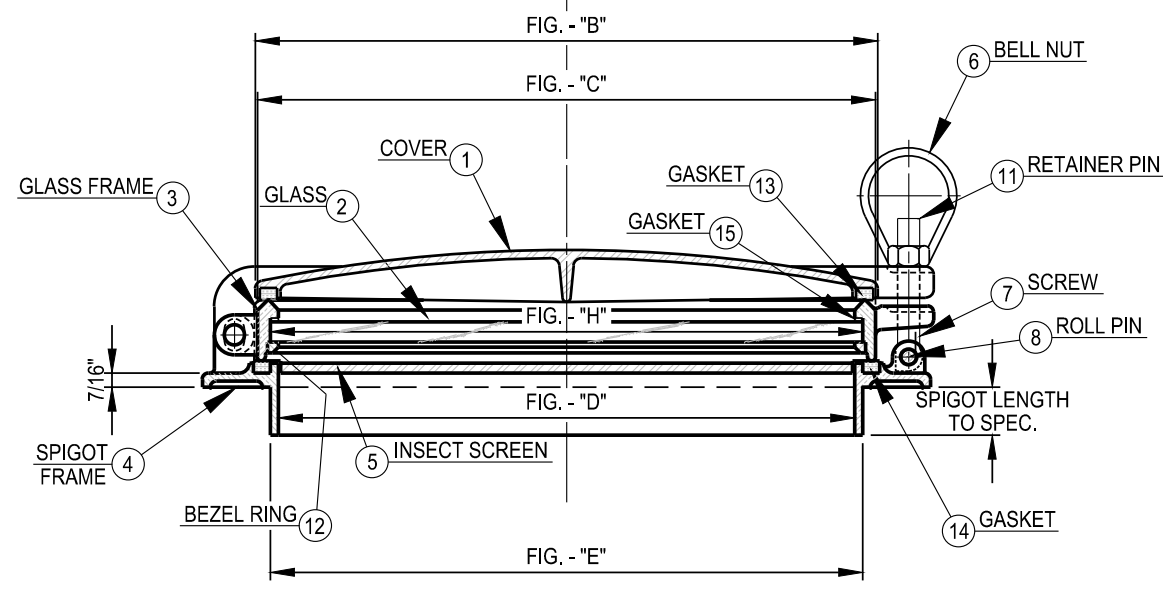


PLAN



SECTION

SCHEDULE OF MATERIALS		
PC.	MATERIAL	REMARKS
1	CAST ALUMINUM	
2	GLASS	
3	ALUMINUM	
4	ALUMINUM	
5	STAINLESS	
6	ALUMINUM	
7	ALUMINUM	
8	STAINLESS	
9	ALUMINUM	
10	STAINLESS	
11	STAINLESS	
12	ALUMINUM	
13	NEOPRENE	
14	NEOPRENE	
15	NEOPRENE	

DIMENSION SCHEDULE							
SIZE:		8	10	12	14	16	18
DIMENSIONS:	A	11 1/2	14 1/4	16	18	20 3/8	22 3/4
	B	9 1/4	11 1/4	13 7/16	15 5/8	17 5/16	19 1/2
	C	9 1/8	11 1/8	13 1/8	15 3/16	17 1/8	19 5/16
	D	8	10	12	14	16	18
	E	8 3/8	10 3/8	12 3/8	14 3/8	16 1/2	18 1/2
	F	25/64	33/64	33/64	33/64	33/64	33/64
	G	3/8	1/2	1/2	9/16	9/16	9/16
	H	8 5/8	10 5/8	12 5/8	14 5/8	16 5/8	18 5/8
	I	10 1/2	12 3/4	14 3/4	16 3/4	18 7/8	21 1/8
# OF HOLES:		9	12	12	12	12	12

FREEMAN MARINE EQUIPMENT
 Gold Beach, Oregon, USA
 ALUMINUM PORTLIGHT - BOLT ON
 DWG. NO.: 800-A