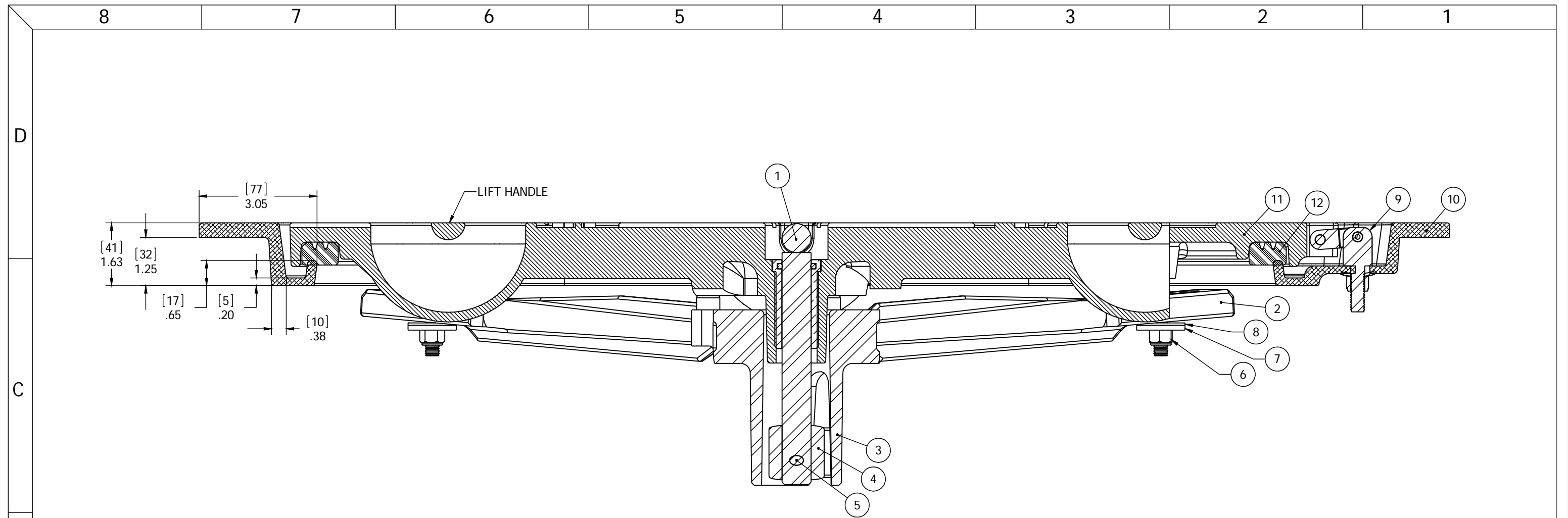


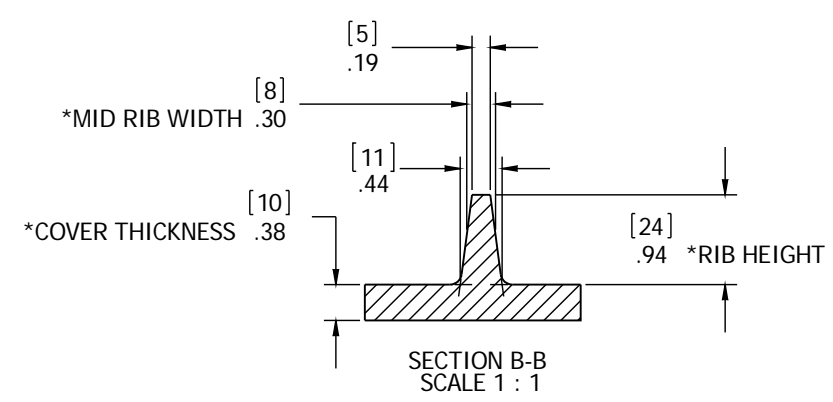
10. FOR SPECIFIC INFORMATION CONTACT SALES.
9. COMPLETE ASSEMBLY WEIGHT W/ DECK RING, 132.8LBS/ 60.2K.
8. DOGGING PRESSURE FULLY ADJUSTABLE.
7. HANDLE POSITION TOPSIDE INDICATES WHETHER DOGGING MECHANISM IS IN OPEN OR CLOSED POSITION.
6. DUCTILE IRON COVER W/STAINLESS STEEL MECHANISM SHOWN.
5. FLUSH, WATERTIGHT CONSTRUCTION.
4. INTEGRAL TOPSIDE "T" HANDLE STANDARD, OTHER TOPSIDE ACTUATION AVAILABLE.
3. ALUMINUM COAMING FOR WELD-IN OR BOLT-IN DECK APPLICATIONS.
2. QUICK-ACTING, MECHANISM ENGAGES OR DISENGAGES IN QUARTER-TURN OF CENTER SPINDLE.
1. 24.8" X 24.8" CLEAR OPENING, ALL DIMENSIONS SHOWN SUBJECT TO CASTING VARIATION AND ARE REFERENCE ONLY.

NOTES: UNLESS OTHERWISE SPECIFIED.

CONFIDENTIAL PROPERTY OF FREEMAN MARINE EQUIPMENT, INC. UNAUTHORIZED USE, COPYING OR DISTRIBUTION IS STRICTLY PROHIBITED. POSSESSOR OF THIS DOCUMENT AGREES TO THE FOREGOING AND SHALL RETURN THIS DOCUMENT UPON REQUEST. ALL RIGHTS RESERVED 2004		FREEMAN MARINE EQUIPMENT, INC.		28336 HUNTER CREEK ROAD GOLD BEACH, OR 97444 U.S.A. PHONE: 541-247-7078 FAX: 541-247-2114 www.freemanmarine.com	
CLIENT: FREEMAN MARINE EQUIPMENT, INC		TITLE: 24" X 24" SQUARE HINGED "K" STYLE DI CAST HATCH COVER, ALUMINUM DECK RING W/ INTEGRAL TOPSIDE HANDLE			
DRAWN: R. REESE DATE: 10JAN12	CHECKED: G. MACEACHERN DATE: 10JAN12	ENGR: _____ DATE: _____	DESIGN ACTIVITY: _____ DATE: _____	CONTRACT NO.: _____	SIZE: D CAGE CODE: 64747 SCALE: 1:3
UNLESS OTHERWISE SPECIFIED DIMENSIONS ARE IN INCHES, TOLERANCES FOR ROUGH AND CLEAR OPENING ± .125 INCH. ALL OTHERS ARE: .X .XX .XXX ANGLES ±.1 ±.03 ±.010 ±2°		SPECIFICATIONS SUBJECT TO CHANGE WITHOUT NOTICE.			
PROJECTION		DO NOT SCALE DRAWING			
INITIAL RELEASE: _____ DATE: 10JAN12 RR	DRAWING NUMBER: 2480-0106 REV: - SHEET 1 OF 2				



SECTION A-A



ITEM NO.	QTY.	PART NUMBER	DESCRIPTION	MATERIAL
12	1	9813-2004	GASKET, 2424 (7.33' OF 0631-9813)	NEOPRENE
11	1	2480-3001	COVER, 2424-H DI, FINISHED CASTING	DUCTILE IRON
10	1	2464-1002	RING: 2424-H	ALUMINUM
9	2	0461-2205	HINGE ASSY, DOUBLE-ACTING, CAST HATCH,2	REF S/A - B.O.M.
8	4	0413-2005	WASHER, .406 X 1.250 X .062 NYLON	NYLON
7	4	0411-2033	WASHER, .406 X 1.25 X .125, 316 S/S	STAINLESS STEEL, 316
6	4	0411-2032	LOCKNUT, NYLON INSERT, 3/8-16, 316 S/S	STAINLESS STEEL, 316
5	1	0411-2004	PIN, KNURLED, 1/4 X 2-1/4, 316 S/S	STAINLESS STEEL, 316L
4	1	0212-2017	ACTUATOR, 316LD S/S	STAINLESS STEEL, 316L
3	1	0212-2015	HUB, 4 HOLE, 316L S/S	CAST STAINLESS STEEL
2	4	0212-2011	DOG, LOCKING ARM, 2424	Cast Stainless Steel
1	1	0021-2005	HANDLE, S/S, ROUND BAR	STAINLESS STEEL, 316

SPECIFICATIONS SUBJECT TO CHANGE WITHOUT NOTICE.		FREEMAN MARINE EQUIPMENT, INC. 28336 HUNTER CREEK ROAD GOLD BEACH, OR 97444 U.S.A. PHONE: 541-247-7078 FAX: 541-247-2114 www.freemanmarine.com	
UNLESS OTHERWISE SPECIFIED DIMENSIONS ARE IN INCHES, TOLERANCES FOR ROUGH AND CLEAR OPENING ± .125 INCH. ALL OTHERS ARE: .X .XX .XXX ANGLES ±.1 ±.03 ±.010 ±2°		CLIENT: FREEMAN MARINE EQUIPMENT, INC TITLE: 24" X 24" SQUARE HINGED "K" STYLE DI CAST HATCH COVER, ALUMINUM DECK RING W/ INTEGRAL TOPSIDE HANDLE	
DO NOT SCALE DRAWING		SIZE: D CAGE CODE: 64747 DRAWING NUMBER: 2480-0106 REV: -	
CONTRACT NO.:		SCALE: 1:1.25 CALC. WT. ACT. WT. SHEET 2 OF 2	

1. *REFERENCE RIB DIMENSIONS SHOWN ARE TYPICAL DUE TO CASTING VARIATION.
 NOTES: UNLESS OTHERWISE SPECIFIED.