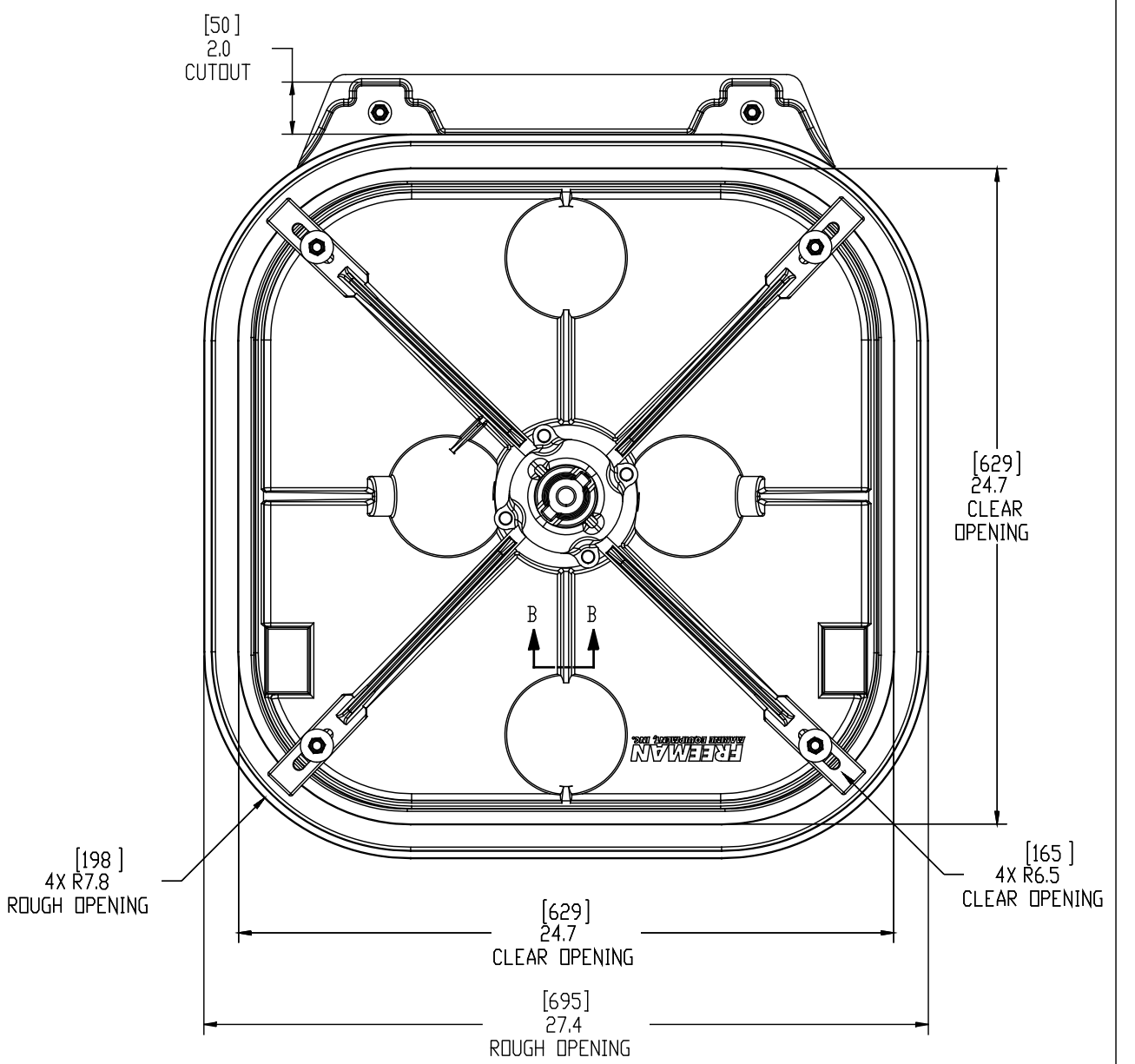
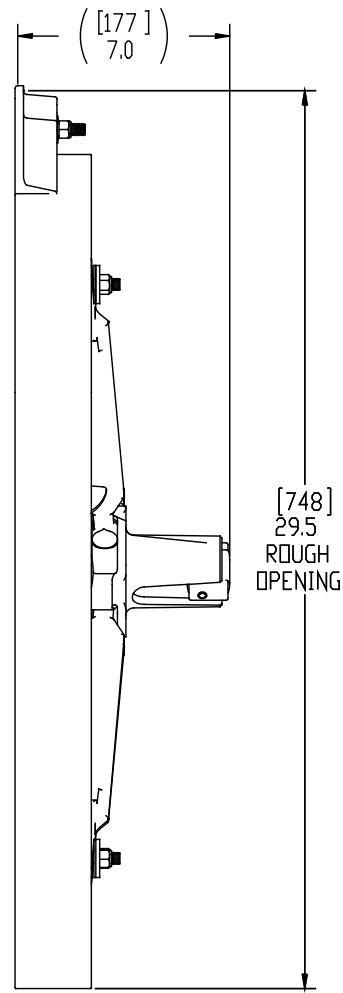
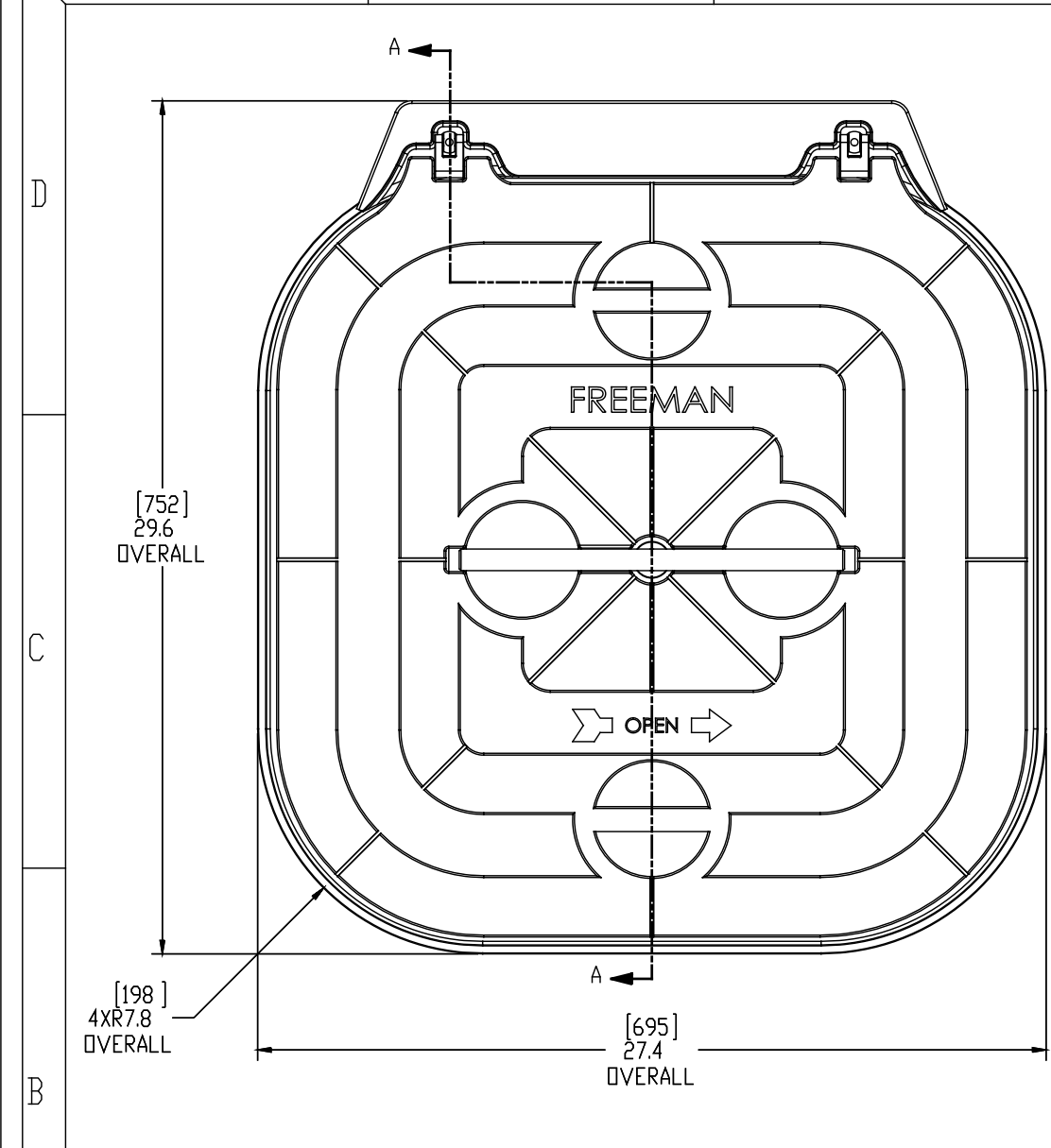


8 7 6 5 4 3 2 1



- 11. FINISH - COAMING: BARE METAL, AS MANUFACTURED.
FINISH - COVER: BARE METAL, AS MANUFACTURED.
- 10. FOR SPECIFIC INFORMATION CONTACT SALES.
- 9. COMPLETE ASSEMBLY WEIGHT W/ DECK RING, 154.6LBS/ 70.1K.
- 8. DOGGING PRESSURE FULLY ADJUSTABLE.
- 7. HANDLE POSITION TOPSIDE INDICATES WHETHER DOGGING MECHANISM IS IN OPEN OR CLOSED POSITION.
- 6. DUCTILE IRON COVER W/STAINLESS STEEL MECHANISM SHOWN.
- 5. FLUSH, WATERTIGHT CONSTRUCTION.
- 4. INTEGRAL TOPSIDE 'T' HANDLE STANDARD, OTHER TOPSIDE ACTUATION AVAILABLE.
- 3. 2424-H MILD STEEL COAMING.
- 2. QUICK-ACTING, MECHANISM ENGAGES OR DISENGAGES IN QUARTER-TURN OF CENTER SPINDLE.
- 1. 24.7" X 24.7" CLEAR OPENING, ALL DIMENSIONS SHOWN SUBJECT TO CASTING VARIATION AND ARE REFERENCE ONLY.

NOTES: UNLESS OTHERWISE SPECIFIED.

SPECIFICATIONS SUBJECT TO CHANGE WITHOUT NOTICE.		FREEMAN MARINE EQUIPMENT, INC. 28336 HUNTER CREEK ROAD GOLD BEACH, OR 97444 U.S.A. PHONE: 541-247-7078 FAX: 541-247-2114 www.freemanmarine.com	
PROJECTION		CLIENT: FREEMAN MARINE EQUIPMENT, INC. TITLE: HATCH: 2424-H K, DI COVER, MS RING	
UNLESS OTHERWISE SPECIFIED DIMENSIONS ARE IN INCHES. TOLERANCES FOR ROUGH AND CLEAR OPENING ± .125 INCH. ALL OTHERS ARE:		CONTRACT NO:	
X XX XXX ANGLES ±.1 ±.03 ±.010 ±2°		SCALE: 1/3	
DO NOT SCALE DRAWING		ACT. VT. SHEET 1 OF 2	
- INITIAL RELEASE REV. DESCRIPTION	20FEB12 DATE	RR DRAWN	SIZE: D CAGE CODE: 64747 DRAWING NUMBER: 2480-0107 REV. -