

8. FOR SPECIFIC INFORMATION CONTACT SALES.

7. COMPLETE ASSEMBLY WEIGHT W/ DECK RING, 62LBS/ 28Kg.

6. DOGGING PRESSURE FULLY ADJUSTABLE.

5. ALUMINUM ALLOY MECHANISM SHOWN.

4. FLUSH, WATERTIGHT CONSTRUCTION.

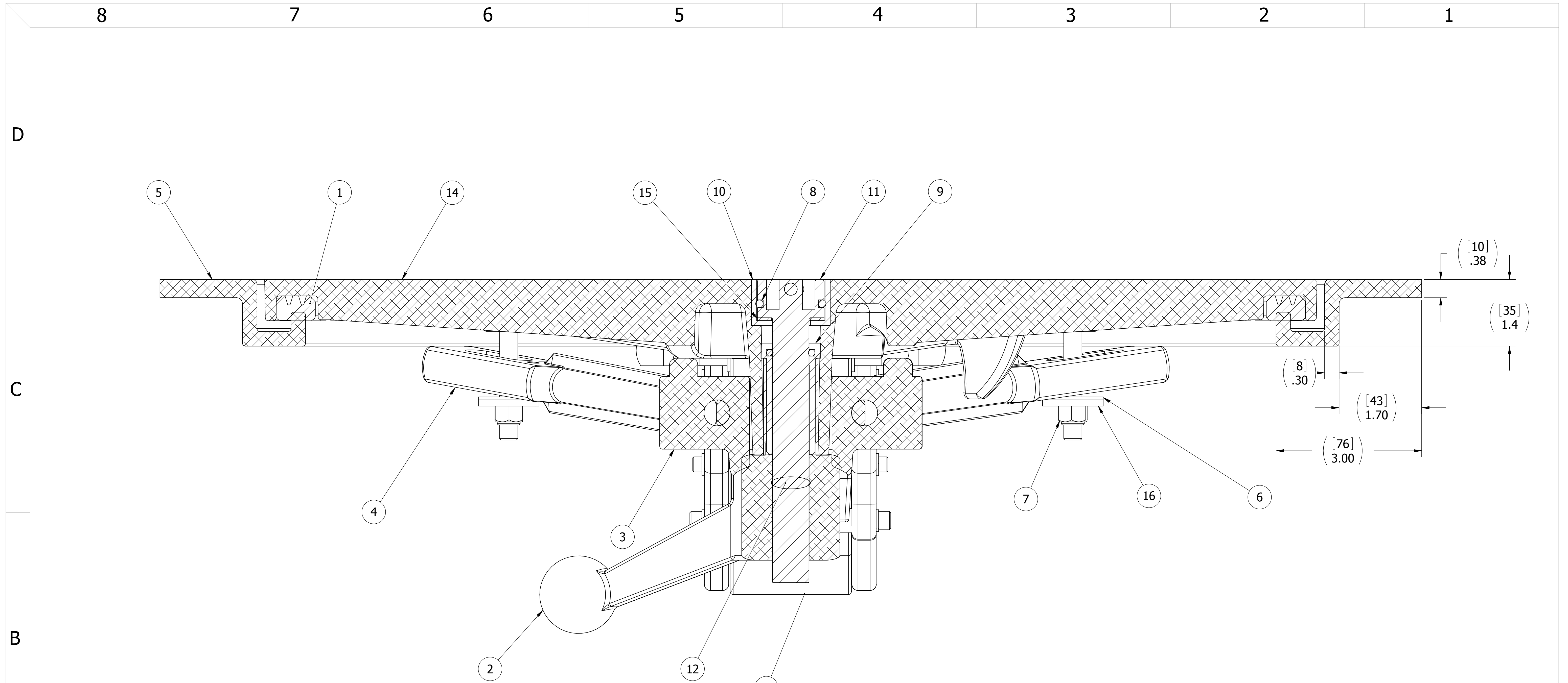
3. ALUMINUM FLANGE CAN BE WELDED OR BOLTED IN POSITION.

2. QUICK-ACTING, MECHANISM ENGAGES OR DISENGAGES IN QUARTER-TURN OF CENTER SPINDLE.

1. 20.0" /508mm DIAMETER CLEAR OPENING, ALL DIMENSIONS SHOWN SUBJECT TO CASTING VARIATION AND ARE REFERENCE ONLY.

NOTES:

CONFIDENTIAL PROPERTY OF FREEMAN MARINE EQUIPMENT INC. UNAUTHORIZED USE, COPYING OR DISTRIBUTION IS STRICTLY PROHIBITED. POSSESSOR OF THIS DOCUMENT AGREES TO THE FOREGOING AND SHALL RETURN THIS DOCUMENT UPON REQUEST. © ALL RIGHTS RESERVED 2004		28336 HUNTER CREEK ROAD GOLD BEACH, OR 97444 U.S.A. PHONE: 541-247-7078 FAX: 541-247-2114 www.freemanmarine.com	
SPECIFICATIONS SUBJECT TO CHANGE WITHOUT NOTICE.		<b>FREEMAN MARINE EQUIPMENT, INC.</b>	
PROJECTION		CLIENT: <b>FREEMAN MARINE</b>	
UNLESS OTHERWISE SPECIFIED DIMENSIONS ARE IN INCHES, TOLERANCES FOR ROUGH AND CLEAR OPENING ± .125 INCH. ALL OTHERS ARE: .X .XX .XXX ANGLES ±.1 ±.03 ±.010 ±2°		TITLE: <b>HATCH: 20 K AL COVER, AL RING W/ INTERLOCKING "T" HANDLE</b>	
DO NOT SCALE DRAWING		SIZE: <b>D</b> CAGE CODE: <b>64747</b> DRAWING NUMBER: <b>2485-0062-0001</b> REV.	
REV. DESCRIPTION:	DATE:	DRAWN:	SCALE: 1:4 CALC. WT. ACT. WT. SHEET 1 OF 3



SECTION A-A  
SCALE 1 : 2

ITEM NO.	QTY.	PART NO.	DESCRIPTION	MATERIAL
16	4	0411-2033	WASHER, .406 X 1.25 X .125, 316 S/S	STAINLESS STEEL, 316
15	1	0413-2049	WASHER, SHIM CAST HATCH BI-SQ	ACETAL, BLACK
14	1	2485-3041	COVER, 20 K FLAT TOP AL, FINISHED CASTING	ALUMINUM
13	1	0461-2077	HINGE ASSY, YOKE, CAST HATCH, W/HOLD OPEN	REF S/A B.O.M.
12	1	0411-2004	PIN, KNURLED, 1/4 X 2-1/4, 316 S/S	STAINLESS STEEL, 316L
11	1	0031-2107	SPINDLE, INTERLOCKING, FLUSH TO 1/4 TEAK	STAINLESS STEEL, 316L
10	1	0441-2133	CUP, INTERLOCKING SPINDLE, FLUSH TO 1/4	STAINLESS STEEL, 316L
9	1	0031-2001	BUSHING ASSY, STD HATCH, W/SLEEVE	REF. S/A - B.O.M.
8	1	0441-2045	O-RING, 27MM X 4MM	BUNA-N
7	4	0411-2032	LOCKNUT, NYLON INSERT, 3/8-16, 316 S/S	STAINLESS STEEL, 316
6	4	0413-2005	WASHER, .406 X 1.250 X .062 NYLON	NYLON
5	1	2485-1002	RING: 20K AL	ALUMINUM
4	4	0211-2008	DOG, LOCKING ARM 20, AL	ALUMINUM, 535.2-F
3	1	0011-2006	HUB, 4 HOLE - SHORT	ALUMINUM, 535.2
2	1	0112-2003	ESCAPE HANDLE, AL	ALUMINUM, 535.2-F
1	1	9835-2011	GASKET, 20ALK (4.93' OF 0631-9835)	NEOPRENE

REV.	DESCRIPTION:	DATE:	DRAWN:

SPECIFICATIONS SUBJECT TO CHANGE WITHOUT NOTICE.

PROJECTION

UNLESS OTHERWISE SPECIFIED DIMENSIONS ARE IN INCHES, TOLERANCES FOR ROUGH AND CLEAR OPENING ± .125 INCH. ALL OTHERS ARE:

.X	.XX	.XXX	ANGLES
±.1	±.03	±.010	±2°

DO NOT SCALE DRAWING

**FREEMAN MARINE EQUIPMENT, INC.**

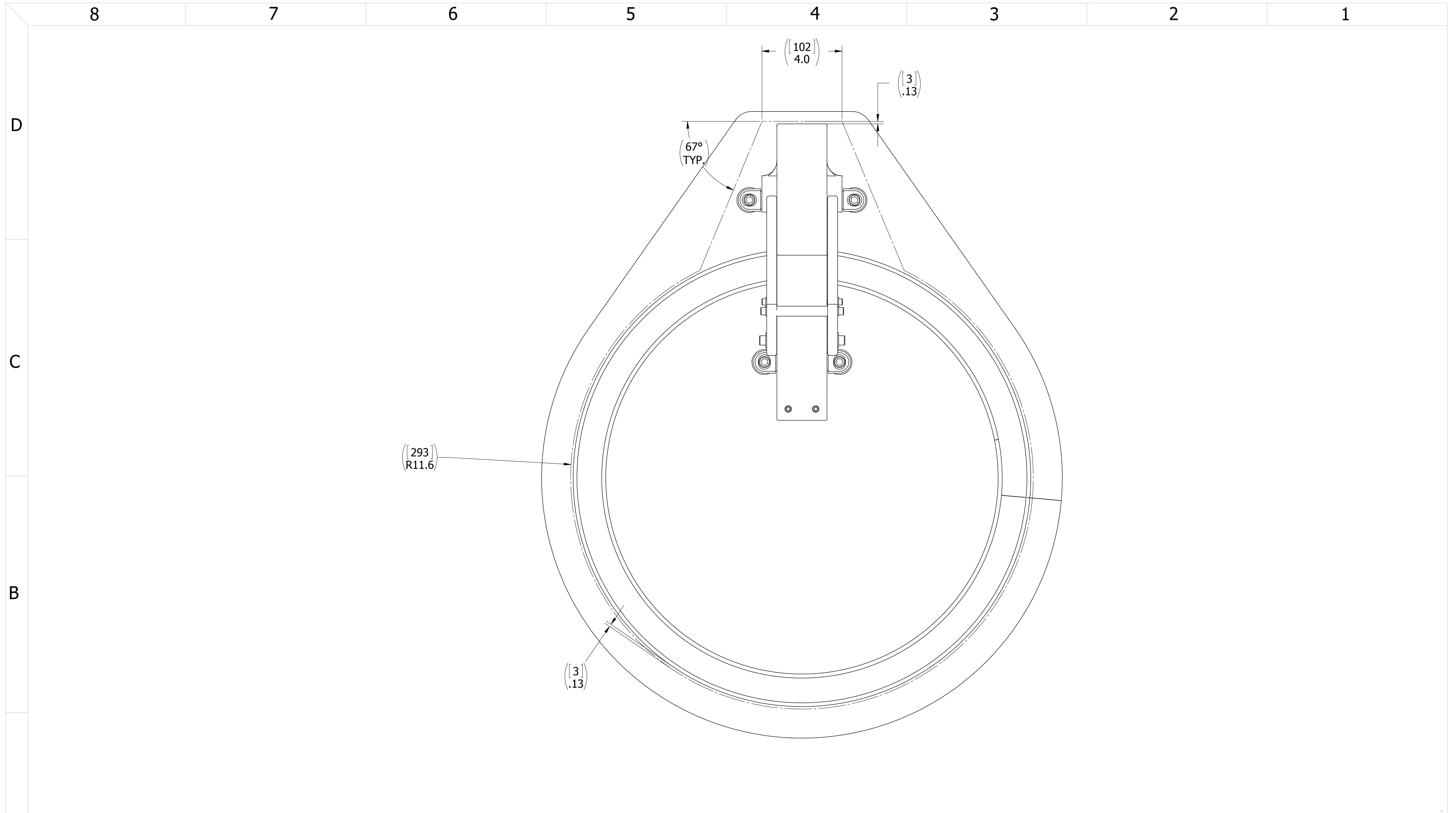
28336 HUNTER CREEK ROAD  
GOLD BEACH, OR 97444 U.S.A.  
PHONE: 541-247-7078 FAX: 541-247-2114  
www.freemanmarine.com

CLIENT: **FREEMAN MARINE**

TITLE: **HATCH: 20 K  
AL COVER, AL RING  
W/ INTERLOCKING "T" HANDLE**

SIZE	CAGE CODE	DRAWING NUMBER	REV.
<b>D</b>	64747	2485-0062-0001	

SCALE: 1:1    CALC WT.    ACT. WT.    SHEET 2 OF 3



A

- 3. FINISH: 125 RMS MAX.
  - 2. BREAK SHARP EDGES AND DEBURR.
  - 1. MATERIAL: REF. S/A - B.O.M.
- NOTES: UNLESS OTHERWISE SPECIFIED.

CUSTOMER APPROVAL

Signature: \_\_\_\_\_  
 Date: \_\_\_\_\_

IMPORTANT! THIS DRAWING SUPERSEDES ALL OTHER DOCUMENTS. By signing this approval you accept and agree that the dimensions and details shown are correct and properly fit your application, regardless of any differences between this drawing and any contract specifications. Should you see any errors in the drawing, or have any questions, please contact your Freeman Marine sales engineer for clarification.

REV.	DESCRIPTION	DATE	DRAWN

SPECIFICATIONS SUBJECT TO CHANGE WITHOUT NOTICE.

PROJECTION

UNLESS OTHERWISE SPECIFIED DIMENSIONS ARE IN INCHES, TOLERANCES FOR ROUGH AND CLEAR OPENING ± .125 INCH. ALL OTHERS ARE:

.X	.XX	.XXX	ANGLES
±.1	±.03	±.010	±2°

DO NOT SCALE DRAWING

 <small>CONFIDENTIAL PROPERTY OF FREEMAN MARINE EQUIPMENT, INC. UNAUTHORIZED USE, REPRODUCTION OR DISTRIBUTION IS STRICTLY PROHIBITED. ALL CODES REMAIN THE PROPERTY OF FREEMAN MARINE EQUIPMENT, INC. AND MUST BE RETURNED UPON REQUEST. © ALL RIGHTS RESERVED 2012, FREEMAN MARINE EQUIPMENT, INC.</small>		CLIENT: <b>FREEMAN MARINE</b>	
		TITLE: <b>HATCH: 20 K AL COVER, AL RING</b>	
DRAWN: T KUHNHAUSEN CHECKED: ENGR: DESIGN ACTIVITY: CONTRACT NO.:	DATE: 02MAY07 DATE: DATE: DATE:	SIZE: <b>D</b> CAGE CODE: <b>64747</b> SCALE: 1:2.25	DRAWING NUMBER: <b>2485-0062-0001</b> DRAWING NUMBER: ACT. WT.
		REV. 3 SHEET 3 OF 3	REV.

28336 HUNTER CREEK ROAD  
 GOLD BEACH, OR 97444 U.S.A.  
 PHONE: 541-247-7078 FAX: 541-247-2114  
 www.freemanmarine.com