

8

7

6

5

4

3

2

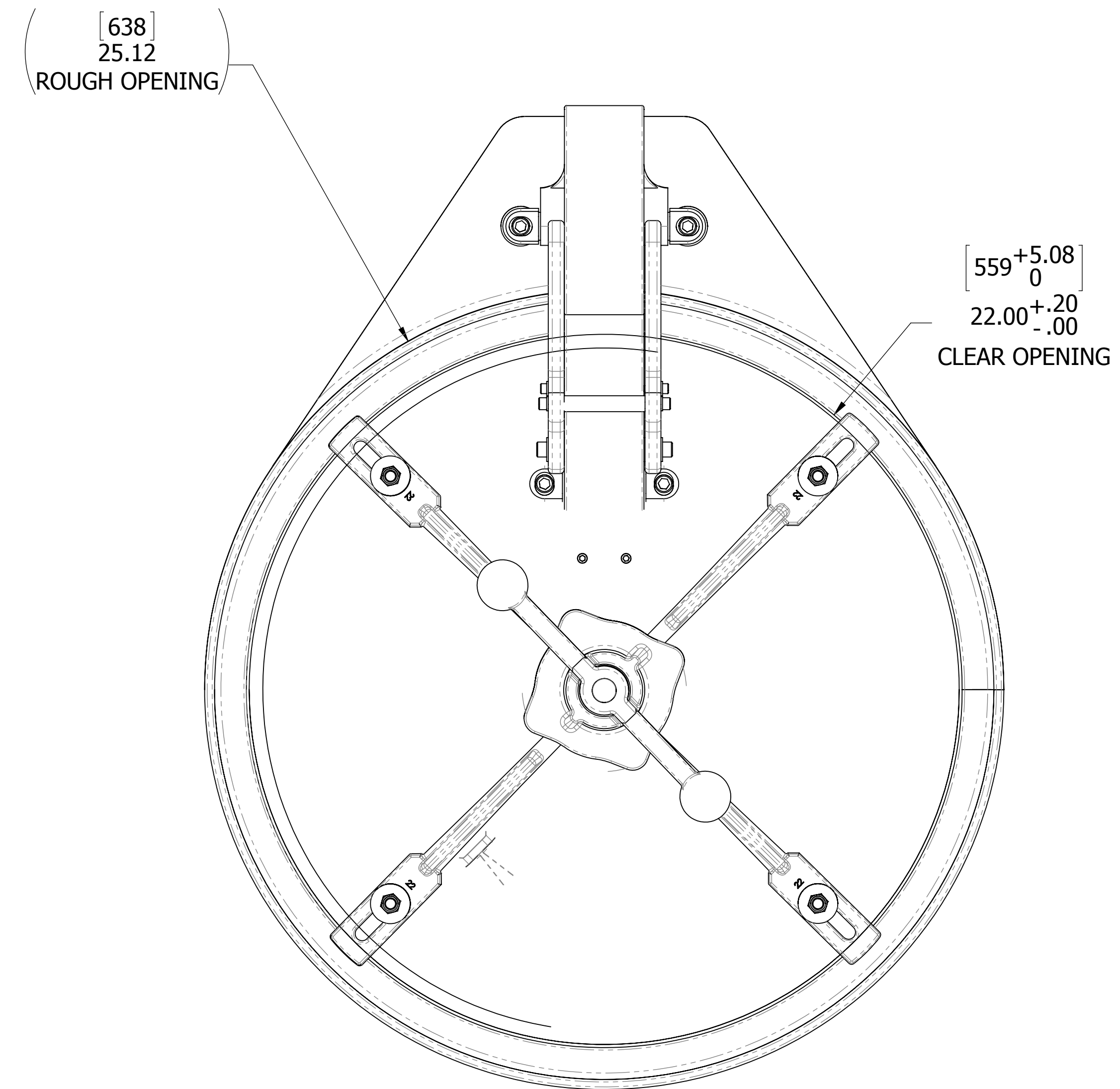
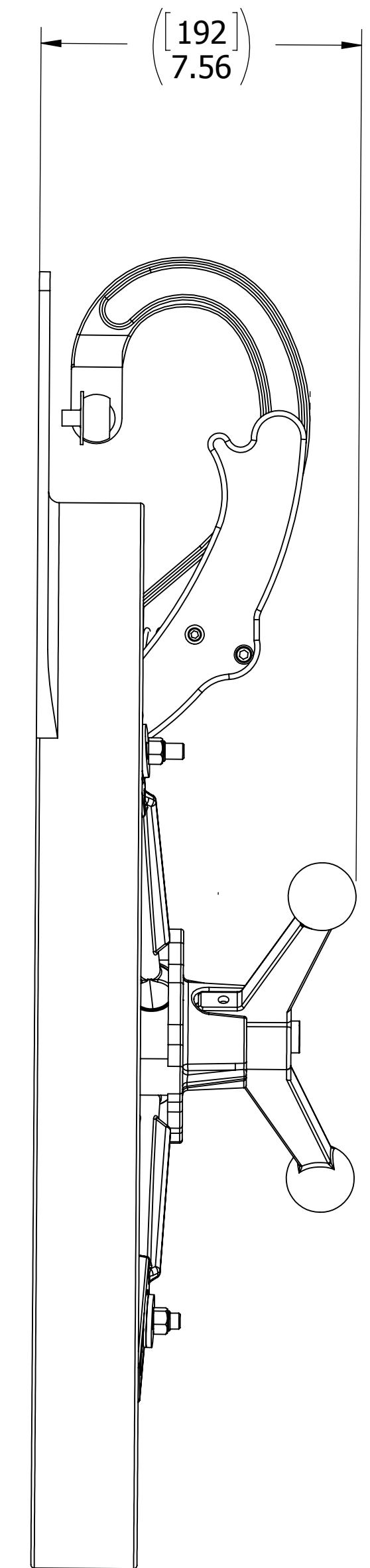
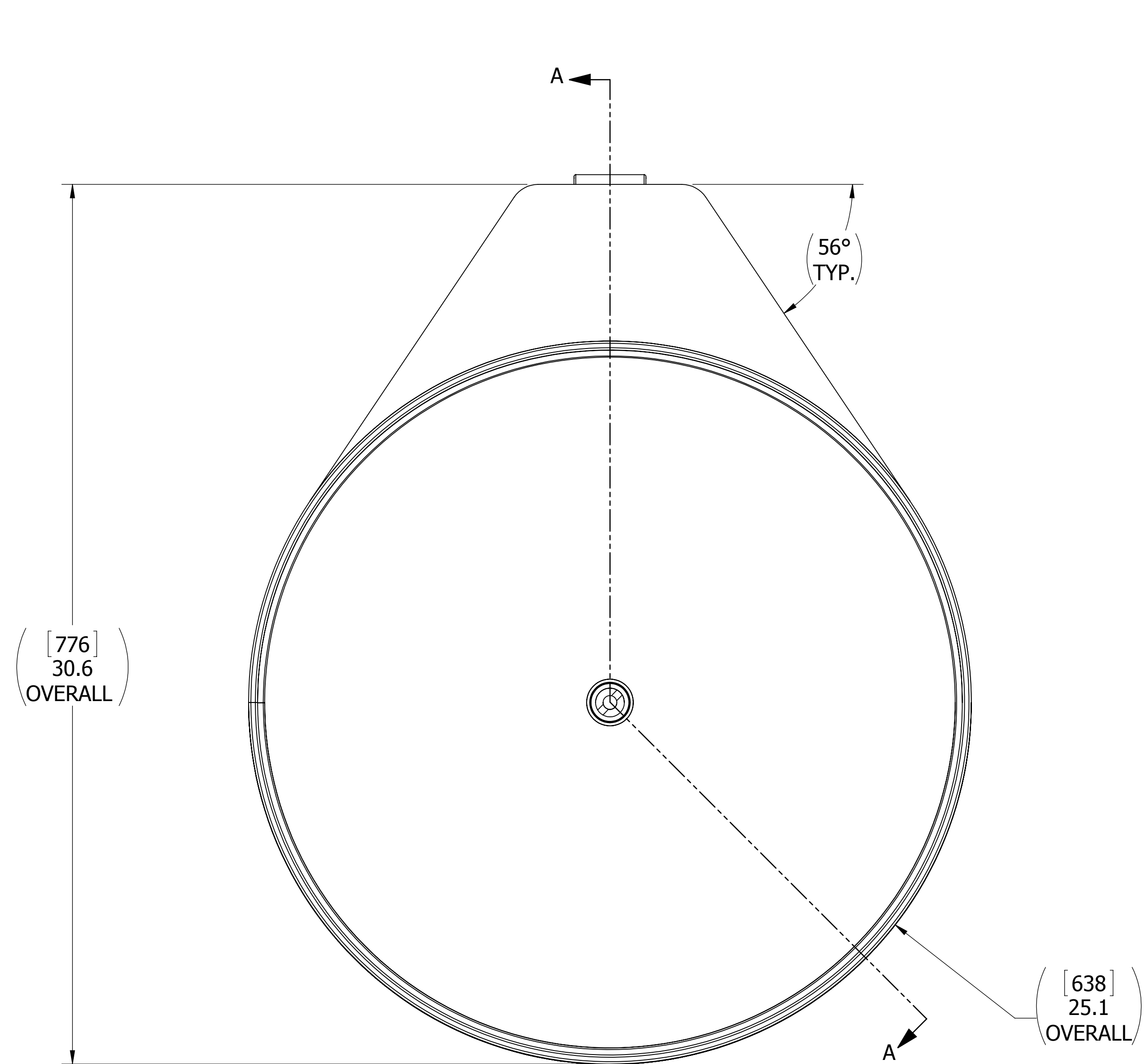
1

D

C

B

A



- 8. THIS DRAWING PROVIDES THE GENERAL CONFIGURATION OF A HATCH. FOR SPECIFIC INFORMATION CONTACT ADVANCED MARINE TECHNOLOGIES SALES.
 - 7. DOGGING PRESSURE FULLY ADJUSTABLE.
 - 6. ALUMINUM ALLOY MECHANISM SHOWN.
 - 5. FLUSH, WATERTIGHT CONSTRUCTION.
 - 4. MILD STEEL RING AND FLANGE CAN BE DRILLED FOR BOLTED INSTALLATIONS, OR WELDED TO STEEL.
 - 3. CAST ALUMINUM COVER.
 - 2. QUICK ACTING MECHANISM ENGAGES OR DISENGAGES IN QUARTER-TURN OF CENTER SPINDLE.
 - 1. ALL DIMENSIONS SHOWN SUBJECT TO CASTING VARIATION AND ARE FOR REFERENCE ONLY.
- NOTES: UNLESS OTHERWISE SPECIFIED.

REV.	DESCRIPTION	DATE	DRAWN
A	PRODUCTION RELEASE	23MAY13	ZJC

SPECIFICATIONS SUBJECT TO CHANGE WITHOUT NOTICE.

PROJECTION

UNLESS OTHERWISE SPECIFIED DIMENSIONS ARE IN INCHES, TOLERANCES FOR ROUGH AND CLEAR OPENING ± .125 INCH. ALL OTHERS ARE:

.X	.XX	.XXX	ANGLES
±.1	±.03	±.010	±2°

DO NOT SCALE DRAWING

FREEMAN MARINE EQUIPMENT, INC.

28336 HUNTER CREEK ROAD
GOLD BEACH, OR 97444 U.S.A.
PHONE: 541-247-7078 FAX: 541-247-2114
www.freemanmarine.com

CONFIDENTIAL PROPERTY OF FREEMAN MARINE EQUIPMENT INC.
UNAUTHORIZED USE, COPYING OR DISTRIBUTION IS STRICTLY PROHIBITED. POSSESSOR OF THIS DOCUMENT AGREES TO THE FOREGOING AND SHALL RETURN THIS DOCUMENT UPON REQUEST.
© ALL RIGHTS RESERVED 2004

CLIENT: FREEMAN MARINE

TITLE: HATCH: 22-H [K] RO INTEGRAL YOKE

DRAWN: Z. CARPENTER DATE: 23MAY13
CHECKED: D. YOES DATE: 23MAY13
ENGR: DATE:
DESIGN ACTIVITY: DATE:
CONTRACT NO.:

SIZE	CAGE CODE	DRAWING NUMBER	REV.
D	64747	2486-0063-0001	A

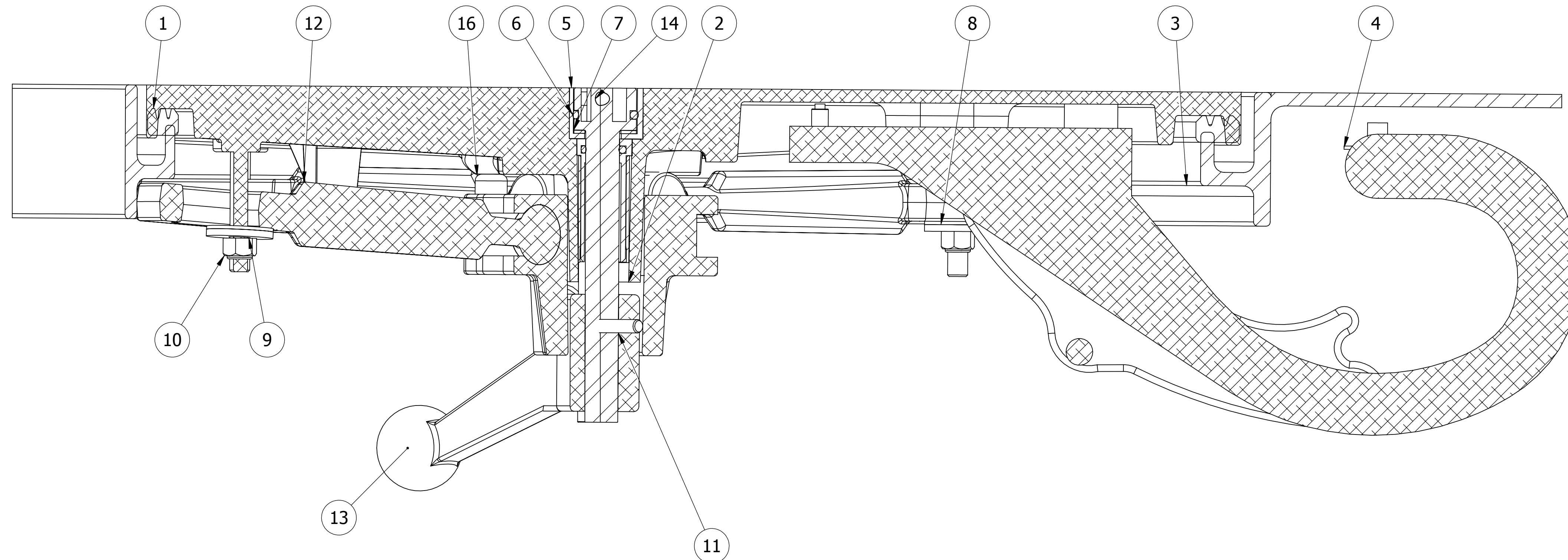
SCALE: 1:3 CALC. WT. ACT. WT. SHEET 1 OF 3

D

C

B

A



SECTION A-A

ITEM NO.	QTY.	PART NUMBER	DESCRIPTION	MATERIAL
16	1	0011-2006	HUB, 4 HOLE - SHORT	ALUMINUM, 535.2
15	1	0031-2001	BUSHING ASSY, STD HATCH, W/SLEEVE	REF. S/A - B.O.M.
14	1	0031-2107	SPINDLE, INTERLOCKING, FLUSH TO 1/4 TEAK	STAINLESS STEEL, 316L
13	1	0112-2003	ESCAPE HANDLE, AL	ALUMINUM, 535.2-F
12	4	0211-2010	DOG, LOCKING ARM 24, AL	ALUMINUM, 535.2-F
11	1	0411-2004	PIN, KNURLED, 1/4 X 2-1/4, 316 S/S	STAINLESS STEEL, 316L
10	4	0411-2032	LOCKNUT, NYLON INSERT, 3/8-16, 316 S/S	STAINLESS STEEL, 316
9	4	0411-2033	WASHER, .406 X 1.25 X .125, 316 S/S	STAINLESS STEEL, 316
8	4	0413-2005	WASHER, .406 X 1.250 X .062 NYLON	NYLON
7	1	0413-2049	WASHER, SHIM CAST HATCH BI-SQ	ACETAL, BLACK
6	1	0441-2045	O-RING, 27MM X 4MM	BUNA-N
5	1	0441-2133	CUP, INTERLOCKING SPINDLE, FLUSH TO 1/4	STAINLESS STEEL, 316L
4	1	0461-2077	HINGE ASSY, YOKE, CAST HATCH, W/HOLD OPEN	REF S/A B.O.M.
3	1	2486-1003	RING: 22K STEEL, 615-9001	MILD STEEL
2	1	2486-3041	COVER, YOKE, (22-H K)	356-T6, ALUM.
1	1	9835-2007	GASKET, 20ALK (4.93' OF 0631-9835)	NEOPRENE

- 3. FINISH: 125 RMS MAX.
 - 2. BREAK SHARP EDGES AND DEBURR.
 - 1. MATERIAL:
- NOTES: UNLESS OTHERWISE SPECIFIED.

SPECIFICATIONS SUBJECT TO CHANGE WITHOUT NOTICE.		FREEMAN MARINE EQUIPMENT, INC. 28336 HUNTER CREEK ROAD GOLD BEACH, OR 97444 U.S.A. PHONE: 541-247-7078 FAX: 541-247-2114 www.freemanmarine.com	
PROJECTION		CLIENT: FREEMAN MARINE	
UNLESS OTHERWISE SPECIFIED DIMENSIONS ARE IN INCHES, TOLERANCES FOR ROUGH AND CLEAR OPENING ± .125 INCH. ALL OTHERS ARE: .X .XX .XXX ANGLES ±.1 ±.03 ±.010 ±2°		TITLE: HATCH: 22-H [K] RO INTEGRAL YOKE	
DO NOT SCALE DRAWING		SIZE: D	CAGE CODE: 64747
REV. DESCRIPTION: A PRODUCTION RELEASE DATE: 23MAY13 DRAWN: ZJC		DRAWING NUMBER: 2486-0063-0001	REV. A
CONTRACT NO.:		SCALE: 3:4	SHEET 2 OF 3

