

8

7

6

5

4

3

2

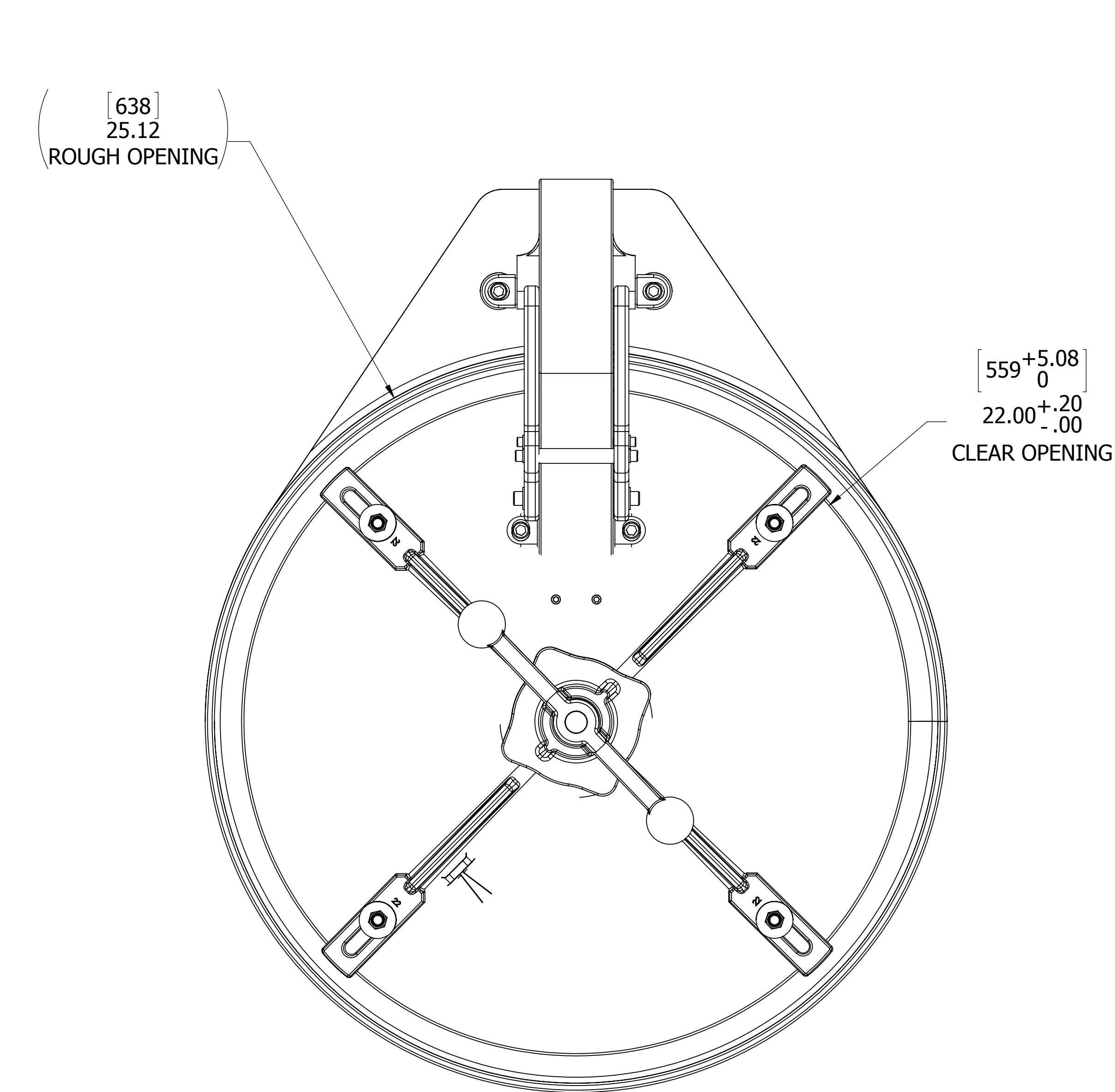
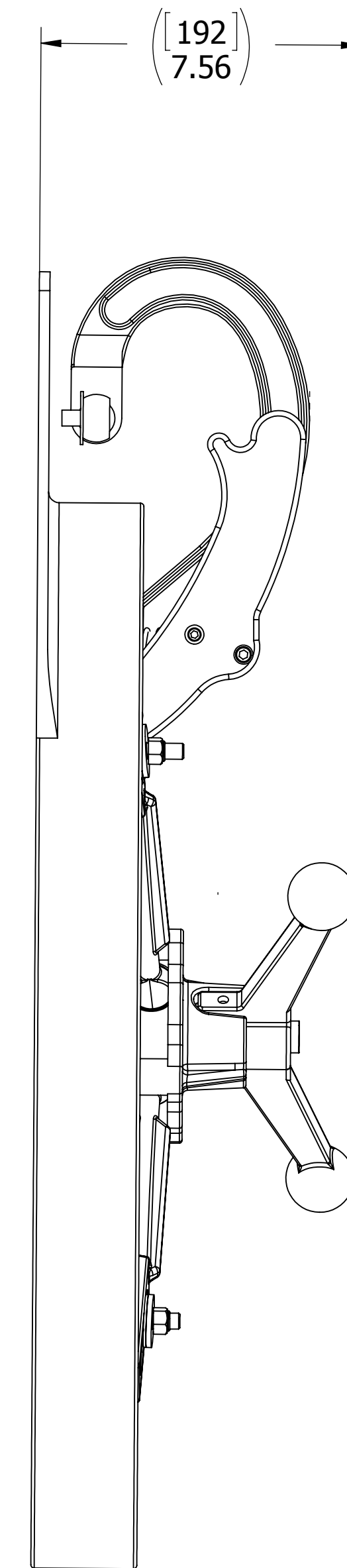
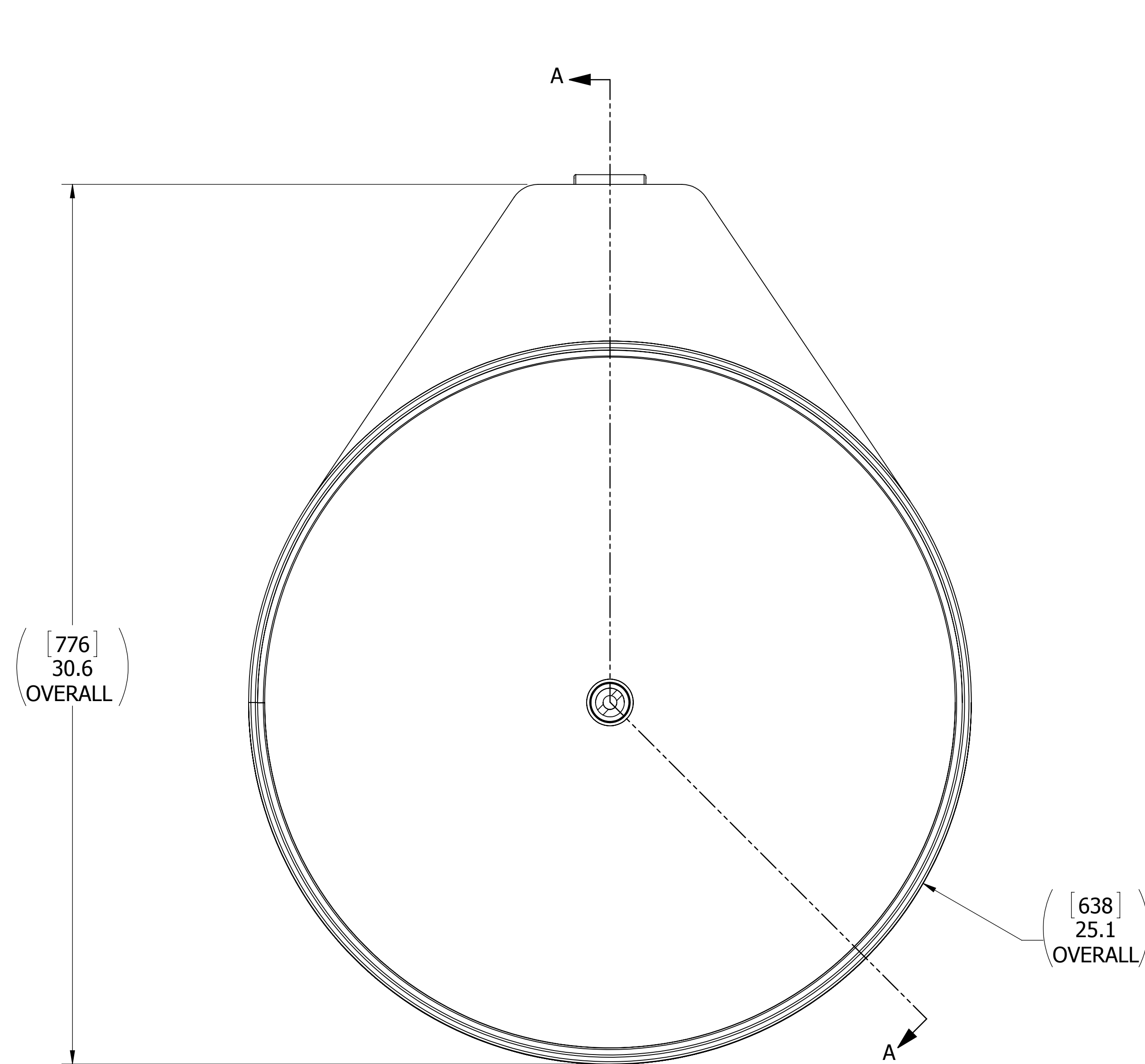
1

D

C

B

A



- 8. THIS DRAWING PROVIDES THE GENERAL CONFIGURATION OF A HATCH. FOR SPECIFIC INFORMATION CONTACT ADVANCED MARINE TECHNOLOGIES SALES.
- 7. DOGGING PRESSURE FULLY ADJUSTABLE.
- 6. ALUMINUM ALLOY MECHANISM SHOWN.
- 5. FLUSH, WATERTIGHT CONSTRUCTION.
- 4. STAINLESS STEEL RING AND FLANGE CAN BE DRILLED FOR BOLTED INSTALLATIONS, OR WELDED.
- 3. CAST ALUMINUM COVER.
- 2. QUICK ACTING MECHANISM ENGAGES OR DISENGAGES IN QUARTER-TURN OF CENTER SPINDLE.
- 1. ALL DIMENSIONS SHOWN SUBJECT TO CASTING VARIATION AND ARE FOR REFERENCE ONLY.

NOTES: UNLESS OTHERWISE SPECIFIED.

REV.	DESCRIPTION	DATE	DRAWN
A	PRODUCTION RELEASE	23MAY13	ZJC

SPECIFICATIONS SUBJECT TO CHANGE WITHOUT NOTICE.

PROJECTION

UNLESS OTHERWISE SPECIFIED DIMENSIONS ARE IN INCHES, TOLERANCES FOR ROUGH AND CLEAR OPENING ± .125 INCH. ALL OTHERS ARE:

.X	.XX	.XXX	ANGLES
±.1	±.03	±.010	±2°

DO NOT SCALE DRAWING

FREEMAN MARINE EQUIPMENT, INC.

28336 HUNTER CREEK ROAD
GOLD BEACH, OR 97444 U.S.A.
PHONE: 541-247-7078 FAX: 541-247-2114
www.freemanmarine.com

CLIENT: FREEMAN MARINE

TITLE: HATCH: 22-H [K] RO INTEGRAL YOKE

SIZE: D CAGE CODE: 64747 DRAWING NUMBER: 2486-0065-0001 REV. A

SCALE: 1:3 CALC. WT. ACT. WT. SHEET 1 OF 3

CONFIDENTIAL PROPERTY OF FREEMAN MARINE EQUIPMENT INC. UNAUTHORIZED USE, COPYING OR DISTRIBUTION IS STRICTLY PROHIBITED. POSSESSOR OF THIS DOCUMENT AGREES TO THE FOREGOING AND SHALL RETURN THIS DOCUMENT UPON REQUEST. © ALL RIGHTS RESERVED 2004

DRAWN: Z. CARPENTER DATE: 23MAY13
CHECKED: D. YOES DATE: 23MAY13
ENGR: DATE:
DESIGN ACTIVITY: DATE:
CONTRACT NO.:

8

7

6

5

4

3

2

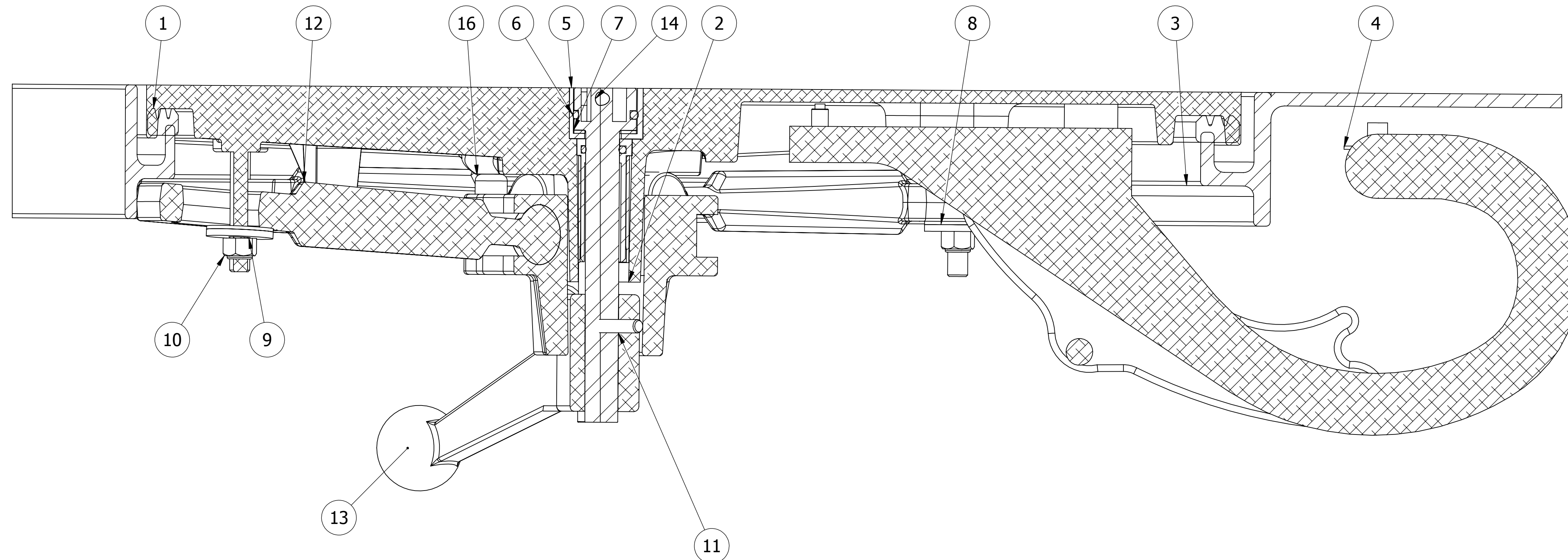
1

D

C

B

A



SECTION A-A

ITEM NO.	QTY.	PART NUMBER	DESCRIPTION	MATERIAL
16	1	0011-2006	HUB, 4 HOLE - SHORT	ALUMINUM, 535.2
15	1	0031-2001	BUSHING ASSY, STD HATCH, W/SLEEVE	REF. S/A - B.O.M.
14	1	0031-2107	SPINDLE, INTERLOCKING, FLUSH TO 1/4 TEAK	STAINLESS STEEL, 316L
13	1	0112-2003	ESCAPE HANDLE, AL	ALUMINUM, 535.2-F
12	4	0211-2010	DOG, LOCKING ARM 24, AL	ALUMINUM, 535.2-F
11	1	0411-2004	PIN, KNURLED, 1/4 X 2-1/4, 316 S/S	STAINLESS STEEL, 316L
10	4	0411-2032	LOCKNUT, NYLON INSERT, 3/8-16, 316 S/S	STAINLESS STEEL, 316
9	4	0411-2033	WASHER, .406 X 1.25 X .125, 316 S/S	STAINLESS STEEL, 316
8	4	0413-2005	WASHER, .406 X 1.250 X .062 NYLON	NYLON
7	1	0413-2049	WASHER, SHIM CAST HATCH BI-SQ	ACETAL, BLACK
6	1	0441-2045	O-RING, 27MM X 4MM	BUNA-N
5	1	0441-2133	CUP, INTERLOCKING SPINDLE, FLUSH TO 1/4	STAINLESS STEEL, 316L
4	1	0461-2077	HINGE ASSY, YOKE, CAST HATCH, W/HOLD OPEN	REF S/A B.O.M.
3	1	2486-1005	RING: 22K S/S, 615-9001	STAINLESS STEEL
2	1	2486-3041	COVER, YOKE, (22-H K)	356-T6, ALUM.
1	1	9835-2007	GASKET, 20ALK (4.93' OF 0631-9835)	NEOPRENE

- 3. FINISH: 125 RMS MAX.
 - 2. BREAK SHARP EDGES AND DEBURR.
 - 1. MATERIAL:
- NOTES: UNLESS OTHERWISE SPECIFIED.

REV.	DESCRIPTION	DATE	DRAWN
A	PRODUCTION RELEASE	23MAY13	ZJC

SPECIFICATIONS SUBJECT TO CHANGE WITHOUT NOTICE.

PROJECTION

UNLESS OTHERWISE SPECIFIED DIMENSIONS ARE IN INCHES, TOLERANCES FOR ROUGH AND CLEAR OPENING ± .125 INCH. ALL OTHERS ARE:

.X	.XX	.XXX	ANGLES
±.1	±.03	±.010	±2°

DO NOT SCALE DRAWING

FREEMAN MARINE EQUIPMENT, INC.

28336 HUNTER CREEK ROAD
GOLD BEACH, OR 97444 U.S.A.
PHONE: 541-247-7078 FAX: 541-247-2114
www.freemanmarine.com

CONFIDENTIAL PROPERTY OF FREEMAN MARINE EQUIPMENT INC.
UNAUTHORIZED USE, COPYING OR DISTRIBUTION IS STRICTLY PROHIBITED. POSSESSOR OF THIS DOCUMENT AGREES TO THE FOREGOING AND SHALL RETURN THIS DOCUMENT UPON REQUEST.

© ALL RIGHTS RESERVED 2004

DRAWN: Z. CARPENTER DATE: 23MAY13
CHECKED: D. YOES DATE: 23MAY13
ENGR: DATE:
DESIGN ACTIVITY: DATE:
CONTRACT NO.:

CLIENT: FREEMAN MARINE

TITLE: HATCH: 22-H [K] RO INTEGRAL YOKE

SIZE	CAGE CODE	DRAWING NUMBER	REV.
D	64747	2486-0065-0001	A

SCALE: 3:4 CALC. WT. ACT. WT. SHEET 2 OF 3

8

7

6

5

4

3

2

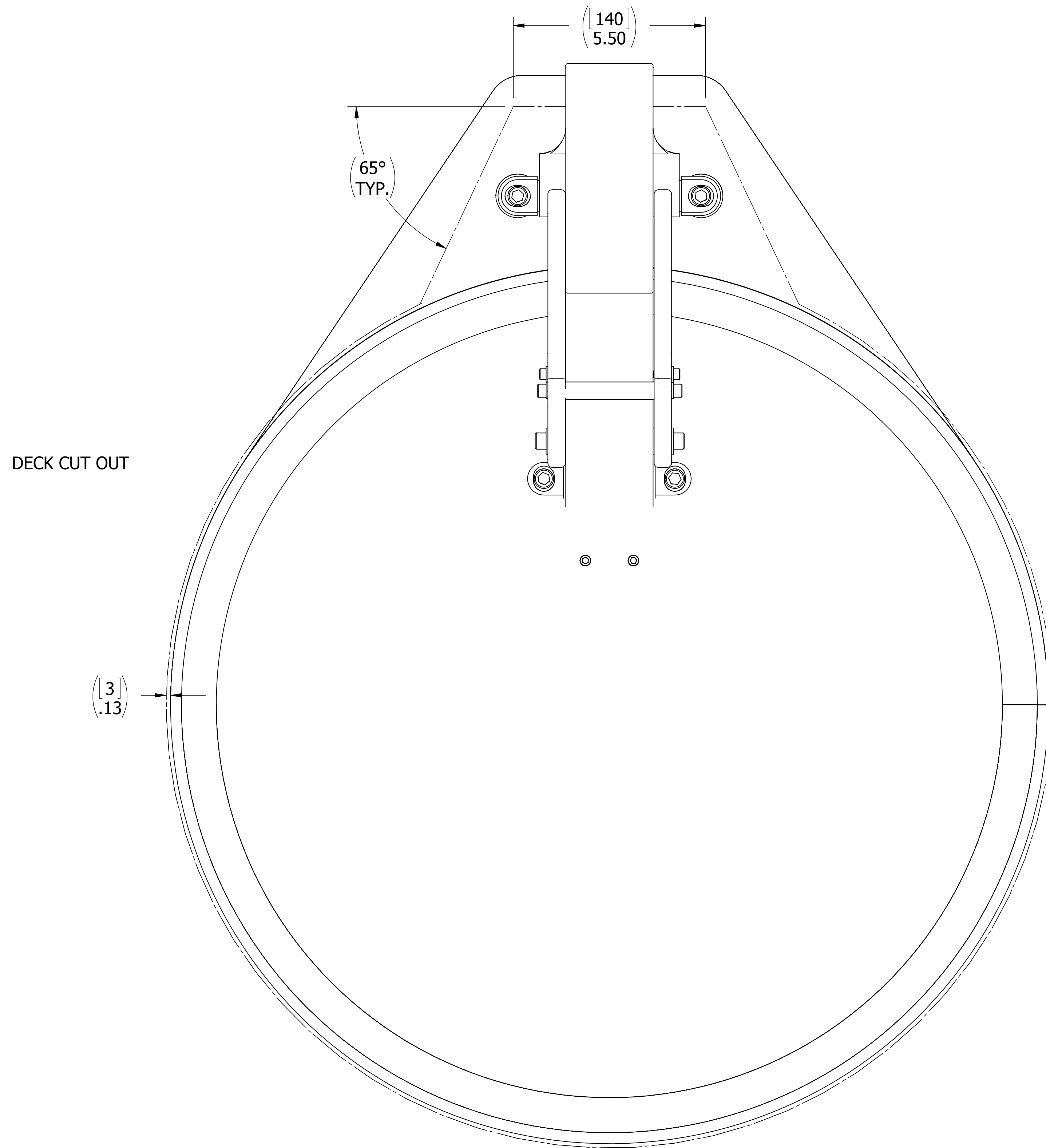
1

D

C

B

A



- 3. FINISH: 125 RMS MAX.
 - 2. BREAK SHARP EDGES AND DEBURR.
 - 1. MATERIAL:
- NOTES: UNLESS OTHERWISE SPECIFIED.

CUSTOMER APPROVAL

Signature: _____

Date: _____

IMPORTANT! THIS DRAWING SUPERSEDES ALL OTHER DOCUMENTS. By signing this approval you accept and agree that the dimensions and details shown are correct and properly fit your application, regardless of any differences between this drawing and any contract specifications. Should you see any errors in the drawing, or have any questions, please contact your Freeman Marine sales engineer for clarification.

A	PRODUCTION RELEASE	23MAY13	ZJC
REV.	DESCRIPTION:	DATE:	DRAWN

SPECIFICATIONS SUBJECT TO CHANGE WITHOUT NOTICE.

PROJECTION

UNLESS OTHERWISE SPECIFIED DIMENSIONS ARE IN INCHES, TOLERANCES FOR ROUGH AND CLEAR OPENING ± .125 INCH. ALL OTHERS ARE:

.X	.XX	.XXX	ANGLES
±.1	±.03	±.010	±2°

DO NOT SCALE DRAWING

		28336 HUNTER CREEK ROAD GOLD BEACH, OR 97444 U.S.A. PHONE: 541-247-7078 FAX: 541-247-2114 www.freemanmarine.com	
		CLIENT: FREEMAN MARINE	
DRAWN: Z. CARPENTER CHECKED: D. YOES ENGR: _____ DESIGN ACTIVITY: _____ CONTRACT NO.: _____		DATE: 23MAY13 DATE: 23MAY13 DATE: _____	
TITLE: HATCH: 22-H [K] RO INTEGRAL YOKE		SIZE: D	CAGE CODE: 64747 DRAWING NUMBER: 2486-0065-0001 SCALE: 1:2
REV. A		ACT. WT.	SHEET 3 OF 3