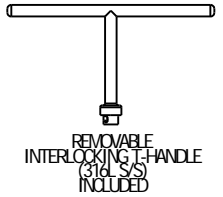


- FOR SPECIFIC INFORMATION CONTACT SALES.
- COMPLETE ASSEMBLY WEIGHT W/ DECK RING, 48LBS/ 21.8K.
- CONCEALED YOKE HINGE W/ KICK-UP.
- DOGGING PRESSURE FULLY ADJUSTABLE.
- ALUMINUM ALLOY MECHANISM SHOWN.
- FLUSH, WATERTIGHT CONSTRUCTION.
- INTELOCKING TOPSIDE "T" HANDLE STANDARD.
- ALUMINUM DECK RING W/ YOKE HINGE FLANGE.
- QUICK-ACTING MECHANISM ENGAGES OR DISENGAGES IN QUARTER-TURN OF CENTER SPINDLE.
- 15.0" X 24.0" CLEAR OPENING. ALL DIMENSIONS SHOWN SUBJECT TO CASTING VARIATION AND ARE REFERENCE ONLY.

**Notes:** UNLESS OTHERWISE SPECIFIED.



CUSTOMER APPROVAL  
 Signature: \_\_\_\_\_  
 Date: \_\_\_\_\_

IMPORTANT: THIS DRAWING SUPERSEDES ALL OTHER DOCUMENTS. By signing this approval you accept and agree that the dimensions and details shown are correct and properly fit your application, regardless of any differences between this drawing and any contract specifications. Should you see any errors in the drawing, or have any questions, please contact your Freeman Marine sales engineer for clarification.

SPECIFICATIONS SUBJECT TO CHANGE WITHOUT NOTICE.		<b>FREEMAN MARINE EQUIPMENT, INC.</b> <small>28336 HUNTER CREEK ROAD          GOLD BEACH, OR 97444 U.S.A.          PHONE: 541-247-7078 FAX: 541-247-2114          WWW.FREEMANMARINE.COM</small>	
PROJECTION 	UNLESS OTHERWISE SPECIFIED DIMENSIONS ARE IN INCHES. TOLERANCES FOR ROUGH AND CLEAR OPENING: ± .125 INCH ALL OTHERS ARE: X XX XXX ANGLE ±.1 ±.03 ±.010 ±.2°	CLIENT: FREEMAN MARINE EQUIPMENT TITLE: 15" X 24" OVAL "K" STYLE ALUMINUM CAST HATCH ALUMINUM DECK RING, YOKE HINGE, FLUSH, W/ INTEGRAL TOPSIDE HANDLE	REV:
INITIAL RELEASE: 23 JUL 10 RR	DATE: DWN	DRAWN: R. REESE DATE: 23 JUL 10 CHECKED: P. CANCELLER DATE: 23 JUL 10 ENGR: DATE: DESIGN ACTIVITY: DATE: CONTRACT NO.:	SIZE: D PAGE CODE: 64747 DRAWING NUMBER: 2490-0062-0001 SCALE: 1:1 CALC. WT.: ACT. WT.: SHEET 1 OF 2

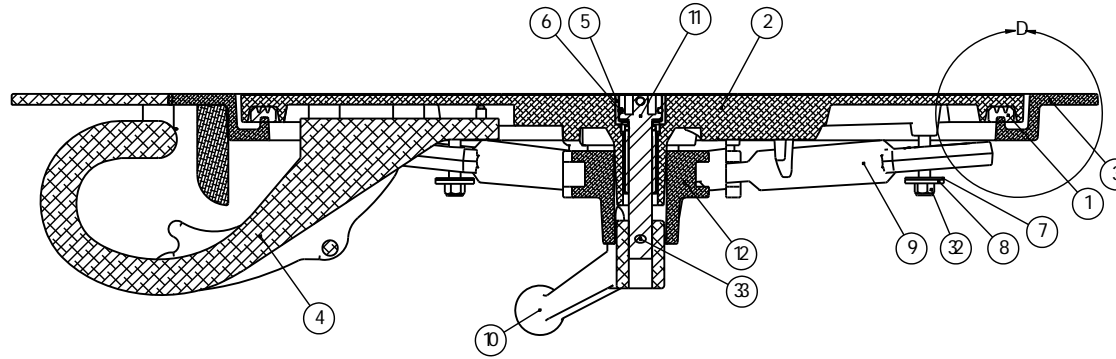
8 7 6 5 4 3 2 1

D

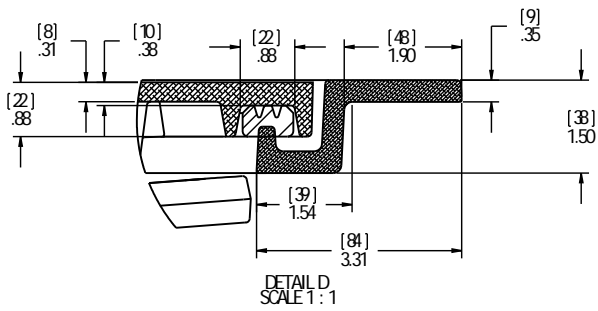
C

B

A



SECTION AA  
SCALE 1:2



DETAIL D  
SCALE 1:1

ITEM NO.	QTY.	PART NUMBER	DESCRIPTION	MATERIAL
33	1	0411-2004	PIN, KNURLED, 1/4 X 2-1/4	STAINLESS STEEL, 316L
32	4	0411-2032	LOCKNUT, NYLON INSERT, 3/8-16	STAINLESS STEEL, 316
12	1	0011-2006	HUB, 4 HOLE - SHORT	ALUMINUM, 535.2
11	1	0031-2107	SPINDLE, INTERLOCKING, FLUSH TO 1/4"	STAINLESS STEEL, 316L
10	1	0112-2003	ESCAPE HANDLE	ALUMINUM, 535.2-F
9	4	0211-2004	DOG, LOCKING ARM	ALUMINUM, 535.2-F
8	4	0411-2033	WASHER, FLAT, 1.250 X .406 X .125	STAINLESS STEEL, 316
7	8	0413-2005	WASHER, .406 x 1.250 x .062	NYLON
6	1	0441-2045	O-RING, 27MM X 4MM	BUNA-N
5	1	0441-2341	CUP, INTERLOCKING SPINDLE, FLUSH TO 1/4"	MACETRON GP, BLACK
4	1	0462-2104	HINGE, YOKE, CAST HATCH	ALUMINUM ALLOY
3	1	2490-1002	RING, 1524K, W/YOKE FLANGE	ALUMINUM ALLOY
2	1	2490-3041	COVER: 1524K, YOKE HINGE	ALUMINUM, A356.0-F
1	1	9835-2008	GASKET, 1524K (5.58" OF 0631-9835)	NEOPRENE, 25 DURO

SPECIFICATIONS SUBJECT TO CHANGE WITHOUT NOTICE. PROJECTION		<b>FREEMAN</b> MARINE EQUIPMENT, INC.		28336 HUNTER CREEK ROAD GOLD BEACH, OR 97444 U.S.A. PHONE: 541-247-7078 FAX: 541-247-2114 WWW.FREEMAN-EQUIPMENT.COM	
UNLESS OTHERWISE SPECIFIED DIMENSIONS ARE IN INCHES. TOLERANCES FOR HOLE AND CLEARANCE ARE: ±.001 INCH ALL OTHERS ARE: X XX XXX ANGLES ±.1 ±.03 ±.010 ±.2° DON'T SCALE DRAWING		CLIENT: <b>FREEMAN MARINE EQUIPMENT</b> TITLE: <b>15" X 24" OVAL "K" STYLE ALUMINUM CAST HATCH ALUMINUM DECK RING, YOKE HINGE, FLUSH, W/ INTERLOCKING TOPSIDE HANDLE</b>		DATE: 23 JUL 10 DRAWN: R. REESE CHECKED: P. CANCELLER DATE: 23 JUL 10 SIZE: D DWG. NO.: 64747 DRAWING NUMBER: 2490-0062-0001 SCALE: 1:4 CALC. BY: ACT. BY:	
INITIAL RELEASE	23 JUL 10	RR		REV	
REV. DESCRIPTION	DATE	DRWN		REV	