

- 8. FOR SPECIFIC INFORMATION CONTACT SALES.
- 7. COMPLETE ASSEMBLY WEIGHT W/ DECK RING, 41LBS/ 18.6K.
- 6. DOGGING PRESSURE FULLY ADJUSTABLE.
- 5. ALUMINUM ALLOY MECHANISM SHOWN.
- 4. FLUSH, WATERTIGHT CONSTRUCTION.
- 3. CAST ALUMINUM ALLOY FLANGE, FLANGE CAN BE DRILLED FOR BOLTED INSTALLATIONS OR WELDED TO ALUMINUM.
- 2. QUICK-ACTING, MECHANISM ENGAGES OR DISENGAGES IN QUARTER-TURN OF CENTER SPINDLE.
- 1. 17.9" X 23.9" CLEAR OPENING, ALL DIMENSIONS SHOWN SUBJECT TO CASTING VARIATION AND ARE REFERENCE ONLY.

NOTES: UNLESS OTHERWISE SPECIFIED.

SPECIFICATIONS SUBJECT TO CHANGE WITHOUT NOTICE.		FREEMAN MARINE EQUIPMENT, INC. 28336 HUNTER CREEK ROAD GOLD BEACH, OR 97444 U.S.A. PHONE: 541-247-7078 FAX: 541-247-2114 www.freemanmarine.com	
PROJECTION		CLIENT: FREEMAN MARINE	
UNLESS OTHERWISE SPECIFIED DIMENSIONS ARE IN INCHES, TOLERANCES FOR ROUGH AND CLEAR OPENING ± .125 INCH. ALL OTHERS ARE: .X .XX .XXX ANGLES ±.1 ±.03 ±.010 ±2°		TITLE: MODEL 2491 1824-H (K) INTEGRAL YOKE CAST HATCH, ALUMINUM DECK RING	
DO NOT SCALE DRAWING		SIZE: CAGE CODE DRAWING NUMBER REV. D 64747 2491-0062-0001 -	
- INITIAL RELEASE 17FEB09 GJM	REV. DESCRIPTION: DATE: DRAWN	CONTRACT NO.:	SCALE: 1:4 CALC. WT. ACT. WT. SHEET 1 OF 3

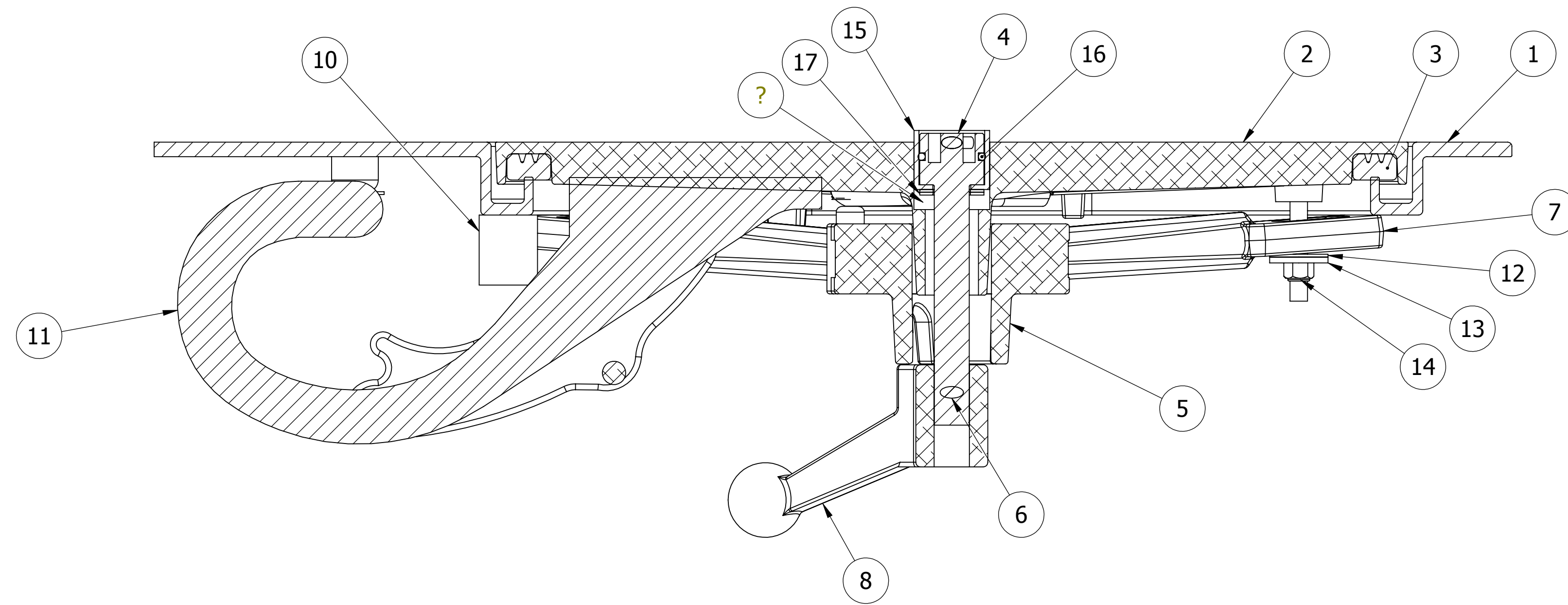
8 7 6 5 4 3 2 1

D

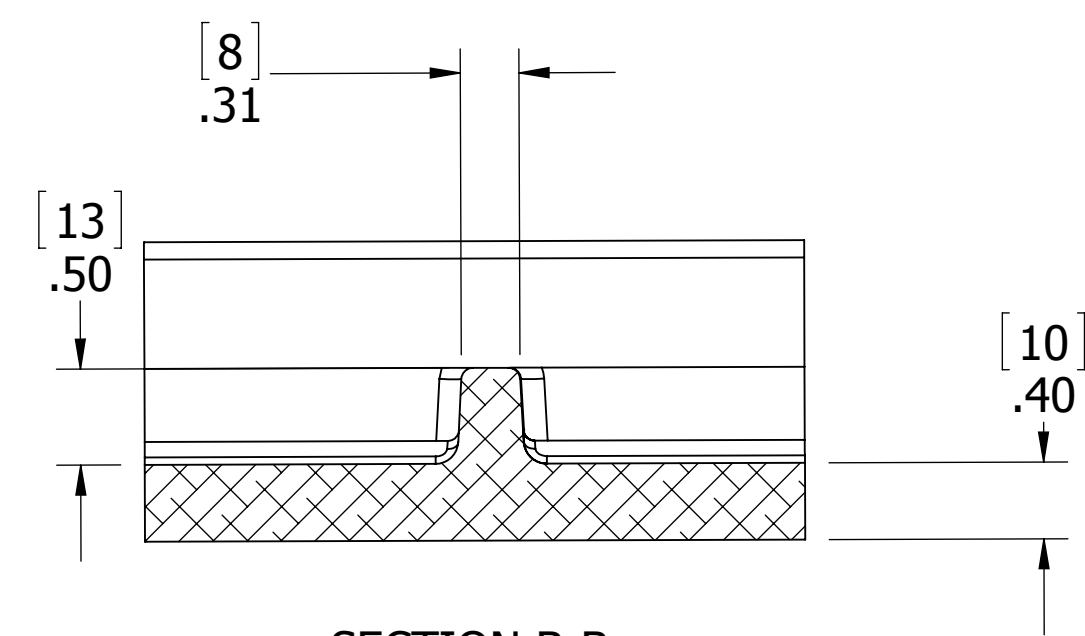
C

B

A



SECTION A-A
SCALE 1 : 2

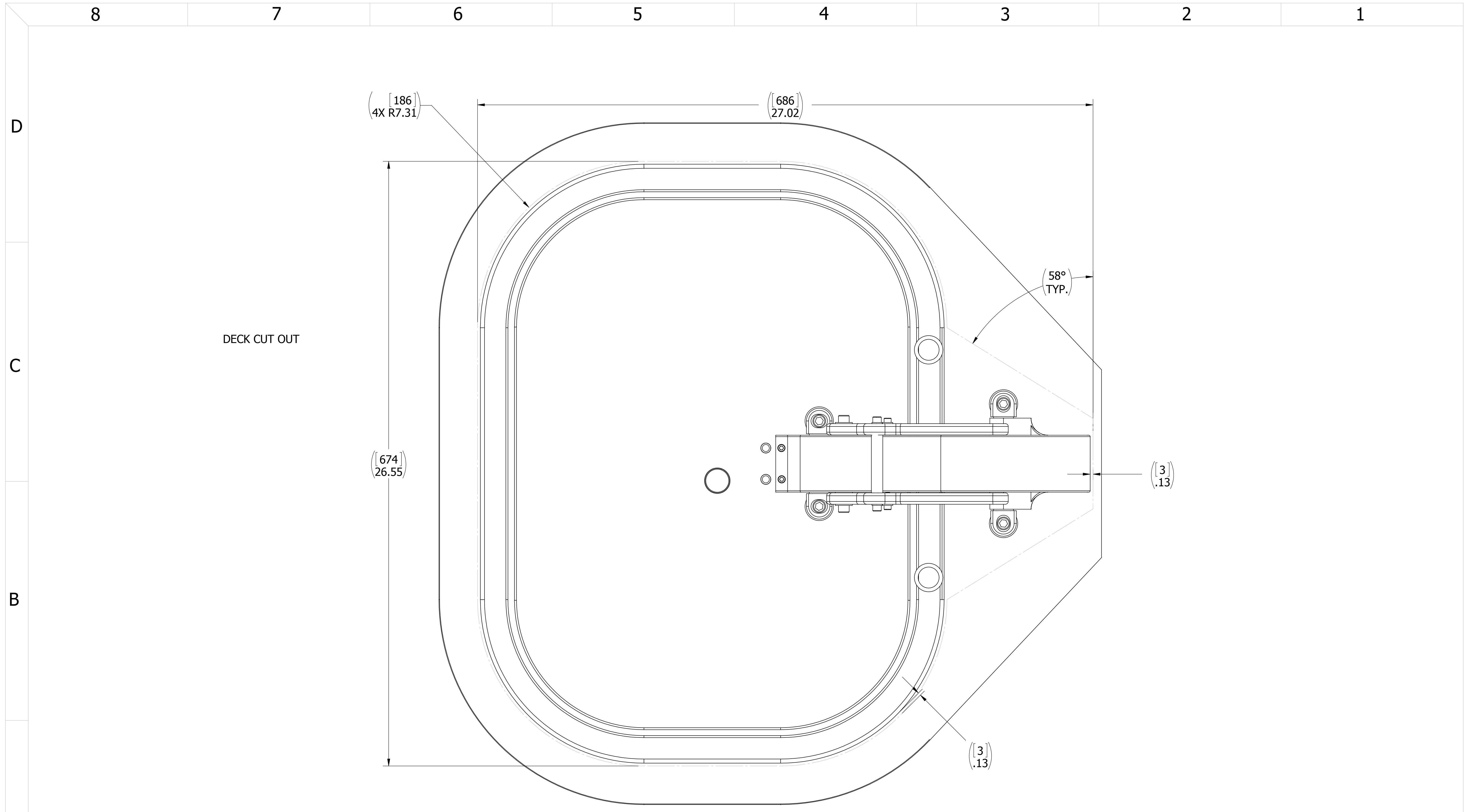


SECTION B-B
SCALE 1 : 1

ITEM NO.	QTY.	PART NUMBER	DESCRIPTION	MATERIAL
18	4	0462-2405	BOSS, MOUNT, YOKE HINGE, CAST HATCH (0611-9531)	6061-T6511 ALUMINUM
17	2	0413-2049	WASHER, SHIM CAST HATCH BI-SQ	ACETAL, BLACK
16	1	0441-2045	O-RING, 27MM X 4MM	BUNA-N
15	1	0441-2134	CUP, INTERLOCKING SPINDLE, 5/16 TO 1/2 T	316L STAINLESS STEEL
14	4	0411-2032	NUT .375IN-16 SS 316 NYLOCK	SS 316/316L
13	4	0411-2033	WASHER .406 X 1.25 X .125IN SS 316	SS 316/316L
12	4	0413-2005	WASHER, .406 X 1.250 X .062 NYLON	NYLON
11	1	0461-2077	HINGE ASSY, YOKE, CAST HATCH W/HOLD OPEN	ALUM W/ VARIOUS COMPONENTS
10	2	0435-2022	FITTING, 3/4-14 NPT, GUTTER DRAIN	ALUMINUM, 6061-T6/T651
9	1	0031-2001	BUSHING ASSY, STD HATCH, W/SLEEVE	VARIOUS
8	1	0112-2003	ESCAPE HANDLE, AL	ALUMINUM, 535.2-F
7	4	0211-2007	DOG, LOCKING ARM	ALUMINUM, 535.2-F
6	1	0411-2004	PIN KNURLED .25 X 2.25IN SS 316	SS 316/316L
5	1	0011-2006	HUB, 4 HOLE - SHORT	ALUMINUM, 535.2
4	1	0031-2108	SPINDLE, INTERLOCKING, 5/16 TO 1/2 TEAK	316L STAINLESS STEEL
3	1	0631-9813	GASKET	NEOPRENE
2	1	2421-3041	COVER, 1824 FLAT TOP	ALUMINUM
1	1	2491-1002	FLANGE, YOKE HINGE, 1824 CAST HATCH, SHORT	

NOTES: UNLESS OTHERWISE SPECIFIED.

SPECIFICATIONS SUBJECT TO CHANGE WITHOUT NOTICE.		FREEMAN MARINE EQUIPMENT, INC. 28336 HUNTER CREEK ROAD GOLD BEACH, OR 97444 U.S.A. PHONE: 541-247-7078 FAX: 541-247-2114 www.freemanmarine.com	
UNLESS OTHERWISE SPECIFIED DIMENSIONS ARE IN INCHES, TOLERANCES FOR ROUGH AND CLEAR OPENING ± .125 INCH. ALL OTHERS ARE: .X .XX .XXX ANGLES ±.1 ±.03 ±.010 ±2°		CLIENT: FREEMAN MARINE TITLE: MODEL 2491 1824-H (K) INTEGRAL YOKE CAST HATCH, ALUMINUM DECK RING	
PROJECTION		SIZE: D CAGE CODE: 64747 DRAWING NUMBER: 2491-0062-0001 REV. -	
DO NOT SCALE DRAWING		SCALE: 1:4 CALC. WT. ACT. WT. SHEET 2 OF 3	



8 7 6 5 4 3 2 1

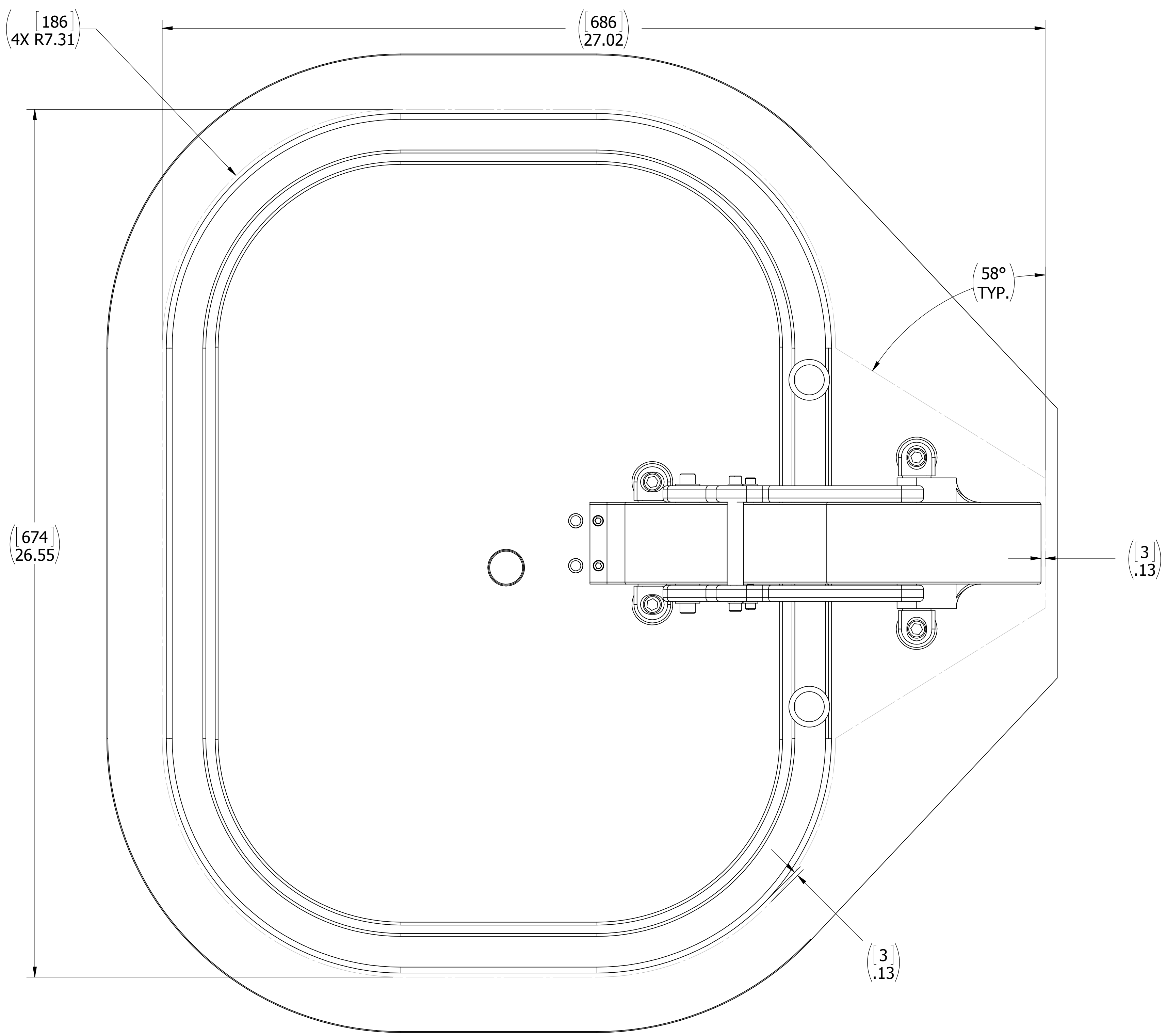
D

C

B

A

DECK CUT OUT



- 3. FINISH: 125 RMS MAX.
 - 2. BREAK SHARP EDGES AND DEBURR.
 - 1. MATERIAL: ALUMINUM
- NOTES: UNLESS OTHERWISE SPECIFIED.

CUSTOMER APPROVAL

Signature: _____

Date: _____

IMPORTANT! THIS DRAWING SUPERSEDES ALL OTHER DOCUMENTS. By signing this approval you accept and agree that the dimensions and details shown are correct and properly fit your application, regardless of any differences between this drawing and any contract specifications. Should you see any errors in the drawing, or have any questions, please contact your Freeman Marine sales engineer for clarification.

REV.	DESCRIPTION	DATE	DRAWN
-	INITIAL RELEASE	17FEB09	GJM

SPECIFICATIONS SUBJECT TO CHANGE WITHOUT NOTICE.

PROJECTION

UNLESS OTHERWISE SPECIFIED DIMENSIONS ARE IN INCHES, TOLERANCES FOR ROUGH AND CLEAR OPENING ± .125 INCH. ALL OTHERS ARE:

.X	.XX	.XXX	ANGLES
±.1	±.03	±.010	±2°

DO NOT SCALE DRAWING

FREEMAN MARINE EQUIPMENT, INC.

CONFIDENTIAL PROPERTY OF FREEMAN MARINE EQUIPMENT, INC. UNAUTHORIZED USE, REPRODUCTION OR DISTRIBUTION IS STRICTLY PROHIBITED. ALL COPIES REMAIN THE PROPERTY OF FREEMAN MARINE EQUIPMENT, INC. AND MUST BE RETURNED UPON REQUEST.

© ALL RIGHTS RESERVED 2012, FREEMAN MARINE EQUIPMENT, INC.

28336 HUNTER CREEK ROAD
GOLD BEACH, OR 97444 U.S.A.
PHONE: 541-247-7078 FAX: 541-247-2114
www.freemanmarine.com

CLIENT: **FREEMAN MARINE**

TITLE: **MODEL 2491 1824-H (K) INTEGRAL YOKE CAST HATCH, ALUMINUM DECK RING**

SIZE	CAGE CODE	DRAWING NUMBER	REV.
D	64747	2491-0062-0001	-

SCALE: 1:2 CALC. WT. ACT. WT. SHEET 3 OF 3