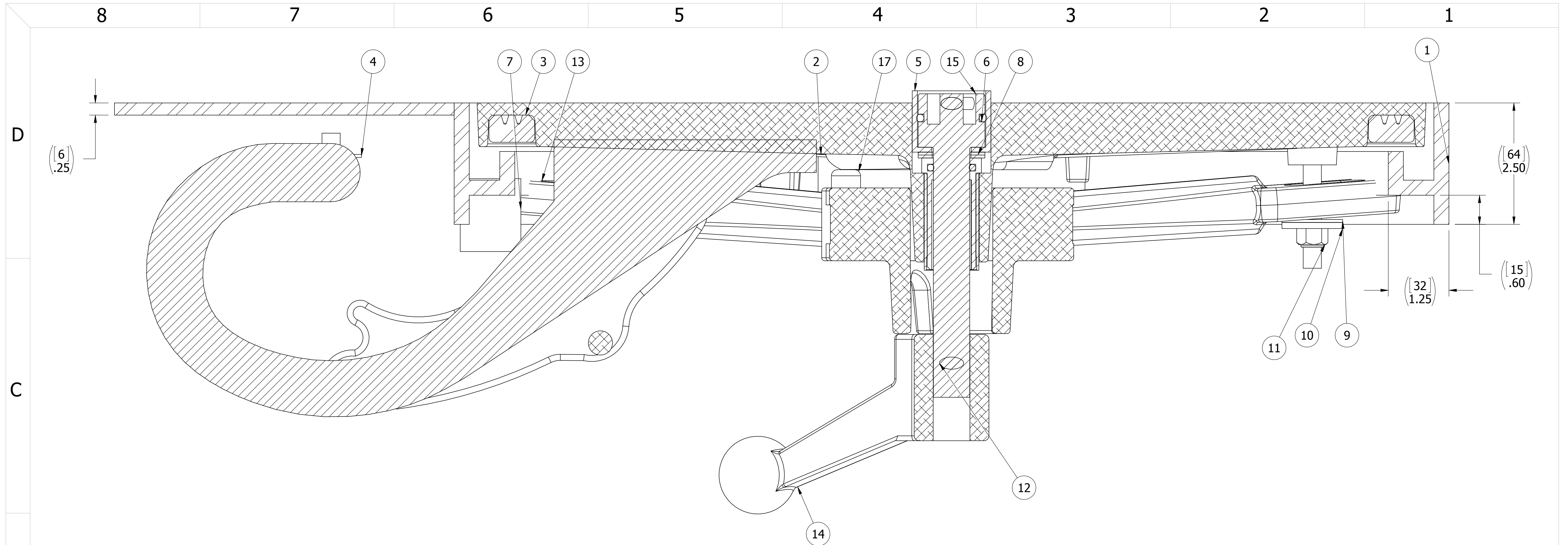


- 8. FOR SPECIFIC INFORMATION CONTACT SALES.
- 7. COMPLETE ASSEMBLY WEIGHT W/ DECK RING, 41LBS/ 18.6K.
- 6. DOGGING PRESSURE FULLY ADJUSTABLE.
- 5. ALUMINUM ALLOY MECHANISM SHOWN.
- 4. FLUSH, WATERTIGHT CONSTRUCTION.
- 3. STAINLESS STEEL RING AND FLANGE, FLANGE CAN BE DRILLED FOR BOLTED INSTALLATIONS OR WELDED.
- 2. QUICK-ACTING, MECHANISM ENGAGES OR DISENGAGES IN QUARTER-TURN OF CENTER SPINDLE.
- 1. 18" X 24" CLEAR OPENING, ALL DIMENSIONS SHOWN SUBJECT TO CASTING VARIATION AND ARE REFERENCE ONLY.

NOTES: UNLESS OTHERWISE SPECIFIED.

SPECIFICATIONS SUBJECT TO CHANGE WITHOUT NOTICE.		<b>FREEMAN MARINE EQUIPMENT, INC.</b> 28336 HUNTER CREEK ROAD GOLD BEACH, OR 97444 U.S.A. PHONE: 541-247-7078 FAX: 541-247-2114 www.freemanmarine.com	
UNLESS OTHERWISE SPECIFIED DIMENSIONS ARE IN INCHES, TOLERANCES FOR ROUGH AND CLEAR OPENING ± .125 INCH. ALL OTHERS ARE: .X .XX .XXX ANGLES ±.1 ±.03 ±.010 ±2°		CLIENT: <b>FREEMAN MARINE</b> TITLE: <b>MODEL 2491 1824-H (K) INTEGRAL YOKE CAST HATCH, STAINLESS STEEL RING</b>	
PROJECTION		CONFIDENTIAL PROPERTY OF FREEMAN MARINE EQUIPMENT INC. UNAUTHORIZED USE, COPYING OR DISTRIBUTION IS STRICTLY PROHIBITED. POSSESSOR OF THIS DOCUMENT AGREES TO THE FOREGOING AND SHALL RETURN THIS DOCUMENT UPON REQUEST. © ALL RIGHTS RESERVED 2004	
DO NOT SCALE DRAWING		DRAWN: Z. CARPENTER DATE: 28MAY13 CHECKED: D. YOES DATE: 28MAY13 ENGR: DATE: DESIGN ACTIVITY: DATE: CONTRACT NO.:	
A PRODUCTION RELEASE 28MAY13 ZJC		SIZE: <b>D</b> CAGE CODE: <b>64747</b> DRAWING NUMBER: <b>2491-0065-0001</b> REV. <b>A</b>	
REV. DESCRIPTION: DATE: DRAWN		SCALE: 1:4 CALC. WT. ACT. WT. SHEET 1 OF 3	

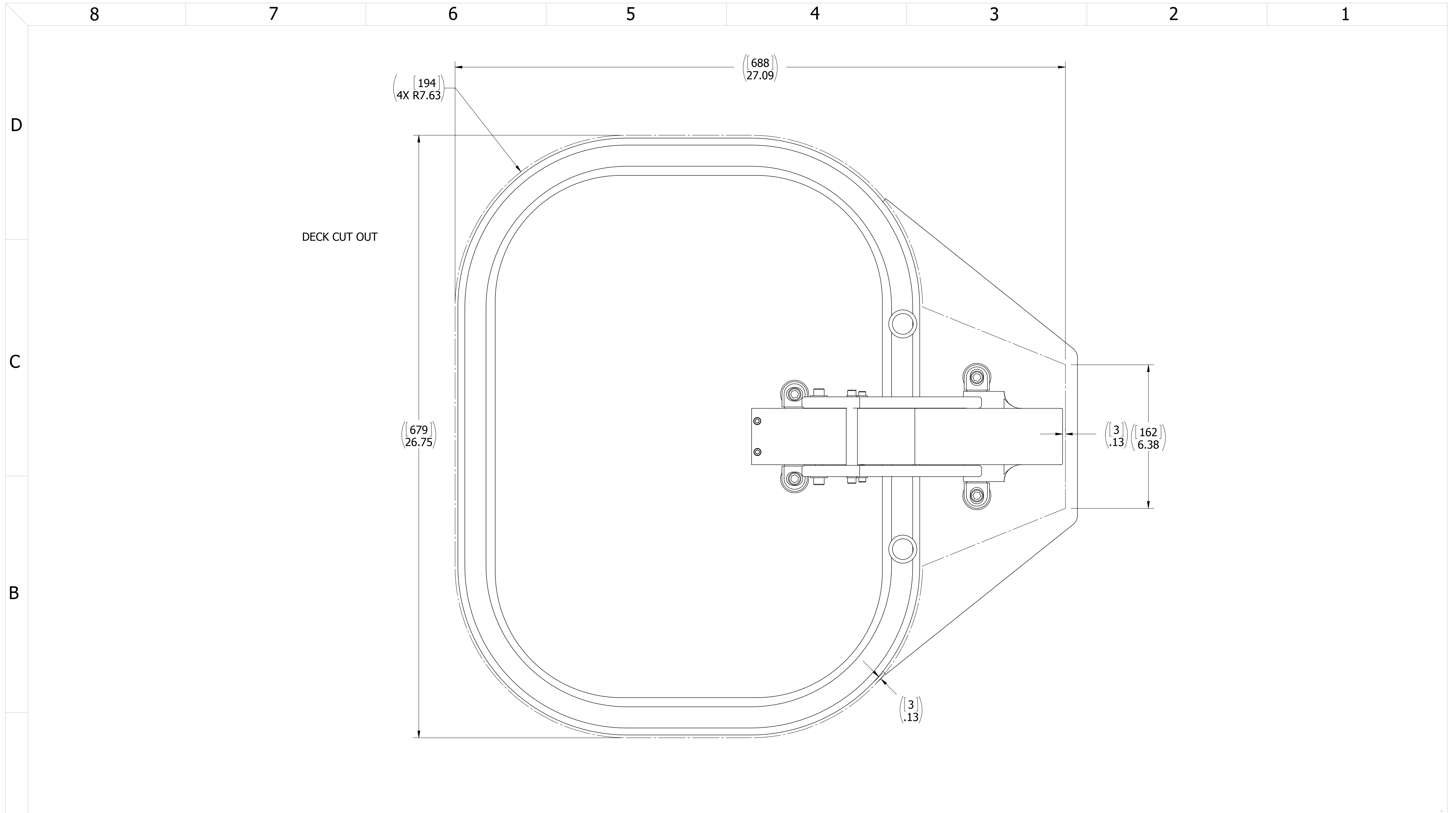


SECTION A-A  
SCALE 1 : 1

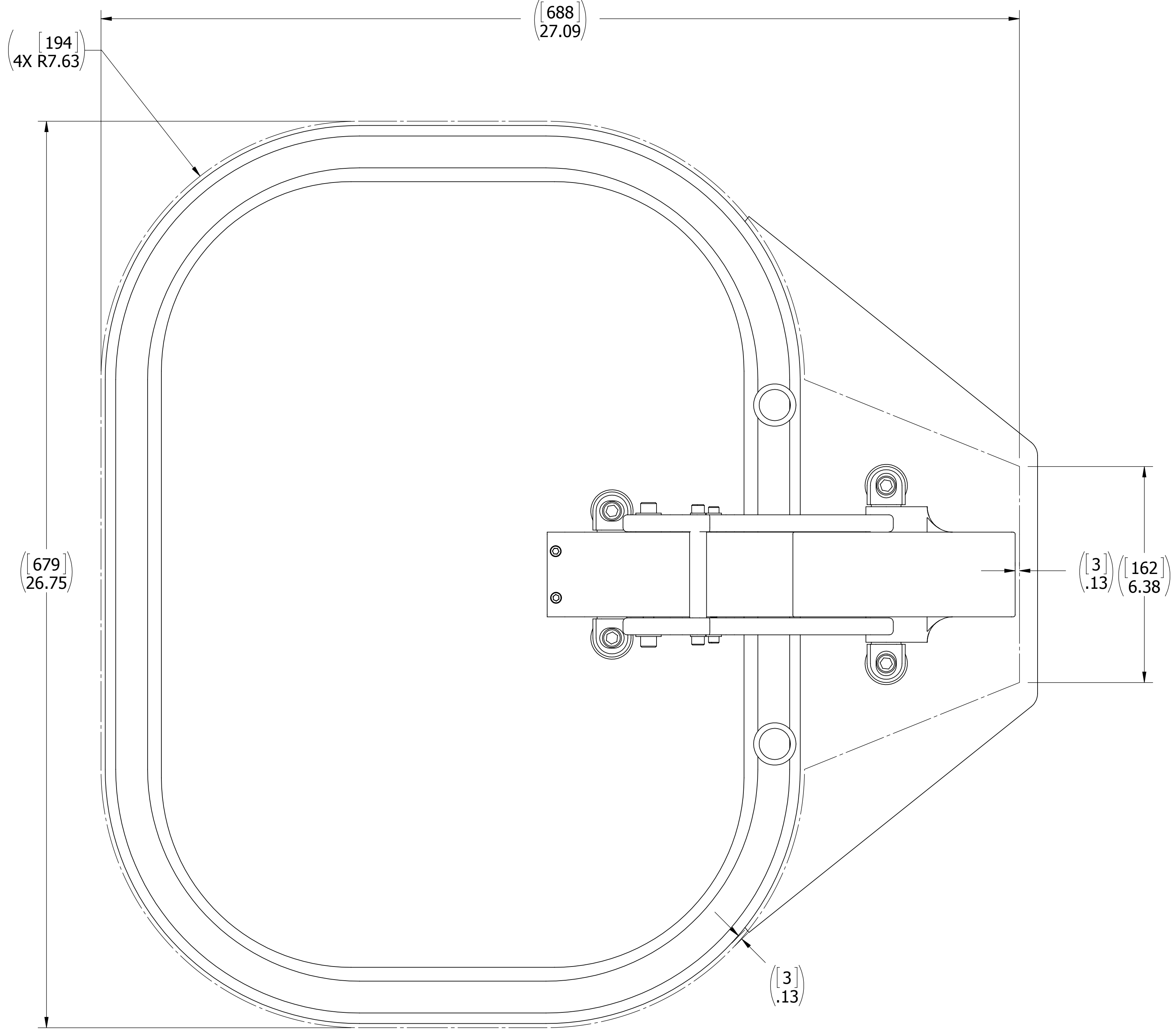
ITEM NO.	QTY.	PART NUMBER	DESCRIPTION	MATERIAL
17	1	0011-2006	HUB, 4 HOLE - SHORT	ALUMINUM, 535.2
16	1	0031-2001	BUSHING ASSY, STD HATCH, W/SLEEVE	REF. S/A - B.O.M.
15	1	0031-2108	SPINDLE, INTERLOCKING, 5/16 TO 1/2 TEAK	316L STAINLESS STEEL
14	1	0112-2003	ESCAPE HANDLE, AL	ALUMINUM, 535.2-F
13	4	0211-2007	DOG, LOCKING ARM	ALUMINUM, 535.2-F
12	1	0411-2004	PIN, KNURLED, 1/4 X 2-1/4, 316 S/S	STAINLESS STEEL, 316L
11	4	0411-2032	LOCKNUT, NYLON INSERT, 3/8-16, 316 S/S	STAINLESS STEEL, 316
10	4	0411-2033	WASHER, .406 X 1.25 X .125, 316 S/S	STAINLESS STEEL, 316
9	4	0413-2005	WASHER, .406 X 1.250 X .062 NYLON	NYLON
8	2	0413-2049	WASHER, SHIM CAST HATCH BI-SQ	ACETAL, BLACK
7	2	0435-2022	FITTING, 3/4-14 NPT, GUTTER DRAIN	ALUMINUM, 6061-T6/T651
6	1	0441-2045	O-RING, 27MM X 4MM	BUNA-N
5	1	0441-2134	CUP, INTERLOCKING SPINDLE, 5/16 TO 1/2 T	316L STAINLESS STEEL
4	1	0461-2077	HINGE ASSY, YOKE, CAST HATCH, W/HOLD OPEN	REF S/A B.O.M.
3	1	0631-9813	GASKET	NEOPRENE
2	1	2421-3041	COVER, 1824 FLAT TOP	ALUMINUM
1	1	2491-1005	S/S RING	STAINLESS STEEL

NOTES: UNLESS OTHERWISE SPECIFIED.

SPECIFICATIONS SUBJECT TO CHANGE WITHOUT NOTICE.		<b>FREEMAN</b> MARINE EQUIPMENT, INC.		28336 HUNTER CREEK ROAD GOLD BEACH, OR 97444 U.S.A. PHONE: 541-247-7078 FAX: 541-247-2114 www.freemanmarine.com	
PROJECTION		CONFIDENTIAL PROPERTY OF FREEMAN MARINE EQUIPMENT INC. UNAUTHORIZED USE, COPYING OR DISTRIBUTION IS STRICTLY PROHIBITED. POSSESSOR OF THIS DOCUMENT AGREES TO THE FOREGOING AND SHALL RETURN THIS DOCUMENT UPON REQUEST.		CLIENT: FREEMAN MARINE	
UNLESS OTHERWISE SPECIFIED DIMENSIONS ARE IN INCHES, TOLERANCES FOR ROUGH AND CLEAR OPENING ± .125 INCH. ALL OTHERS ARE:		DATE: 28MAY13 DATE: 28MAY13		TITLE: MODEL 2491 1824-H (K) INTEGRAL YOKE CAST HATCH, STAINLESS STEEL RING	
.X .XX .XXX ANGLES ±.1 ±.03 ±.010 ±2°		DRAWN: Z. CARPENTER CHECKED: D. YOES ENGR:		SIZE: D CAGE CODE: 64747 DRAWING NUMBER: 2491-0065-0001	
DO NOT SCALE DRAWING		DESIGN ACTIVITY:		REV. A	
A PRODUCTION RELEASE		DATE: 28MAY13 DRAWN: ZJC		SCALE: 1:4 CALC. WT. ACT. WT.	
REV. DESCRIPTION:		DATE: DRAWN:		SHEET 2 OF 3	



DECK CUT OUT



- 3. FINISH: 125 RMS MAX.
- 2. BREAK SHARP EDGES AND DEBURR.
- 1. MATERIAL: ALUMINUM

NOTES: UNLESS OTHERWISE SPECIFIED.

**CUSTOMER APPROVAL**

Signature: \_\_\_\_\_  
 Date: \_\_\_\_\_

IMPORTANT! THIS DRAWING SUPERSEDES ALL OTHER DOCUMENTS. By signing this approval you accept and agree that the dimensions and details shown are correct and properly fit your application, regardless of any differences between this drawing and any contract specifications. Should you see any errors in the drawing, or have any questions, please contact your Freeman Marine sales engineer for clarification.

REV.	DESCRIPTION	DATE	DRAWN
A	PRODUCTION RELEASE	28MAY13	ZJC

SPECIFICATIONS SUBJECT TO CHANGE WITHOUT NOTICE.

PROJECTION

UNLESS OTHERWISE SPECIFIED DIMENSIONS ARE IN INCHES, TOLERANCES FOR ROUGH AND CLEAR OPENING ± .125 INCH. ALL OTHERS ARE:

.X	.XX	.XXX	ANGLES
±.1	±.03	±.010	±2°

DO NOT SCALE DRAWING

**FREEMAN MARINE EQUIPMENT, INC.**

CONFIDENTIAL PROPERTY OF FREEMAN MARINE EQUIPMENT, INC. UNAUTHORIZED USE, REPRODUCTION OR DISTRIBUTION IS STRICTLY PROHIBITED. ALL CODES REMAIN THE PROPERTY OF FREEMAN MARINE EQUIPMENT, INC. AND MUST BE RETURNED UPON REQUEST. © ALL RIGHTS RESERVED 2012, FREEMAN MARINE EQUIPMENT, INC.

28336 HUNTER CREEK ROAD  
 GOLD BEACH, OR 97444 U.S.A.  
 PHONE: 541-247-7078 FAX: 541-247-2114  
 www.freemanmarine.com

CLIENT: **FREEMAN MARINE**

TITLE: **MODEL 2491 1824-H (K) INTEGRAL YOKE CAST HATCH, STAINLESS STEEL RING**

SIZE: **D** CAGE CODE: **64747** DRAWING NUMBER: **2491-0065-0001** REV. **A**

SCALE: 1:2 CALC. WT. ACT. WT. SHEET 3 OF 3