

- 8. FOR SPECIFIC INFORMATION CONTACT SALES.
- 7. COMPLETE ASSEMBLY WEIGHT W/ DECK RING, 72LBS/ 33K.
- 6. DOGGING PRESSURE FULLY ADJUSTABLE.
- 5. ALUMINUM ALLOY MECHANISM SHOWN.
- 4. FLUSH, WATERTIGHT CONSTRUCTION.
- 3. STAINLESS STEEL RING FOR WELD IN DECK APPLICATION.
- 2. QUICK-ACTING, MECHANISM ENGAGES OR DISENGAGES IN QUARTER-TURN OF CENTER SPINDLE.
- 1. 20.1" X 20.1" CLEAR OPENING, ALL DIMENSIONS SHOWN SUBJECT TO CASTING VARIATION AND ARE REFERENCE ONLY.

NOTES: UNLESS OTHERWISE SPECIFIED.

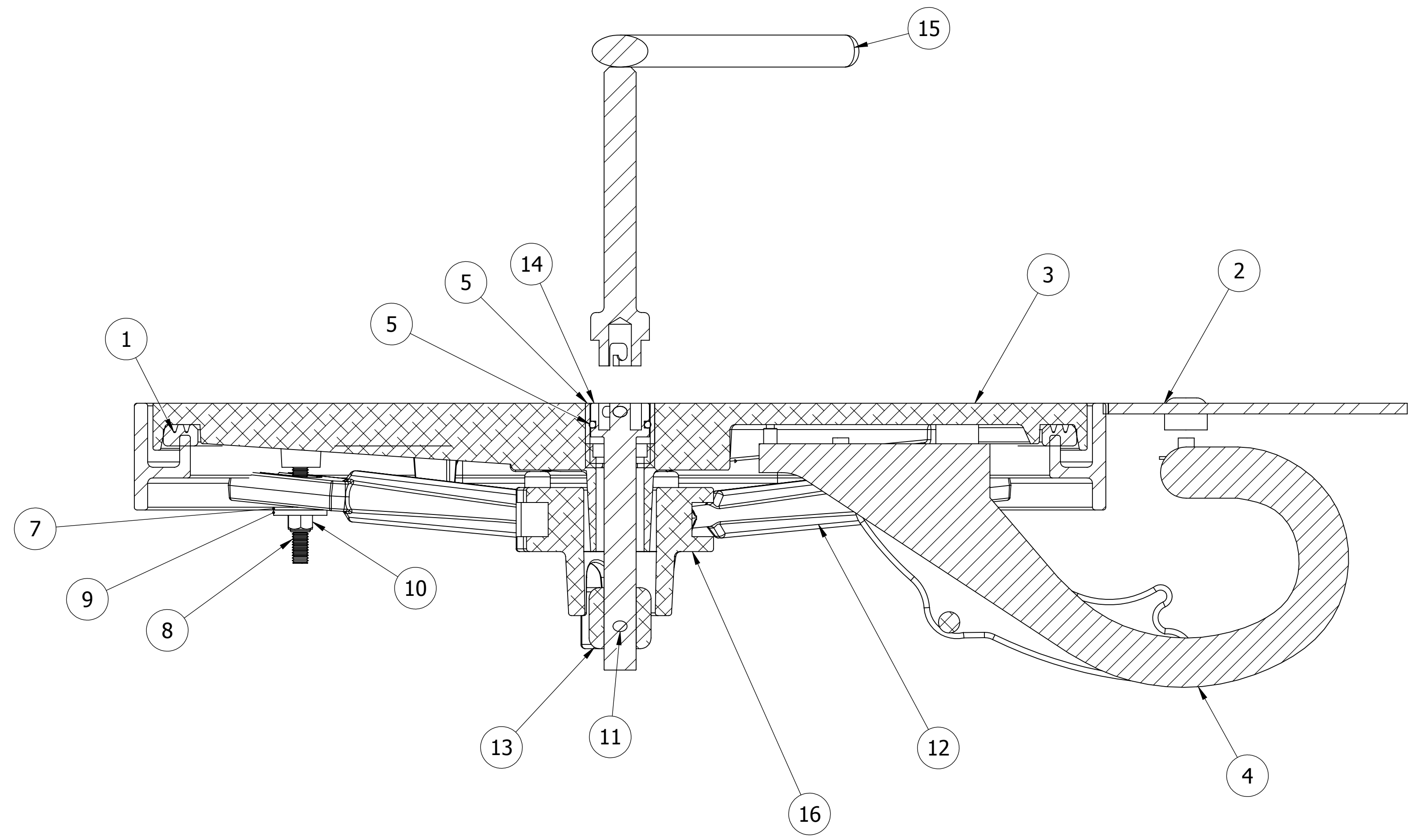
SPECIFICATIONS SUBJECT TO CHANGE WITHOUT NOTICE.		FREEMAN MARINE EQUIPMENT, INC. 28336 HUNTER CREEK ROAD GOLD BEACH, OR 97444 U.S.A. PHONE: 541-247-7078 FAX: 541-247-2114 www.freemanmarine.com	
UNLESS OTHERWISE SPECIFIED DIMENSIONS ARE IN INCHES, TOLERANCES FOR ROUGH AND CLEAR OPENING ± .125 INCH. ALL OTHERS ARE: .X .XX .XXX ANGLES ±.1 ±.03 ±.010 ±2°		CLIENT: FREEMAN MARINE TITLE: MODEL 2493 2020-H (K) INTEGRAL YOKE CAST HATCH, STAINLESS STEEL DECK RING	
PROJECTION		CONTRACT NO.:	
DO NOT SCALE DRAWING		SCALE: 1:4	
A PRODUCTION RELEASE 22MAY13 ZJC		DRAWING NUMBER: 2493-0063	
REV. DESCRIPTION: DATE: DRAWN		SIZE: D	
		ACT. WT.	
		SHEET 1 OF 3	

D

C

B

A



SECTION A-A
SCALE 1 : 2

ITEM NO.	QTY.	PART NUMBER	DESCRIPTION	MATERIAL
16	1	0011-2006	HUB, 4 HOLE - SHORT	ALUMINUM, 535.2
15	1	0031-2028	HANDLE INTERLOCKING REMOVABLE	STAINLESS STEEL
14	1	0031-2107	SPINDLE, INTERLOCKING, FLUSH TO 1/4 TEAK	STAINLESS STEEL, 316L
13	1	0112-2001	ACTUATOR, AL	ALUMINUM, 535
12	4	0211-2009	DOG, LOCKING ARM, 2020, AL	ALUMINUM, 535.2-F
11	1	0411-2004	PIN, KNURLED, 1/4 X 2-1/4, 316 S/S	STAINLESS STEEL, 316L
10	4	0411-2032	LOCKNUT, NYLON INSERT, 3/8-16, 316 S/S	STAINLESS STEEL, 316
9	4	0411-2033	WASHER, .406 X 1.25 X .125, 316 S/S	STAINLESS STEEL, 316
8	4	0411-2098	STUD, ALL THREAD, 3/8-16 X 3	STAINLESS STEEL, 316
7	4	0413-2005	WASHER, .406 X 1.250 X .062 NYLON	NYLON
6	1	0441-2045	O-RING, 27MM X 4MM	BUNA-N
5	1	0441-2135	CUP, INTERLOCKING SPINDLE, 9/16 TO 3/4	ACETAL
4	1	0461-2077	HINGE ASSY, YOKE, CAST HATCH, W/HOLD OPEN	REF S/A B.O.M.
3	1	2422-3041	COVER: 2020 FLAT TOP AL, FINISH CASTING	ALUMINUM, A356.0-F
2	1	2493-1005	RING, 2020 W/ FLANGE	MILD STEEL
1	1	9813-2002	GASKET, 2020 (5.94" OF 0631-9813)	NEOPRENE

NOTES: UNLESS OTHERWISE SPECIFIED.

SPECIFICATIONS SUBJECT TO CHANGE WITHOUT NOTICE.		FREEMAN MARINE EQUIPMENT, INC. 28336 HUNTER CREEK ROAD GOLD BEACH, OR 97444 U.S.A. PHONE: 541-247-7078 FAX: 541-247-2114 www.freemanmarine.com	
PROJECTION		CLIENT: FREEMAN MARINE	
UNLESS OTHERWISE SPECIFIED DIMENSIONS ARE IN INCHES, TOLERANCES FOR ROUGH AND CLEAR OPENING ± .125 INCH. ALL OTHERS ARE: .X .XX .XXX ANGLES ±.1 ±.03 ±.010 ±2°		TITLE: MODEL 2493 2020-H (K) INTEGRAL YOKE CAST HATCH, STAINLESS STEEL DECK RING	
DO NOT SCALE DRAWING		SIZE: D 64747 CAGE CODE: 2493-0063 DRAWING NUMBER: 2493-0063 REV. A	
A PRODUCTION RELEASE 22MAY13 ZJC		SCALE: 1:4 CALC. WT. ACT. WT. SHEET 2 OF 3	

