

8

7

6

5

4

3

2

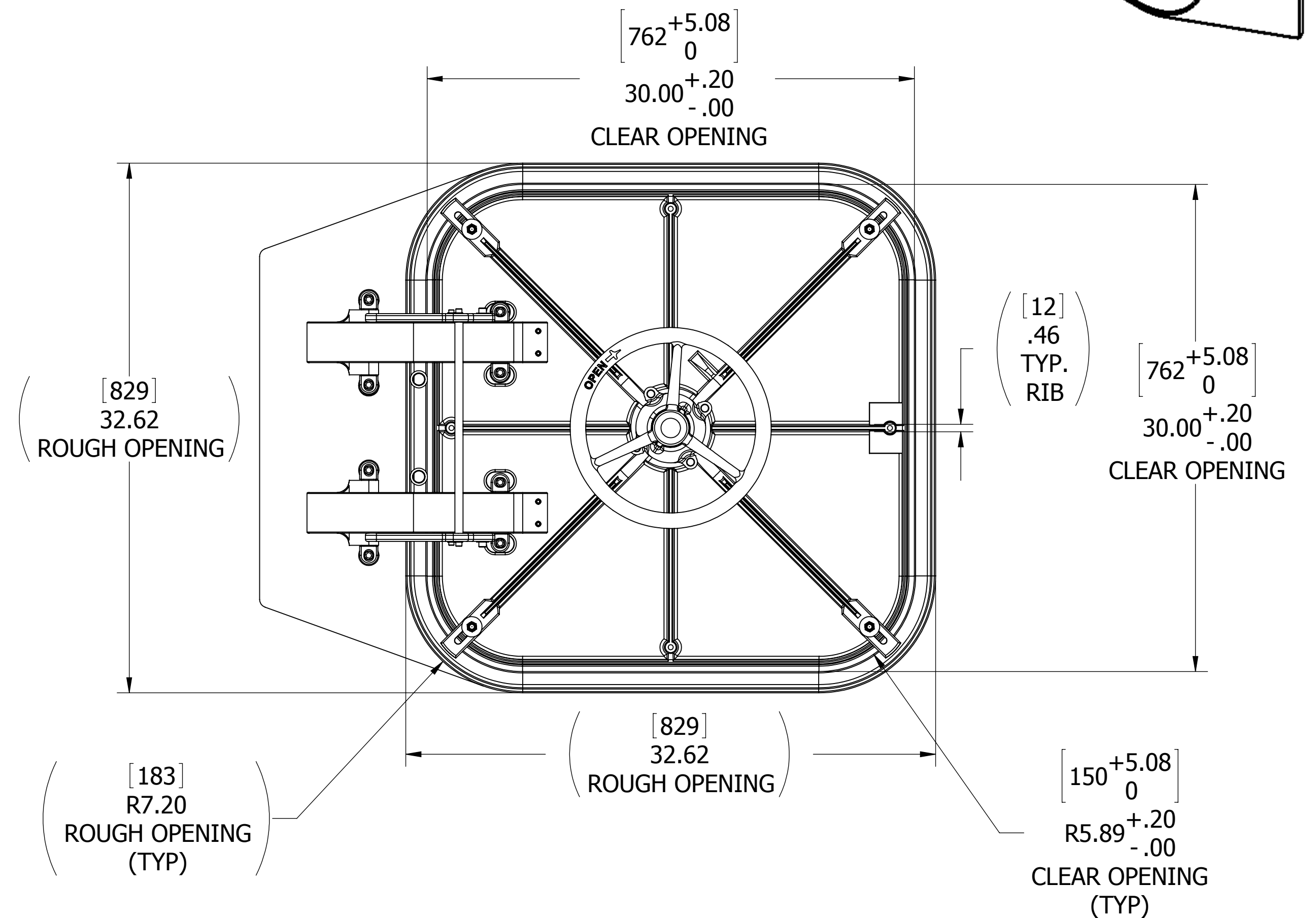
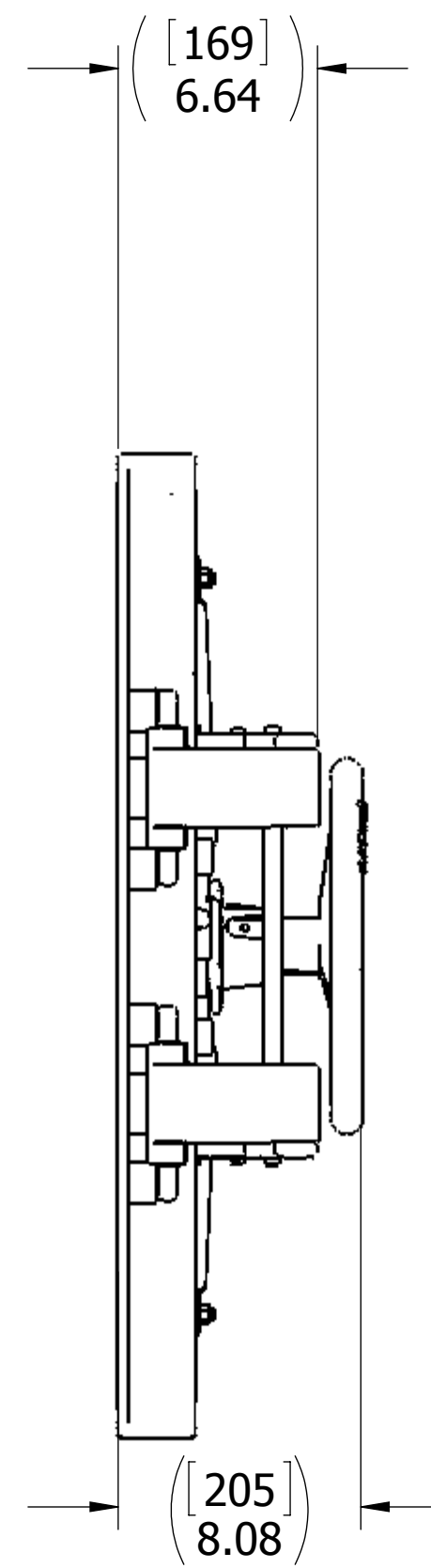
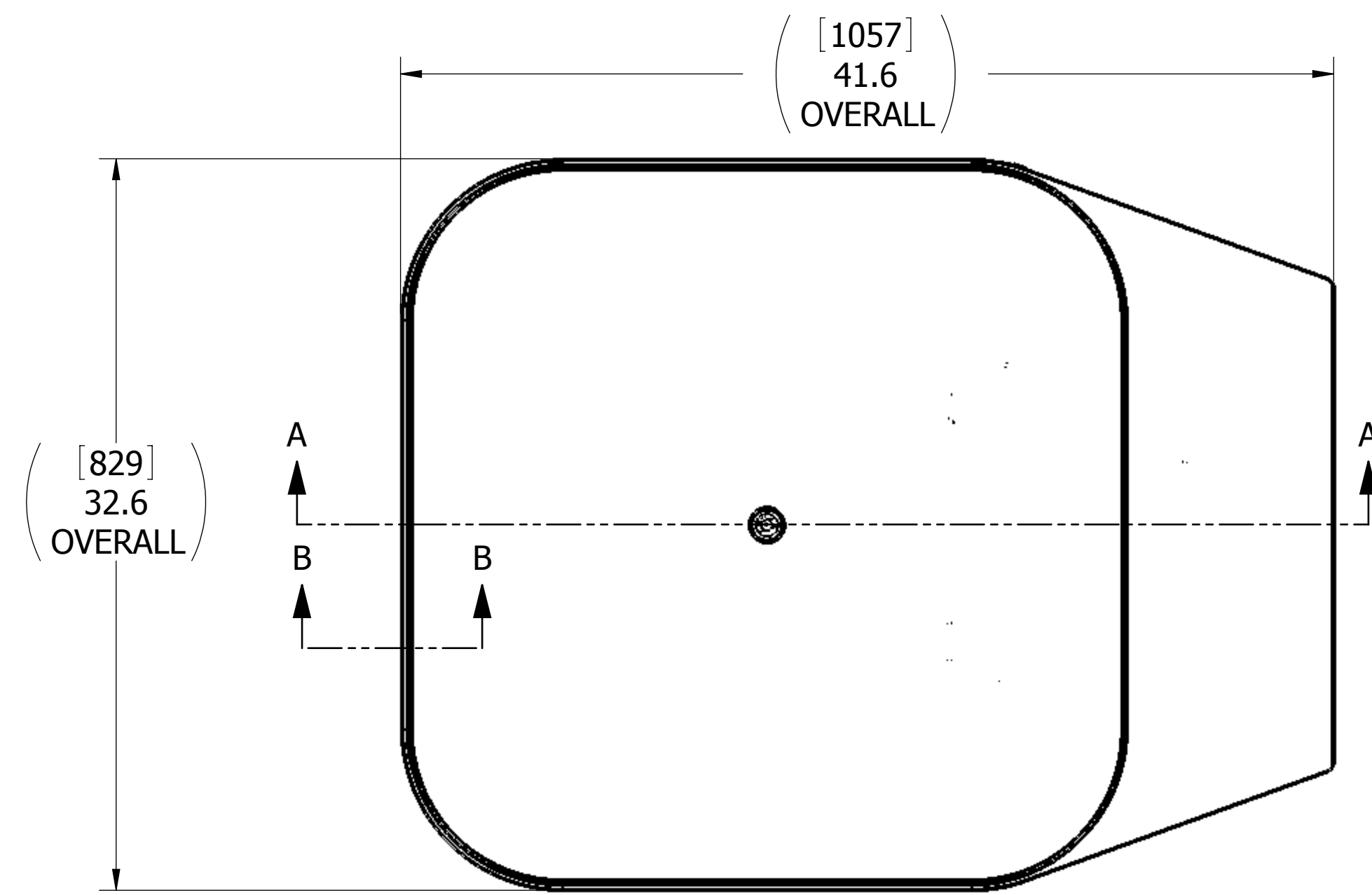
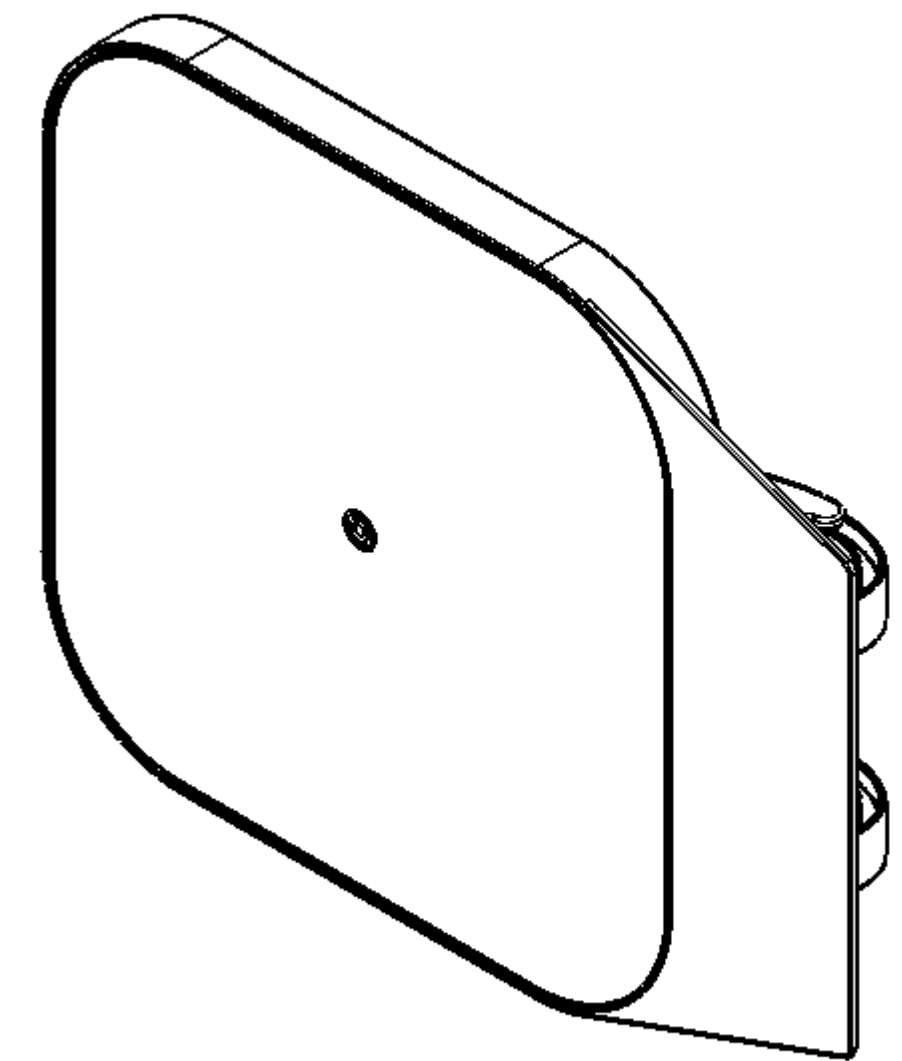
1

D

C

B

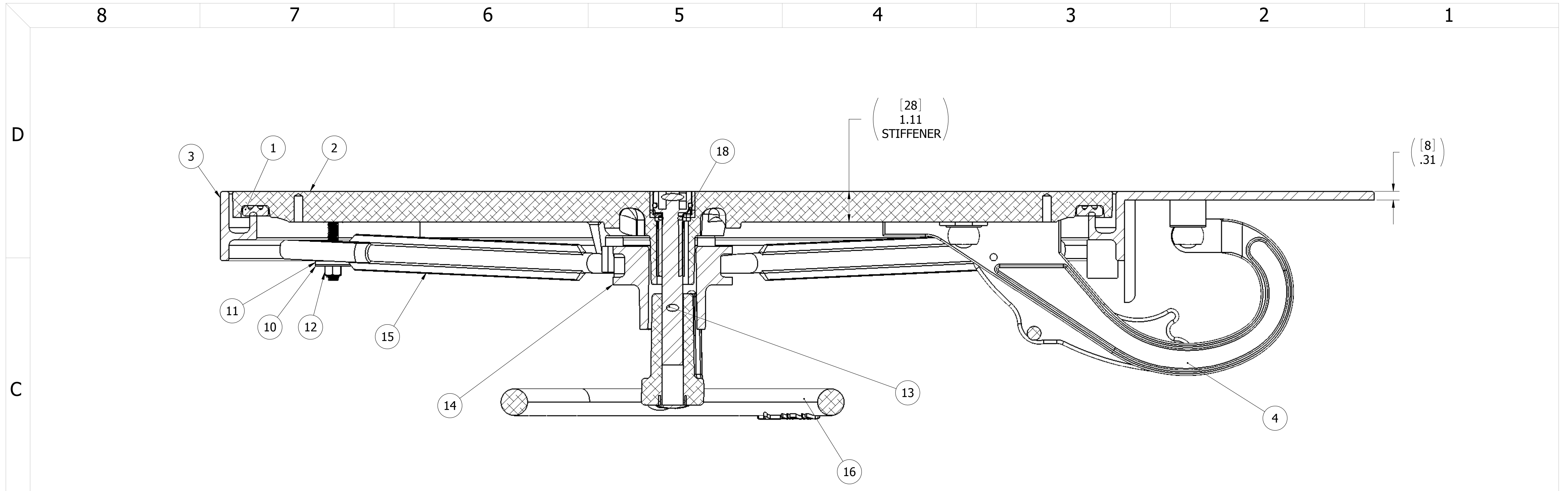
A



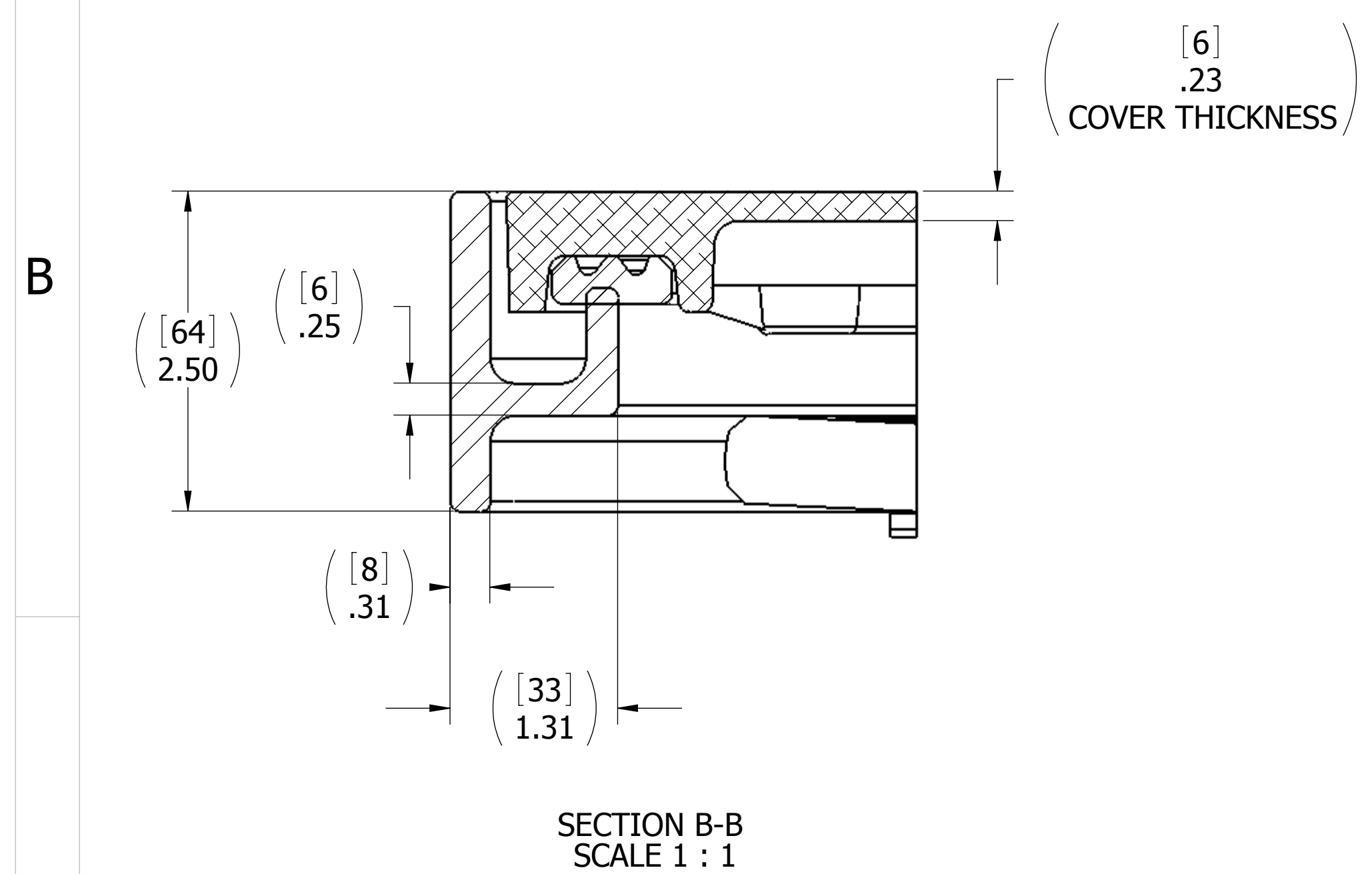
- 9. THIS DRAWING PROVIDES THE GENERAL CONFIGURATION OF A HATCH, FOR SPECIFIC INFORMATION CONTACT FREEMAN MARINE SALES.
- 8. STAINLESS STEEL MECHANISM SHOWN.
- 7. FLUSH WATERTIGHT CONSTRUCTION.
- 6. INTERLOCKING " T " HANDLE EXTERIOR.
- 5. MILD STEEL COAMING
- 4. ALL DIMENSIONS ARE REFERENCE DUE TO VARIATIONS IN THE CASTING PROCESS.
- 3. COVER MATERIAL A356-T6.
- 2. QUICK ACTING MECHANISM ENGAGES OR DISENGAGES IN QUARTER TURN OF HANDLE.
- 1. 30" X 30" CLEAR OPENING.

NOTES: UNLESS OTHERWISE SPECIFIED

SPECIFICATIONS SUBJECT TO CHANGE WITHOUT NOTICE.		<b>FREEMAN MARINE EQUIPMENT, INC.</b> 28336 HUNTER CREEK ROAD GOLD BEACH, OR 97444 U.S.A. PHONE: 541-247-7078 FAX: 541-247-2114 www.freemanmarine.com	
UNLESS OTHERWISE SPECIFIED DIMENSIONS ARE IN INCHES, TOLERANCES FOR ROUGH AND CLEAR OPENING ± .125 INCH. ALL OTHERS ARE: .X .XX .XXX ANGLES ±.1 ±.03 ±.010 ±2°		CLIENT: FREEMAN MARINE TITLE: MODEL 2496 QUICK ACTING HATCH AL COVER, MS RING	
PROJECTION		CONFIDENTIAL PROPERTY OF FREEMAN MARINE EQUIPMENT INC. UNAUTHORIZED USE, COPYING OR DISTRIBUTION IS STRICTLY PROHIBITED. POSSESSOR OF THIS DOCUMENT AGREES TO THE FOREGOING AND SHALL RETURN THIS DOCUMENT UPON REQUEST. © ALL RIGHTS RESERVED 2004	
DRAWN: Z. CARPENTER CHECKED: D. YOES ENGR: DESIGN ACTIVITY: CONTRACT NO.:		DATE: 21MAY13 DATE: 21MAY13 DATE: DATE:	
REV. DESCRIPTION:		SIZE: D CAGE CODE: 64747 DRAWING NUMBER: 2496-0067-0003 SCALE: 1:6 CALC WT. ACT. WT. SHEET 1 OF 3	



SECTION A-A  
SCALE 1 : 1.75



SECTION B-B  
SCALE 1 : 1

ITEM NO.	QTY.	PART NUMBER	DESCRIPTION	MATERIAL
18	1	0031-2001	BUSHING ASSY, STD HATCH, W/SLEEVE	VARIOUS
17	1	0031-2107	SPINDLE, INTERLOCKING, FLUSH TO 1/4 TEAK	STAINLESS STEEL, 316L
16	1	0112-2002	ESCAPE WHEEL, INTERIOR	ALUMINUM, 535.2-F
15	4	0212-2013	DOG, LOCKING ARM 3030, 316L S/S	STAINLESS STEEL, 316L
14	1	0212-2020	HUB, 4 HOLE, 316L S/S, SHORT	REF. S/A - B.O.M.
13	1	0411-2004	PIN KNURLED .25 X 2.25IN SS 316	SS, 316
12	4	0411-2032	NUT .375IN-16 SS 316 NYLOCK	SS, 316
11	4	0411-2033	WASHER .406 X 1.25 X .125IN SS 316	SS, 316
10	4	0413-2005	WASHER, .406 X 1.250 X .062 NYLON	NYLON
9	1	0413-2049	WASHER, SHIM CAST HATCH BI-SQ	ACETAL, BLACK
8	2	0431-2128	COUPLING 1/2 NPT, 316 S/S, DRAIN	316L STAINLESS STEEL
7	1	0433-2045	PLUG, FINISHING, SNAP-IN, FITS 1 IN.	NYLON
6	1	0441-2045	O-RING, 27MM X 4MM	BUNA-N
5	1	0441-2133	CUP, INTERLOCKING SPINDLE, FLUSH TO 1/4	STAINLESS STEEL, 316L
4	1	0461-2077	HINGE ASSY, YOKE, CAST HATCH W/HOLD OPEN	ALUM W/ VARIOUS COMPONENTS
3	1	2496-1003	RING: 3030K MS, 0615-9001	MILD STEEL
2	1	2496-3041	CASTING, HATCH COVER 3030-K, YOKE HINGE	ALUMINUM, A356.2
1	1	9885-2001	GASKET, 3030 MS/SS, (9.46' OF 0631-9885)	NEOPRENE

REV.	DESCRIPTION	DATE	DRAWN
A	PRODUCTION RELEASE	21MAY13	ZJC

SPECIFICATIONS SUBJECT TO CHANGE WITHOUT NOTICE.

PROJECTION

UNLESS OTHERWISE SPECIFIED DIMENSIONS ARE IN INCHES, TOLERANCES FOR ROUGH AND CLEAR OPENING ± .125 INCH. ALL OTHERS ARE:

.X .XX .XXX ANGLES  
±.1 ±.03 ±.010 ±2°

DO NOT SCALE DRAWING

**FREEMAN MARINE EQUIPMENT, INC.**

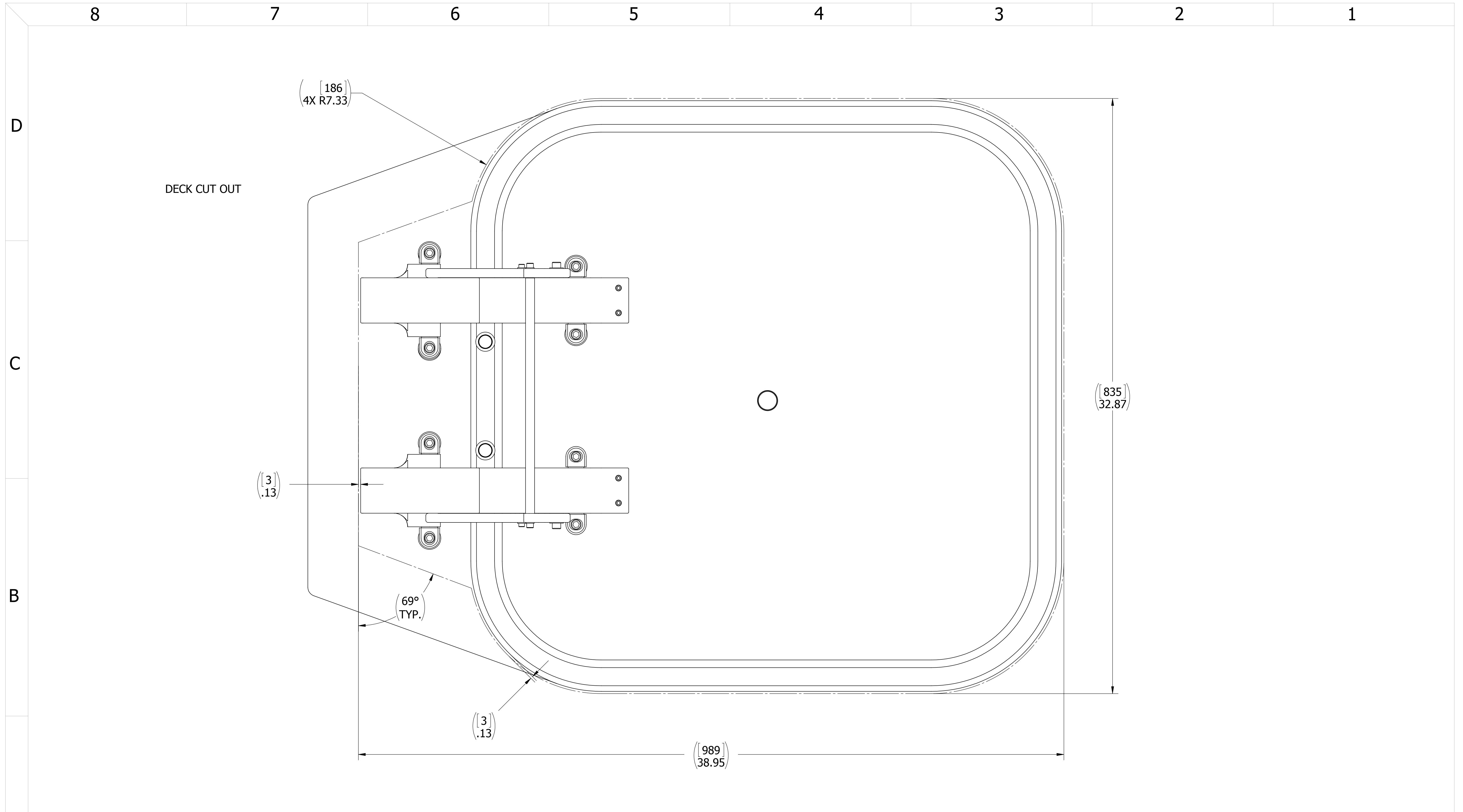
28336 HUNTER CREEK ROAD  
GOLD BEACH, OR 97444 U.S.A.  
PHONE: 541-247-7078 FAX: 541-247-2114  
www.freemanmarine.com

CLIENT: FREEMAN MARINE

TITLE: MODEL 2496 QUICK ACTING HATCH AL COVER, MS RING

SIZE: D CAGE CODE: 64747 DRAWING NUMBER: 2496-0067-0003 REV. A

SCALE: 1:8 CALC. WT. ACT. WT. SHEET 2 OF 3



- 3. FINISH: 125 RMS MAX.
  - 2. BREAK SHARP EDGES AND DEBURR.
  - 1. MATERIAL:
- NOTES: UNLESS OTHERWISE SPECIFIED.

CUSTOMER APPROVAL

Signature: \_\_\_\_\_  
 Date: \_\_\_\_\_

IMPORTANT! THIS DRAWING SUPERSEDES ALL OTHER DOCUMENTS. By signing this approval you accept and agree that the dimensions and details shown are correct and properly fit your application, regardless of any differences between this drawing and any contract specifications. Should you see any errors in the drawing, or have any questions, please contact your Freeman Marine sales engineer for clarification.

REV.	DESCRIPTION	DATE	DRAWN
A	PRODUCTION RELEASE	21MAY13	ZJC

SPECIFICATIONS SUBJECT TO CHANGE WITHOUT NOTICE.

PROJECTION

UNLESS OTHERWISE SPECIFIED DIMENSIONS ARE IN INCHES, TOLERANCES FOR ROUGH AND CLEAR OPENING ± .125 INCH. ALL OTHERS ARE:

.X	.XX	.XXX	ANGLES
±.1	±.03	±.010	±2°

DO NOT SCALE DRAWING

 <small>CONFIDENTIAL PROPERTY OF FREEMAN MARINE EQUIPMENT, INC. UNAUTHORIZED USE, REPRODUCTION OR DISTRIBUTION IS STRICTLY PROHIBITED. ALL CODES REMAIN THE PROPERTY OF FREEMAN MARINE EQUIPMENT, INC. AND MUST BE RETURNED UPON REQUEST. © ALL RIGHTS RESERVED 2012, FREEMAN MARINE EQUIPMENT, INC.</small>		28336 HUNTER CREEK ROAD GOLD BEACH, OR 97444 U.S.A. PHONE: 541-247-7078 FAX: 541-247-2114 www.freemanmarine.com	
		CLIENT: <b>FREEMAN MARINE</b>	
DRAWN: Z. CARPENTER CHECKED: D. YOES ENGR: DESIGN ACTIVITY: CONTRACT NO.:		DATE: 21MAY13 DATE: 21MAY13 DATE:	
TITLE: <b>MODEL 2496 QUICK ACTING HATCH AL COVER, MS RING</b>		SIZE: <b>D</b>	CAGE CODE: <b>64747</b> DRAWING NUMBER: <b>2496-0067-0003</b> SCALE: 1:2.5
REV. <b>A</b>		ACT. WT.	SHEET 3 OF 3