

- 10. FOR SPECIFIC INFORMATION CONTACT SALES.
- 9. COMPLETE ASSEMBLY WEIGHT W/ DECK RING, 125LBS/ 57K.
- 8. DOGGING PRESSURE FULLY ADJUSTABLE.
- 7. HANDLE POSITION TOPSIDE INDICATES WHETHER DOGGING MECHANISM IS IN OPEN OR CLOSED POSITION.
- 6. STAINLESS STEEL MECHANISM SHOWN.
- 5. FLUSH, WATERTIGHT CONSTRUCTION.
- 4. INTERLOCKING SPINDLE EXTERIOR.
- 3. CAST ALUMINUM ALLOY FLANGE, FLANGE CAN BE DRILLED FOR BOLTED INSTALLATIONS OR WELDED TO ALUMINUM.
- 2. QUICK-ACTING, MECHANISM ENGAGES OR DISENGAGES IN QUARTER-TURN OF CENTER SPINDLE.
- 1. 36.4" X 36.7" CLEAR OPENING, ALL DIMENSIONS SHOWN SUBJECT TO CASTING VARIATION AND ARE REFERENCE ONLY.

NOTES: UNLESS OTHERWISE SPECIFIED.

CONFIDENTIAL PROPERTY OF FREEMAN MARINE EQUIPMENT, INC. UNAUTHORIZED USE, COPYING OR DISTRIBUTION IS STRICTLY PROHIBITED. POSSESSION OF THIS DOCUMENT AGREES TO THE FOREGOING AND SHALL RETURN THIS DOCUMENT UPON REQUEST. © ALL RIGHTS RESERVED 2004		CLIENT: <b>FREEMAN MARINE</b> MODEL 2497 QUICK ACTING HATCH 3636K YOKE HINGE W/ INTEGRAL TOPSIDE HANDLE	
DRAWN: G MACEACHERN CHECKED: DATE: 24MAY10 ENGR: DATE:		SIZE: <b>D</b> CAGE CODE: 64747 DRAWING NUMBER: 2497-0062-0001 SCALE: 1:5 CALC. WT. ACT. WT.	
INITIAL RELEASE: 24MAY10 GJM REV. DESCRIPTION: DATE: DRAWN:		CONTRACT NO.: SHEET 1 OF 3	

SPECIFICATIONS SUBJECT TO CHANGE WITHOUT NOTICE.

PROJECTION

UNLESS OTHERWISE SPECIFIED DIMENSIONS ARE IN INCHES, TOLERANCES FOR ROUGH AND CLEAR OPENING ± .125 INCH. ALL OTHERS ARE:

.X	.XX	.XXX	ANGLES
±.1	±.03	±.010	±2°

DO NOT SCALE DRAWING

**FREEMAN**  
MARINE EQUIPMENT, INC.

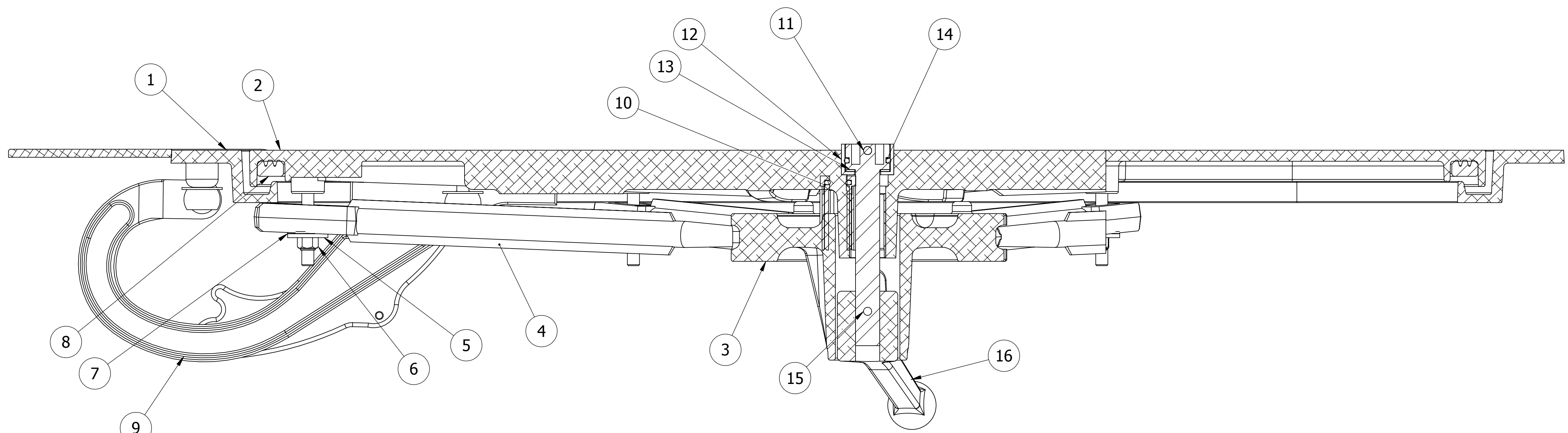
28336 HUNTER CREEK ROAD  
GOLD BEACH, OR 97444 U.S.A.  
PHONE: 541-247-7078 FAX: 541-247-2114  
www.freemanmarine.com

D

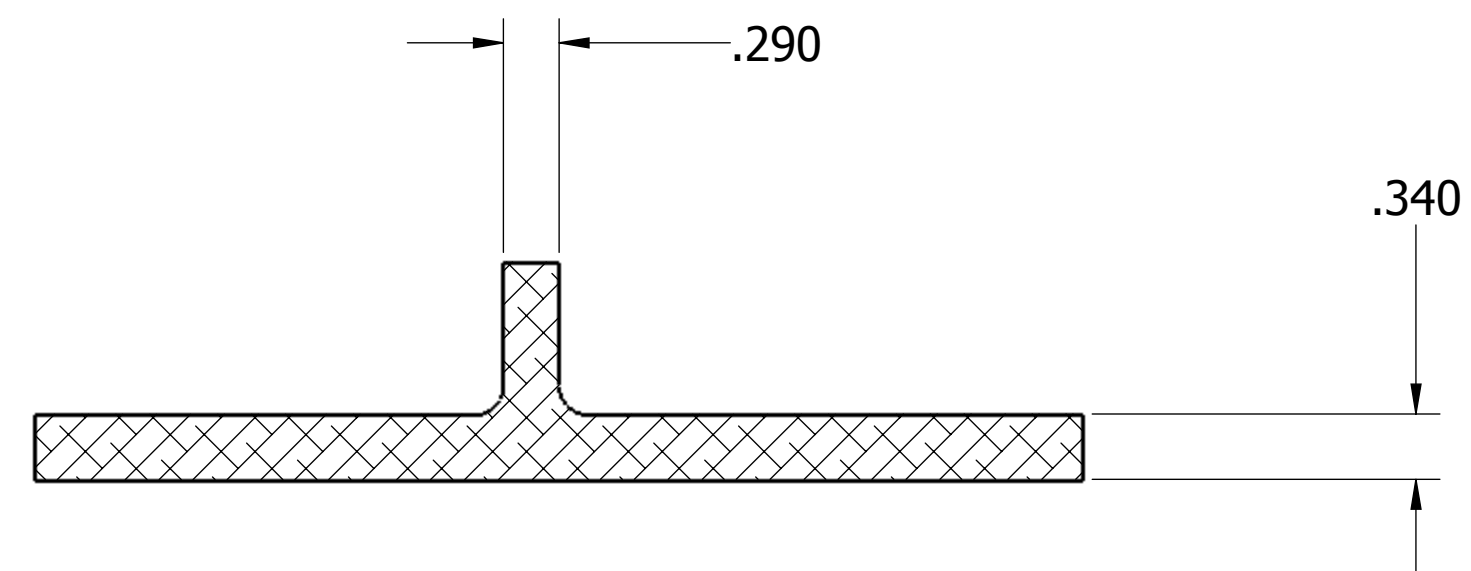
C

B

A



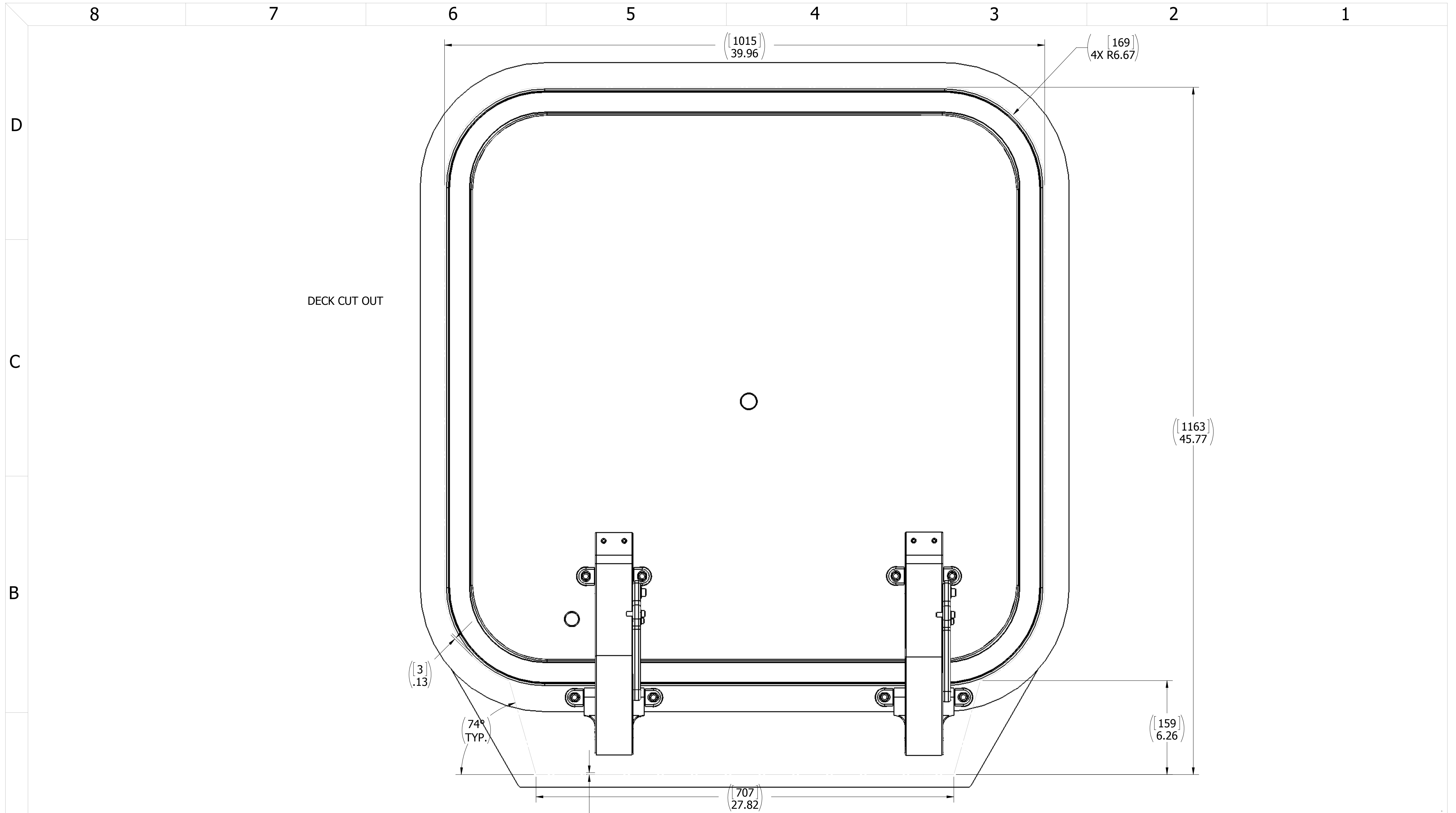
SECTION A-A  
SCALE 1 : 2



SECTION E-E  
SCALE 1 : 1

ITEM NO.	QTY.	PART NUMBER	DESCRIPTION	MATERIAL
17	8	0462-2405	BOSS, MOUNT, YOKE HINGE, CAST HATCH (0611-9531)	6061-T6511 ALUMINUM
16	1	0112-2023	ESCAPE HANDLE, 8 HOLE HUB, AL	ALUMINUM, 535.2-F
15	1	0411-2005	PIN KNURLED .25 X 2.75IN SS 316	SS 316/316L
14	1	0441-2045	O-RING, 27MM X 4MM	BUNA-N
13	1	0413-2049	WASHER, SHIM CAST HATCH BI-SQ	ACETAL, BLACK
12	1	0441-2133	CUP, INTERLOCKING SPINDLE, FLUSH TO 1/4	ACETRON GP, BLACK
11	1	0031-2107	SPINDLE, INTERLOCKING, FLUSH TO 1/4 TEAK	STAINLESS STEEL, 316L
10	1	0031-2001	BUSHING ASSY, STD HATCH, W/SLEEVE	VARIOUS COMPONENTS
9	2	0461-2077	HINGE ASSY, YOKE, CAST HATCH W/HOLD OPEN	ALUM W/ VARIOUS COMPONENTS
8	1	9835-2004	GASKET: 2424 (7.33 FT. OF 0631-9835)	NEOPRENE
7	8	0413-2005	WASHER, .406 X 1.250 X .062 NYLON	NYLON
6	8	0411-2032	NUT .375IN-16 SS 316 NYLOCK	SS 316/316L
5	8	0411-2033	WASHER .406 X 1.25 X .125IN SS 316	SS 316/316L
4	8	0211-2026	DOG, LOCKING ARM, 3636, AL	ALUMINUM, 535.2-F
3	1	0011-2007	HUB, AL, 8 HOLE	ALUMINUM, 535.2-F
2	1	2428-3041	COVER, 3636 FLAT TOP	ALUMINUM, 535.2-F
1	1	2497-1002	RING, 3636	ALUMINUM, 6061-T4

SPECIFICATIONS SUBJECT TO CHANGE WITHOUT NOTICE.		<b>FREEMAN MARINE EQUIPMENT, INC.</b> 28336 HUNTER CREEK ROAD GOLD BEACH, OR 97444 U.S.A. PHONE: 541-247-7078 FAX: 541-247-2114 www.freemanmarine.com	
UNLESS OTHERWISE SPECIFIED DIMENSIONS ARE IN INCHES, TOLERANCES FOR ROUGH AND CLEAR OPENING ± .125 INCH. ALL OTHERS ARE: .X .XX .XXX ANGLES ±.1 ±.03 ±.010 ±2°		CLIENT: <b>FREEMAN MARINE</b> TITLE: <b>MODEL 2497 QUICK ACTING HATCH 3636K YOKE HINGE W/ INTEGRAL TOPSIDE HANDLE</b>	
PROJECTION		SIZE: <b>D</b> CAGE CODE: <b>64747</b> DRAWING NUMBER: <b>2497-0062-0001</b> REV. <b>-</b>	
DO NOT SCALE DRAWING		SCALE: 1:5 CALC. WT. ACT. WT. SHEET 2 OF 3	



D  
C  
B  
A

8 7 6 5 4 3 2 1

DECK CUT OUT

- 3. FINISH: 125 RMS MAX.
  - 2. BREAK SHARP EDGES AND DEBURR.
  - 1. MATERIAL: REF. S/A - B.O.M.
- NOTES: UNLESS OTHERWISE SPECIFIED.

CUSTOMER APPROVAL

Signature: \_\_\_\_\_  
 Date: \_\_\_\_\_  
 IMPORTANT! THIS DRAWING SUPERSEDES ALL OTHER DOCUMENTS. By signing this approval you accept and agree that the dimensions and details shown are correct and properly fit your application, regardless of any differences between this drawing and any contract specifications. Should you see any errors in the drawing, or have any questions, please contact your Freeman Marine sales engineer for clarification.

REV.	DESCRIPTION	DATE	DRAWN
-	INITIAL RELEASE	24MAY10	GJM

SPECIFICATIONS SUBJECT TO CHANGE WITHOUT NOTICE.

PROJECTION

UNLESS OTHERWISE SPECIFIED DIMENSIONS ARE IN INCHES, TOLERANCES FOR ROUGH AND CLEAR OPENING ± .125 INCH. ALL OTHERS ARE:

.X	.XX	.XXX	ANGLES
±.1	±.03	±.010	±2°

DO NOT SCALE DRAWING

**FREEMAN MARINE EQUIPMENT, INC.**

28336 HUNTER CREEK ROAD  
 GOLD BEACH, OR 97444 U.S.A.  
 PHONE: 541-247-7078 FAX: 541-247-2114  
 www.freemanmarine.com

CLIENT: **FREEMAN MARINE**

TITLE: **MODEL 2497 QUICK ACTING HATCH  
 3636K YOKE HINGE**

DRAWN: G MACEACHERN	DATE: 24MAY10	CHECKED:	DATE:	ENGR:	DATE:	DESIGN ACTIVITY:	DATE:	CONTRACT NO.:	SCALE: 1:3	CALC. WT.	ACT. WT.	SHEET 3 OF 3
<b>D</b>		CAGE CODE <b>64747</b>	DRAWING NUMBER <b>2497-0062-0001</b>	REV. <b>-</b>								