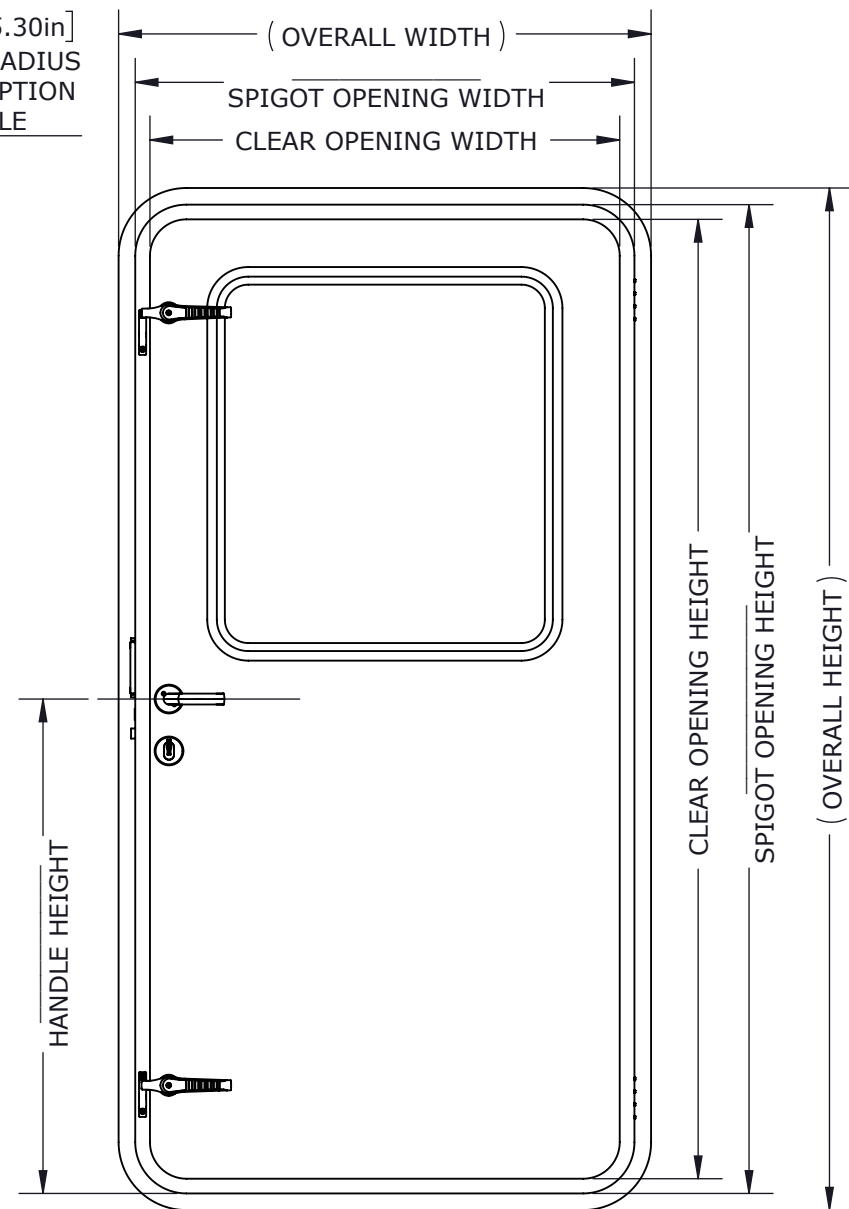
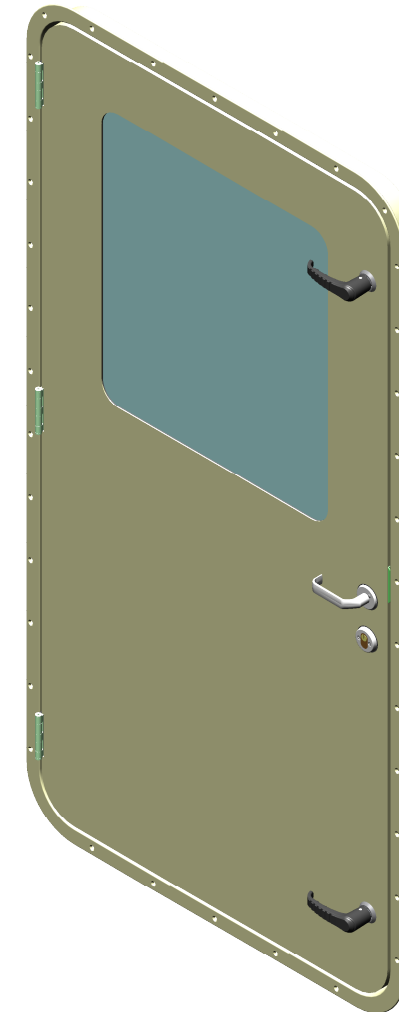


**EXTERIOR VIEW**

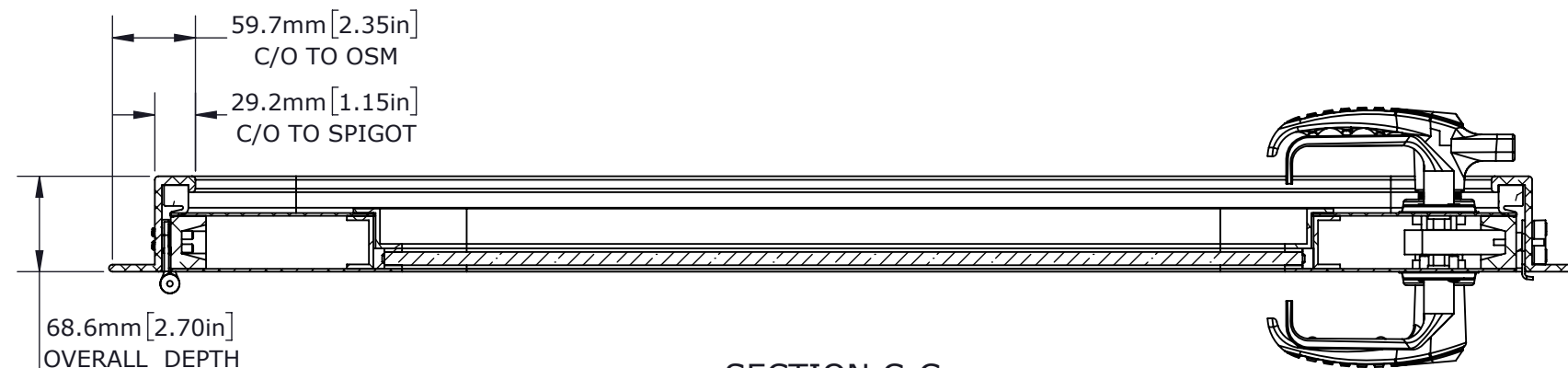


**INTERIOR VIEW**

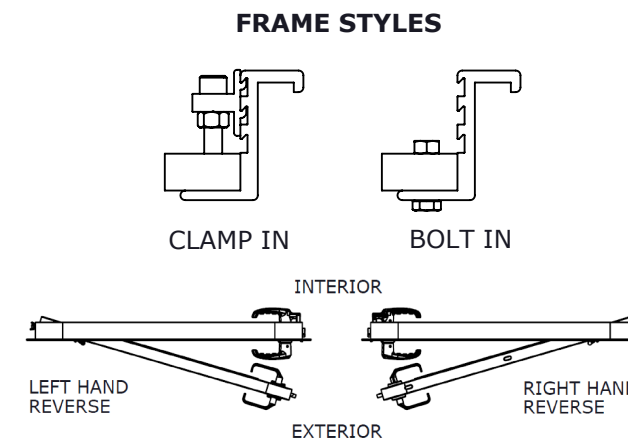
OVERALL = SPIGOT OPENING + 66.0mm[2.6in]  
 CLEAR OPENING = SPIGOT OPENING - 58.4mm[2.3in]  
 PLATE CUT = SPIGOT OPENING + 6.35mm[0.25in]



**ISOMETRIC VIEW**  
SCALE 1 : 15



**SECTION C-C**  
SCALE 1 : 5



**OPTIONS**

<b>HANDING</b>	RIGHT HANDED	
	LEFT HANDED	
<b>LOCK</b>	LOCKING	
	NOT LOCKING	
<b>LOCK MECHANISM</b>	LOCKSET/HANDLE	
	LOCKSET/DEADBOLT	
<b>DOG STYLE</b>	PASSAGE SET/HANDLE	
	ALUMINIUM	
<b>WINDOW STYLE</b>	CONCEALED	
	NYLON	
	STAINLESS STEEL	
<b>FRAME STYLE</b>	FULL HEIGHT	
	HALF HEIGHT	
	CIRCULAR	
<b>*CORNER TYPE</b>	NO PORTLIGHT	
	BOLT IN	
	CLAMP IN	
	MITRED	
	ROUND	

**CUSTOMER**

ADVANTEC

**PROJECT**

1111 FREEMAN SALES DRAWING

**DESCRIPTION**

STANDARD 1111 FREEMAN SERIES MODEL AND DRAWING

CONTACT (604) 607-0091 DATE 10/7/2020



DWG TITLE 1111 SERIES DOOR CAGE CODE

DESCRIPTION Standard Duty, Single Leaf, Bonded Construction, Individual Dog QTY

COPYRIGHT 2020 ADVANTEC GLOBAL INNOVATIONS. ALL RIGHTS RESERVED. CONFIDENTIAL PROPERTY OF ADVANTEC GLOBAL INNOVATIONS. UNAUTHORIZED USE, REPRODUCTION OR DISTRIBUTION IS STRICTLY PROHIBITED. COPIES REMAIN THE PROPERTY OF ADVANTEC GLOBAL INNOVATIONS AND MUST BE RETURNED UPON REQUEST.

SCALE 1:15	DRAWN SP	DATE 10/7/2020	CHECKED	DATE	SIZE B
S.O. NO	DWG NO 1111-1 FME Sales	SHEET 1 of 1	REV 00		