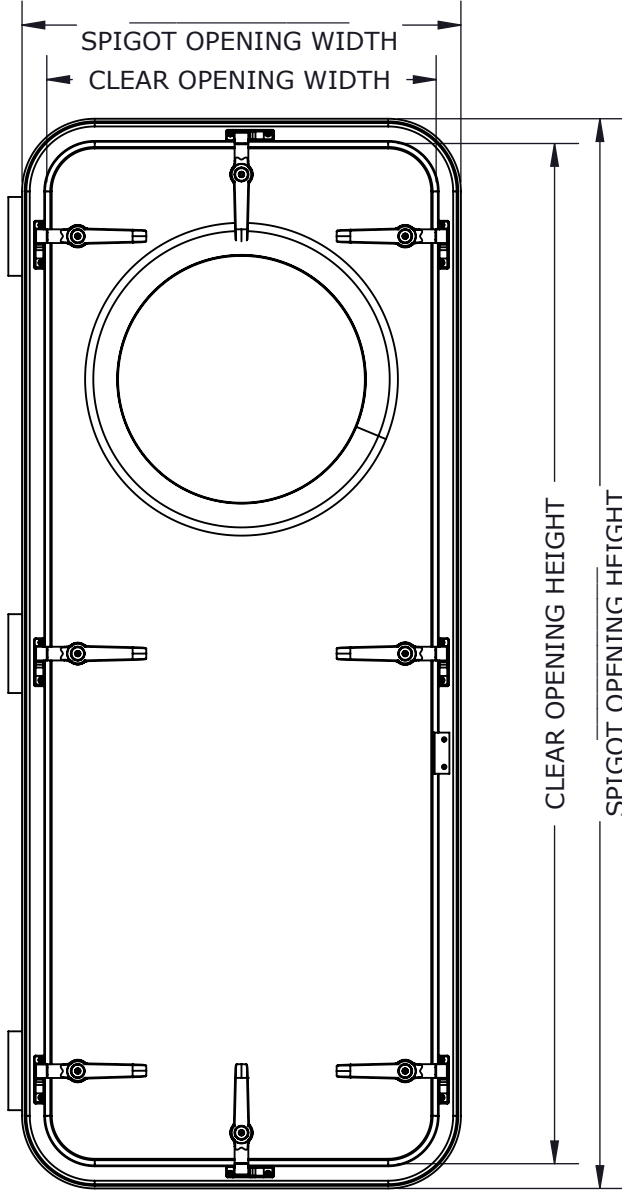
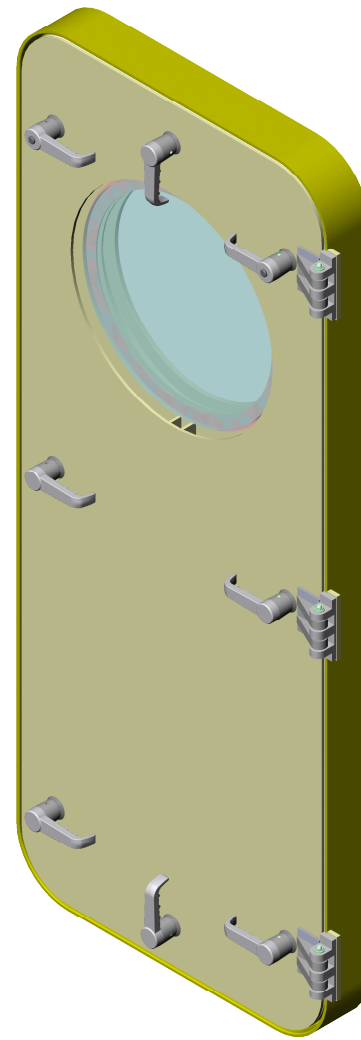


**EXTERIOR VIEW**

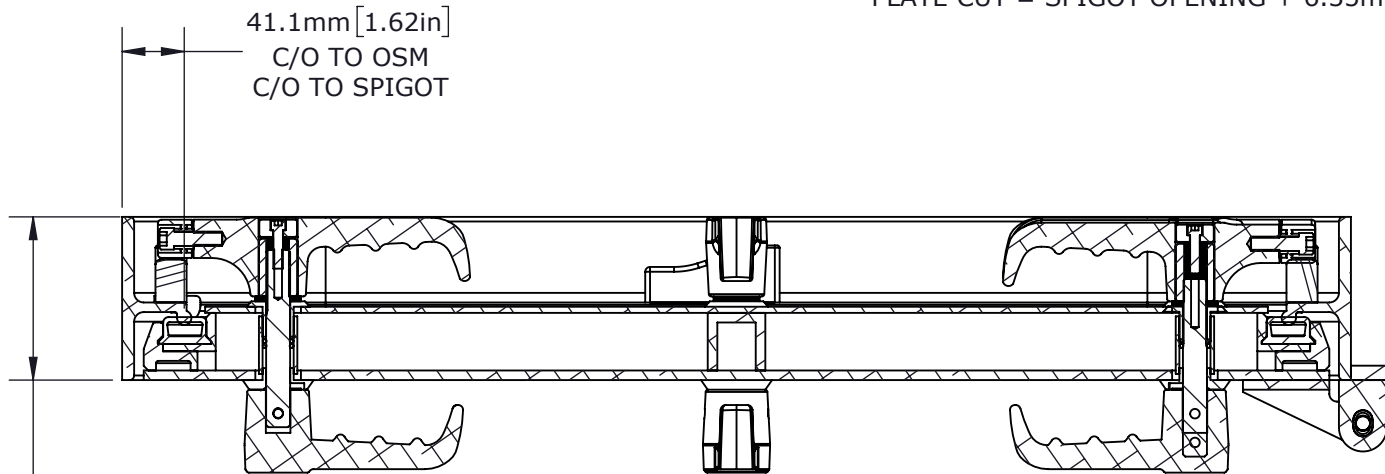


**INTERIOR VIEW**

OVERALL = SPIGOT OPENING  
 CLEAR OPENING = SPIGOT OPENING - 91.7mm[3.61in]  
 PLATE CUT = SPIGOT OPENING + 6.35mm[0.25in]

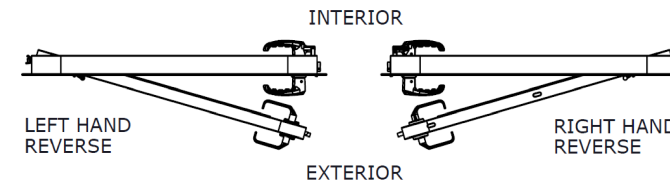
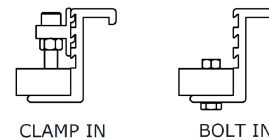


**ISOMETRIC VIEW**  
SCALE 1 : 14



**SECTION A-A**  
SCALE 1 : 5

**FRAME STYLES**



**OPTIONS**

<b>HANDING</b>	RIGHT HANDED	
	LEFT HANDED	
<b>LOCK</b>	LOCKING	
	NOT LOCKING	
<b>LOCK MECHANISM</b>	LOCKSET/HANDLE	
	LOCKSET/DEADBOLT	
<b>DOG STYLE</b>	PASSAGE SET/HANDLE	
	ALUMINIUM	
<b>WINDOW STYLE</b>	CONCEALED	
	NYLON	
	STAINLESS STEEL	
<b>FRAME STYLE</b>	FULL HEIGHT	
	HALF HEIGHT	
	CIRCULAR	
	NO PORTLIGHT	
<b>*CORNER TYPE</b>	BOLT IN	
	CLAMP IN	
<b>*CORNER TYPE</b>	MITRED	
	ROUND	

**CUSTOMER**

ADVANTEC

**PROJECT**

1130 PCM SALES DRAWING

**DESCRIPTION**

STANDARD 1130 PCM SERIES MODEL AND DRAWING

CONTACT (604) 607-0091 DATE 10/5/2020



**PACIFIC COAST MARINE**

DWG TITLE 1130 SERIES DOOR CAGE CODE

DESCRIPTION Premium Duty, Single Aluminum Panel, Watertight QTY

COPYRIGHT 2020 ADVANTEC GLOBAL INNOVATIONS. ALL RIGHTS RESERVED. CONFIDENTIAL PROPERTY OF ADVANTEC GLOBAL INNOVATIONS. UNAUTHORIZED USE, REPRODUCTION OR DISTRIBUTION IS STRICTLY PROHIBITED. COPIES REMAIN THE PROPERTY OF ADVANTEC GLOBAL INNOVATIONS AND MUST BE RETURNED UPON REQUEST.

SCALE 1:14	DRAWN SP	DATE 10/5/2020	CHECKED	DATE	SIZE B
S.O. NO	DWG NO 1130-1 PCM SALES	SHEET 1 of 1	REV	00	