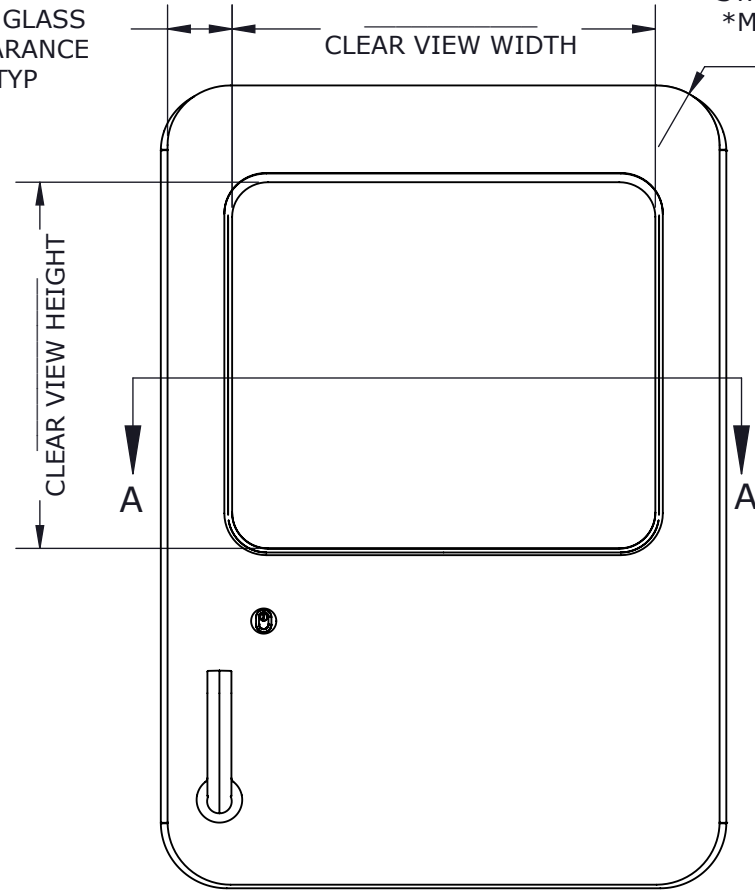
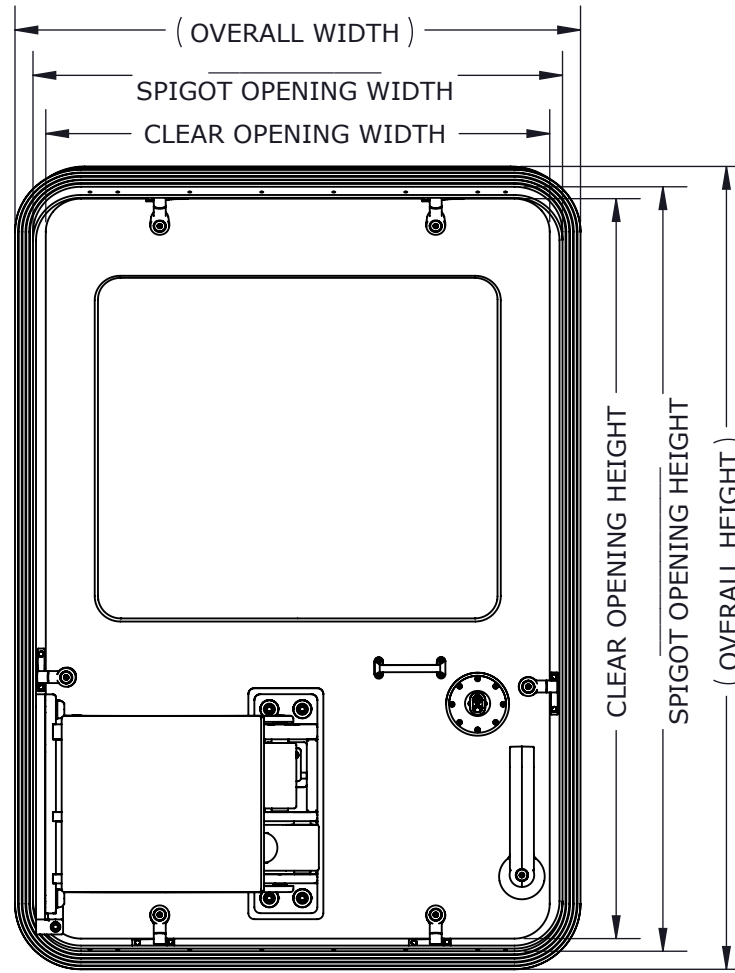


136.7mm [5.38in]
MIN GLASS
CLEARANCE
TYP



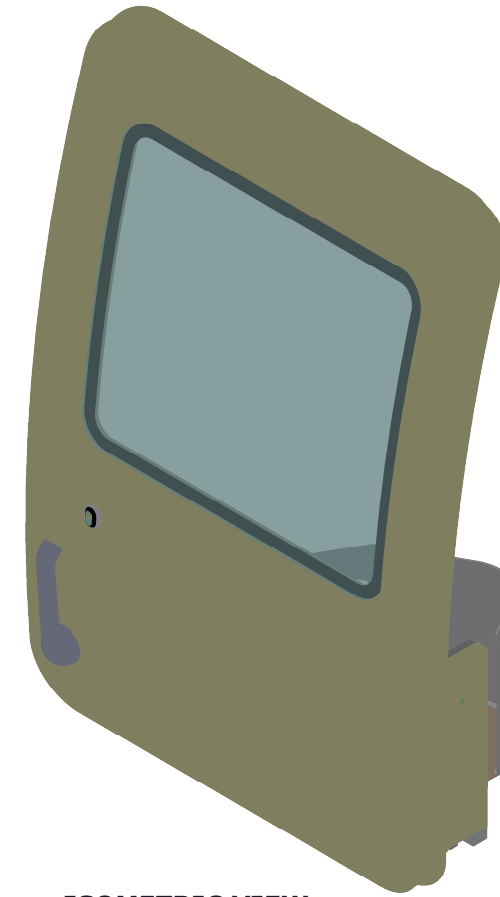
EXTERIOR VIEW

R136.5mm [5.38in]
STANDARD RADIUS
*MITERED OPTION
AVAILABLE

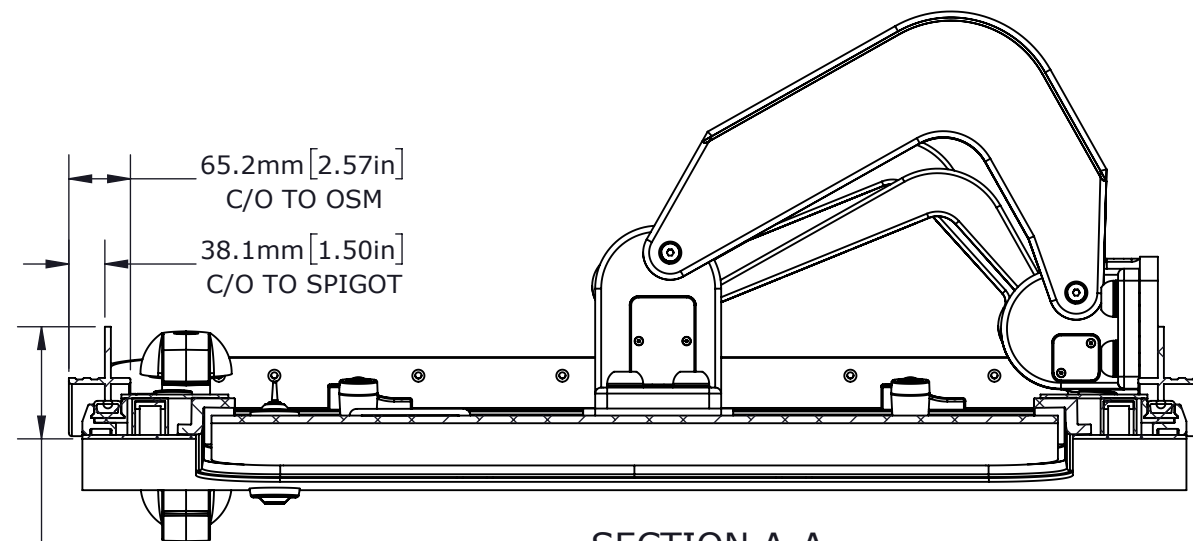


INTERIOR VIEW

OVERALL = SPIGOT OPENING + 76.2mm [3.00in]
CLEAR OPENING = SPIGOT OPENING - 54.1mm [2.13in]
PLATE CUT = SPIGOT OPENING + 6.35mm [0.25in]

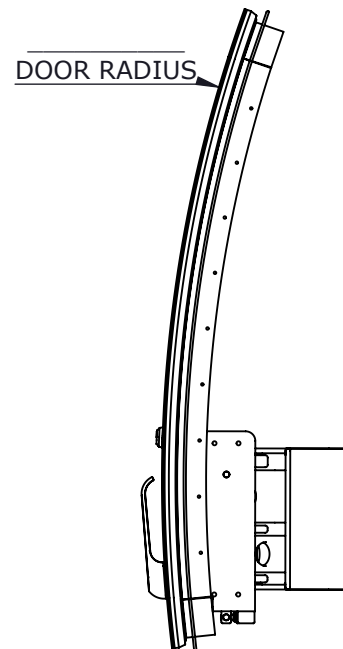


ISOMETRIC VIEW
SCALE 1 : 16



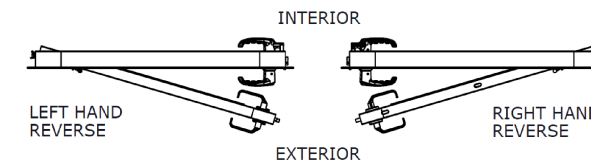
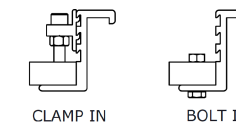
118.6mm [4.67in]
OVERALL DEPTH

SECTION A-A
SCALE 1 : 8



KEY PLAN

FRAME STYLES



OPTIONS

HANDING	RIGHT HANDED	
	LEFT HANDED	
LOCK	LOCKING	
	NOT LOCKING	
LOCK MECHANISM	REMOVABLE WINCH HANDLE	
	LEVER	
	WHEEL	
	ROUND, SEMI-FLUSH	
DOG STYLE	ALUMINIUM	
	CONCEALED	
	NYLON	
	STAINLESS STEEL	
WINDOW STYLE	FULL HEIGHT	
	HALF HEIGHT	
	CIRCULAR	
	NO PORTLIGHT	
FRAME STYLE	BOLT IN	
	CLAMP IN	
*CORNER TYPE	MITRED	
	ROUND	

CUSTOMER

ADVANTEC

PROJECT

1430 PCM SALES DRAWING

DESCRIPTION

STANDARD 1430 PCM SERIES
MODEL AND DRAWING

CONTACT (604) 607-0091 DATE 10/2/2020



**PACIFIC COAST
MARINE**

DWG TITLE 1430 SERIES DOOR CAGE CODE

DESCRIPTION Premium Duty, Single Aluminum Panel, Watertight, Quick Acting Dogs QTY

COPYRIGHT 2020 ADVANTEC GLOBAL INNOVATIONS. ALL RIGHTS RESERVED. CONFIDENTIAL PROPERTY OF ADVANTEC GLOBAL INNOVATIONS. UNAUTHORIZED USE, REPRODUCTION OR DISTRIBUTION IS STRICTLY PROHIBITED. COPIES REMAIN THE PROPERTY OF ADVANTEC GLOBAL INNOVATIONS AND MUST BE RETURNED UPON REQUEST.

SCALE 1:16	DRAWN SP	DATE 10/2/2020	CHECKED	DATE	SIZE B
S.O. NO	DWG NO 1430-1 PCM SALES	SHEET 1 of 1	REV 00		