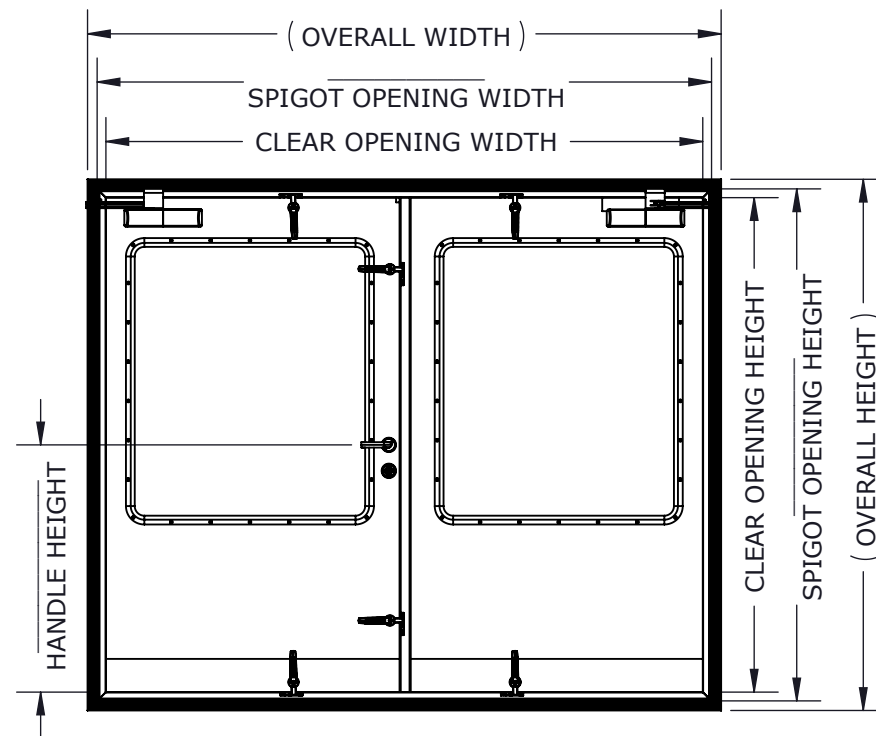
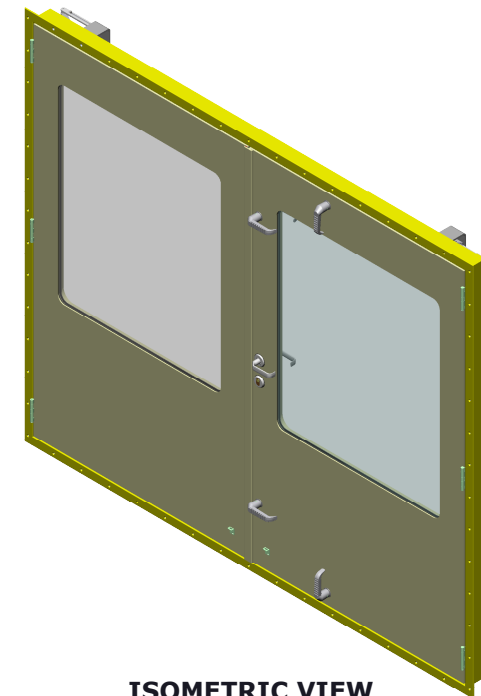


EXTERIOR VIEW

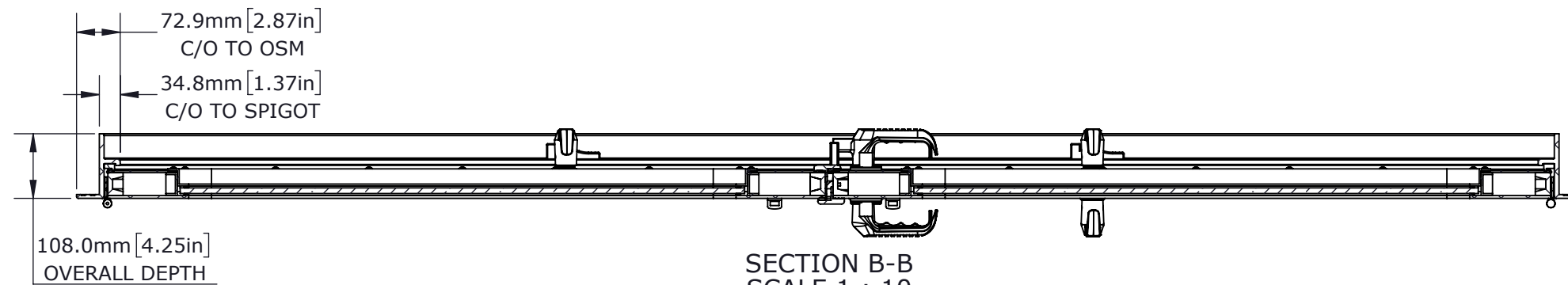


INTERIOR VIEW

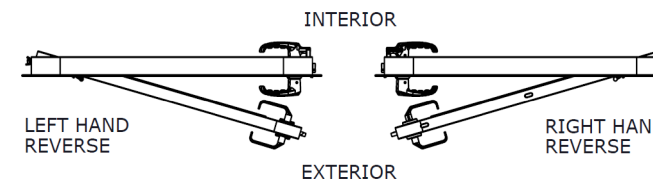
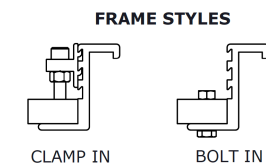
OVERALL = SPIGOT OPENING + 76.2mm[3.00in]
 CLEAR OPENING = SPIGOT OPENING - 69.6mm[2.74 in]
 PLATE CUT = SPIGOT OPENING + 6.35mm[0.25 in]



ISOMETRIC VIEW
SCALE 1 : 20



SECTION B-B
SCALE 1 : 10



OPTIONS	
HANDING	RIGHT HANDED
	LEFT HANDED
LOCK	LOCKING
	NOT LOCKING
LOCK MECHANISM	LOCKSET/HANDLE
	LOCKSET/DEADBOLT
DOG STYLE	PASSAGE SET/HANDLE
	ALUMINIUM
WINDOW STYLE	CONCEALED
	NYLON
	STAINLESS STEEL
FRAME STYLE	FULL HEIGHT
	HALF HEIGHT
	CIRCULAR
	NO PORTLIGHT
*CORNER TYPE	BOLT IN
	CLAMP IN
*CORNER TYPE	MITRED
	ROUND

CUSTOMER	ADVANTEC
PROJECT	1620 FREEMAN SALES DRAWING
DESCRIPTION	STANDARD 1620 FREEMAN SERIES MODEL AND DRAWING

CONTACT	(604) 607-0091	DATE	10/7/2020
---------	----------------	------	-----------



DWG TITLE	1620 SERIES DOOR	CAGE CODE	
DESCRIPTION	Heavy Duty, French Leaf, Individual Dog	QTY	

COPYRIGHT 2020 ADVANTEC GLOBAL INNOVATIONS. ALL RIGHTS RESERVED. CONFIDENTIAL PROPERTY OF ADVANTEC GLOBAL INNOVATIONS. UNAUTHORIZED USE, REPRODUCTION OR DISTRIBUTION IS STRICTLY PROHIBITED. COPIES REMAIN THE PROPERTY OF ADVANTEC GLOBAL INNOVATIONS AND MUST BE RETURNED UPON REQUEST.

SCALE	1:30	DRAWN	SP	DATE	10/7/2020	CHECKED		DATE		SIZE	B
S.O. NO		DWG NO	1620-1 FME Sales		SHEET	1	REV	00			
					of	1					