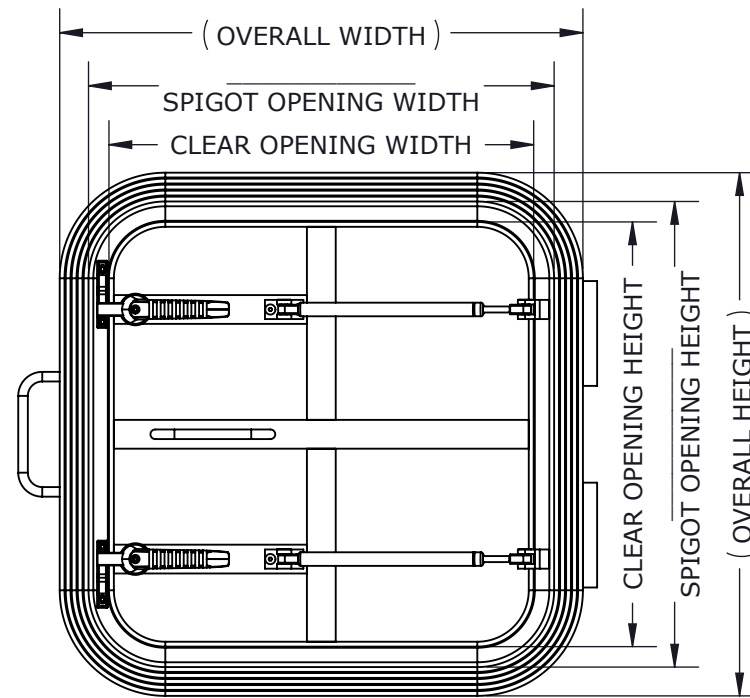
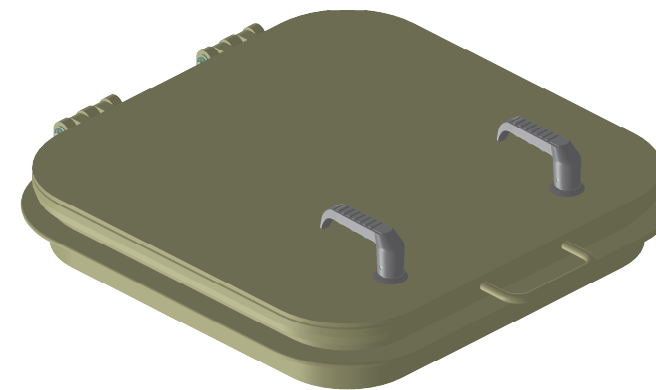


EXTERIOR VIEW

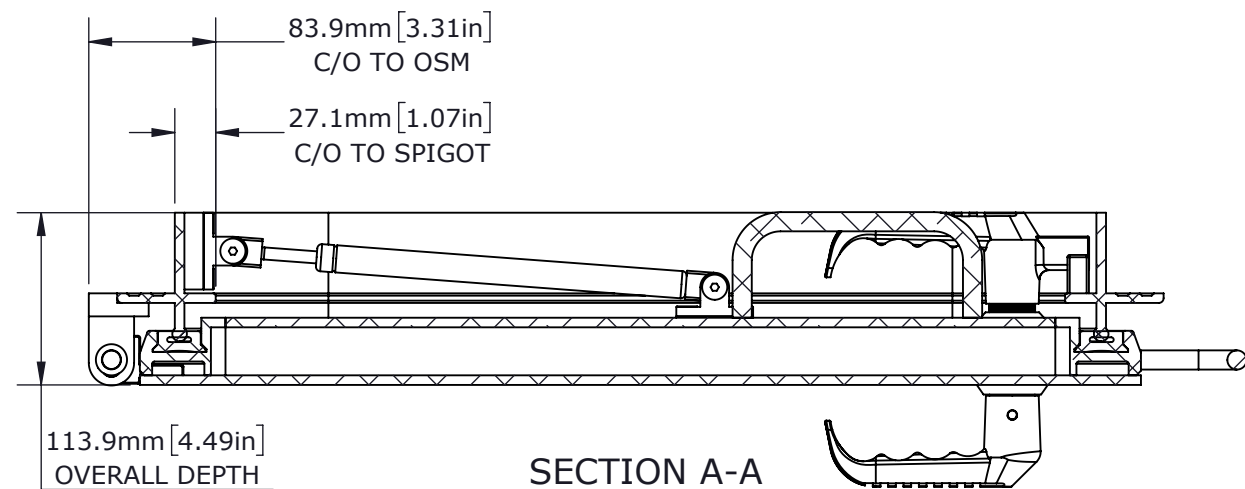


INTERIOR VIEW

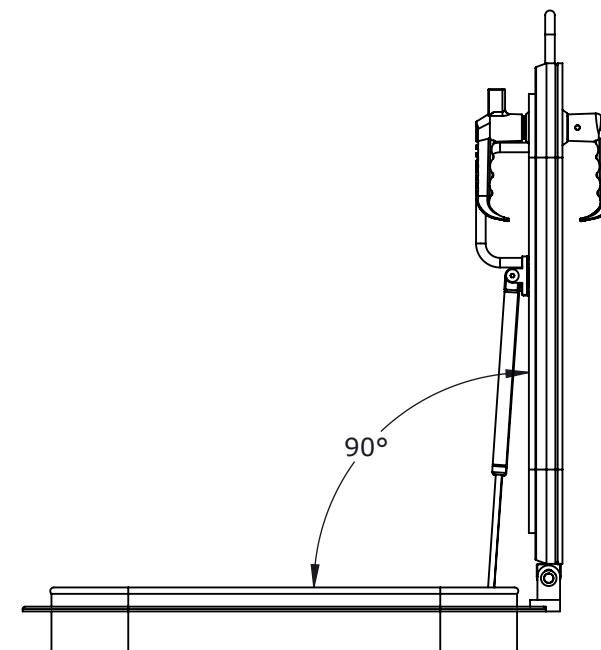
OVERALL = SPIGOT OPENING + 76.2mm[3.00in]
 CLEAR OPENING = SPIGOT OPENING - 54.1mm[2.13in]
 PLATE CUT = SPIGOT OPENING + 6.35mm[0.25in]



ISOMETRIC VIEW
SCALE 1 : 10



SECTION A-A
SCALE 1 : 5



OPTIONS

DOG STYLE	DOG SET (OUTER AND INNER)	
	INSIDE LEVER	
	OUTER HANDLE/ INNER DOG	
HANDLE	BI-SQUARE	
	REMOVABLE WINCH HANDLE	
FRAME STYLE	BOLT-IN	
	WELD-IN	

CUSTOMER

ADVANTEC

PROJECT

3140 FREEMAN SALES DRAWING

DESCRIPTION

STANDARD 3140 FREEMAN SERIES
MODEL AND DRAWING

CONTACT (604) 607-0091 DATE 10/8/2020



DWG TITLE 3140 SERIES HATCH CAGE CODE

DESCRIPTION Heavy Duty, Individual Dog QTY

COPYRIGHT 2020 ADVANTEC GLOBAL INNOVATIONS. ALL RIGHTS RESERVED. CONFIDENTIAL PROPERTY OF ADVANTEC GLOBAL INNOVATIONS. UNAUTHORIZED USE, REPRODUCTION OR DISTRIBUTION IS STRICTLY PROHIBITED. COPIES REMAIN THE PROPERTY OF ADVANTEC GLOBAL INNOVATIONS AND MUST BE RETURNED UPON REQUEST.

SCALE 1:10	DRAWN SP	DATE 10/8/2020	CHECKED	DATE	SIZE B
S.O. NO	DWG NO 3140-1 FME Sales	SHEET 1 of 1	REV	00	