



US CONTENT



USA SLIDING DOORS

CANADIAN CONTENT



MANLY MARINE

43676 Progress Way, Chilliwack, BC CANADA V2R 0C3
28336 Hunter Creek Rd., Gold Beach, OR, 97444, USA
info@advantecglobal.com | www.advantecglobal.com
604.607.0091 | Toll Free: 1.800.770.0455

WE ARE PASSIONATE ABOUT DELIVERING
RELIABLE **SOLUTIONS**
SUPERIOR **QUALITY**
WORLD-CLASS **SUPPORT**

Single Electro-Hydraulic Cargo Door

Model Number: 1006

Single electro-hydraulic sliding cargo door, watertight to 22' head pressure.

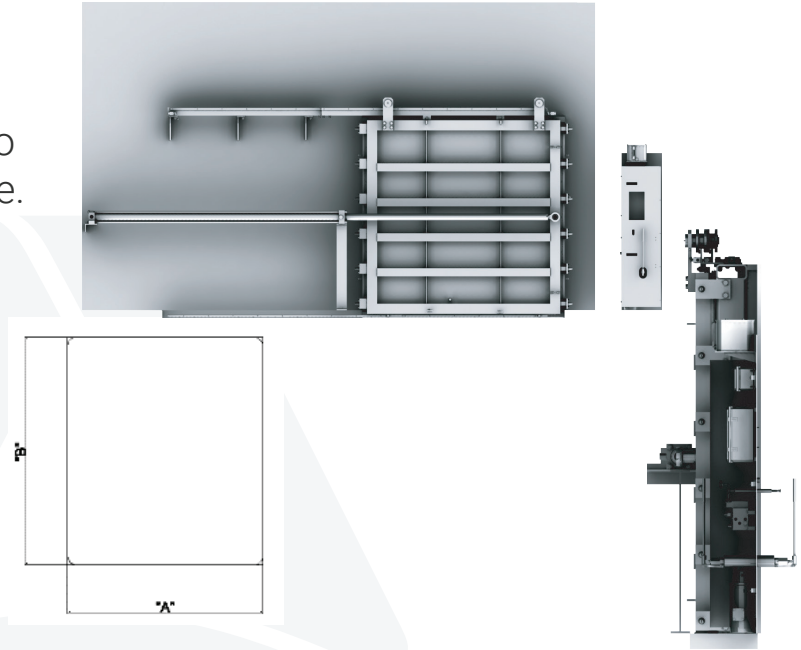
*Custom sizes and pressures available upon request.

RATING: WT

CLEAR OPENING SIZE:

Tolerance $\pm 1/8"$

	Min	Max
"A"	78"	90"
"B"	78"	102"



POWER REQUIREMENTS:

- 460VAC, 60Hz, 30A, 3 Phase
(AVG: 4 kW)

WEIGHT:

- Approx.: 2260 LB.

MINIMUM CLOSING TIME:

- TBD

FRAME FINISH OPTIONS:

- Bare Metal, Mill Finish
- Primer Paint
- Primer Base Coats
- Topcoat
- Powder Coat

OF DOG PINS:

- 12

DOOR MATERIAL:

- Mild Steel
- Aluminum

FRAME MATERIAL:

- Mild Steel
(For Steel Door Only)
- Aluminum
(For Aluminum Door Only)

GASKET:

- Neoprene

ACTUATION:

- Single Hydraulic (3000 PSI Test/750 PSI Operation)

SAFETY FEATURES:

- Hazard Lights
- Hazard Buzzer

OPERATION:

- Manual (Hand Lever)
- Electrically Powered
- Locally Operated
- Bridge Controlled

CLASS OPTIONS:

(Vessel type and size rule set typically reviewed for Class)

- ABS
- DNV-GL
- LR

AVAILABLE DOCUMENTS:

- Wiring Diagrams
- Hydraulic Schematics
- Installation Manual

Proudly part of the **Advantec Marine** family of brands



PROUDLY MADE IN NORTH AMERICA

ISO CERTIFIED

ADVANTEC ADVANTAGE



3 YEAR
HASSLE-FREE
WARRANTY