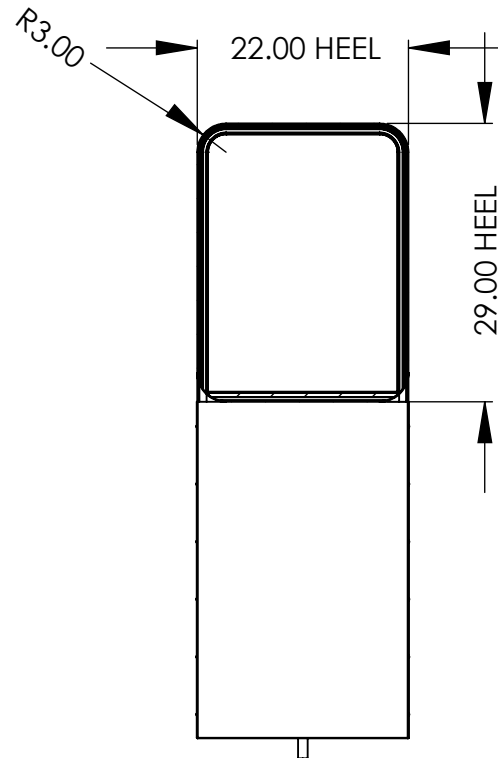


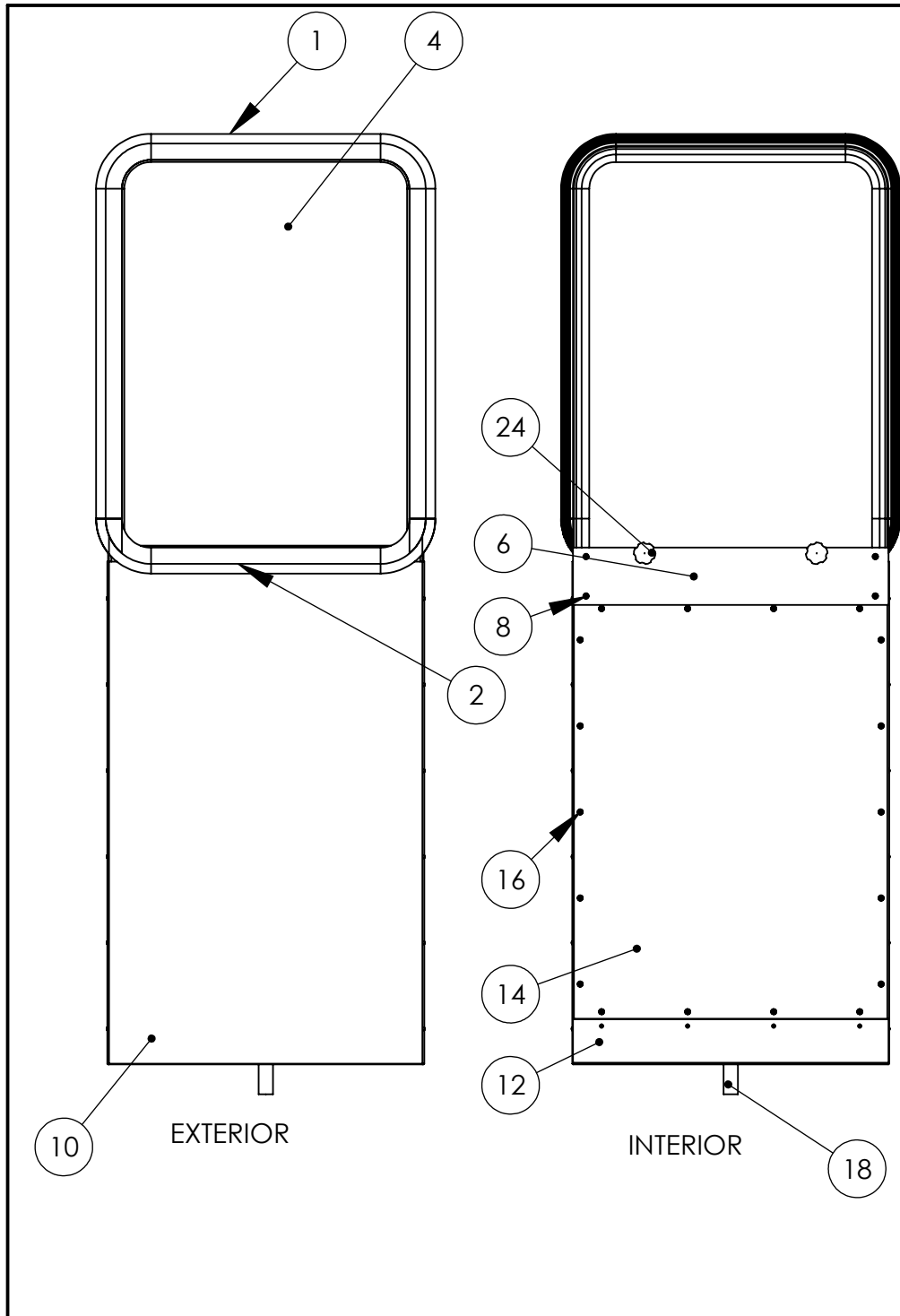
SECTION B-B

SECTION C-C



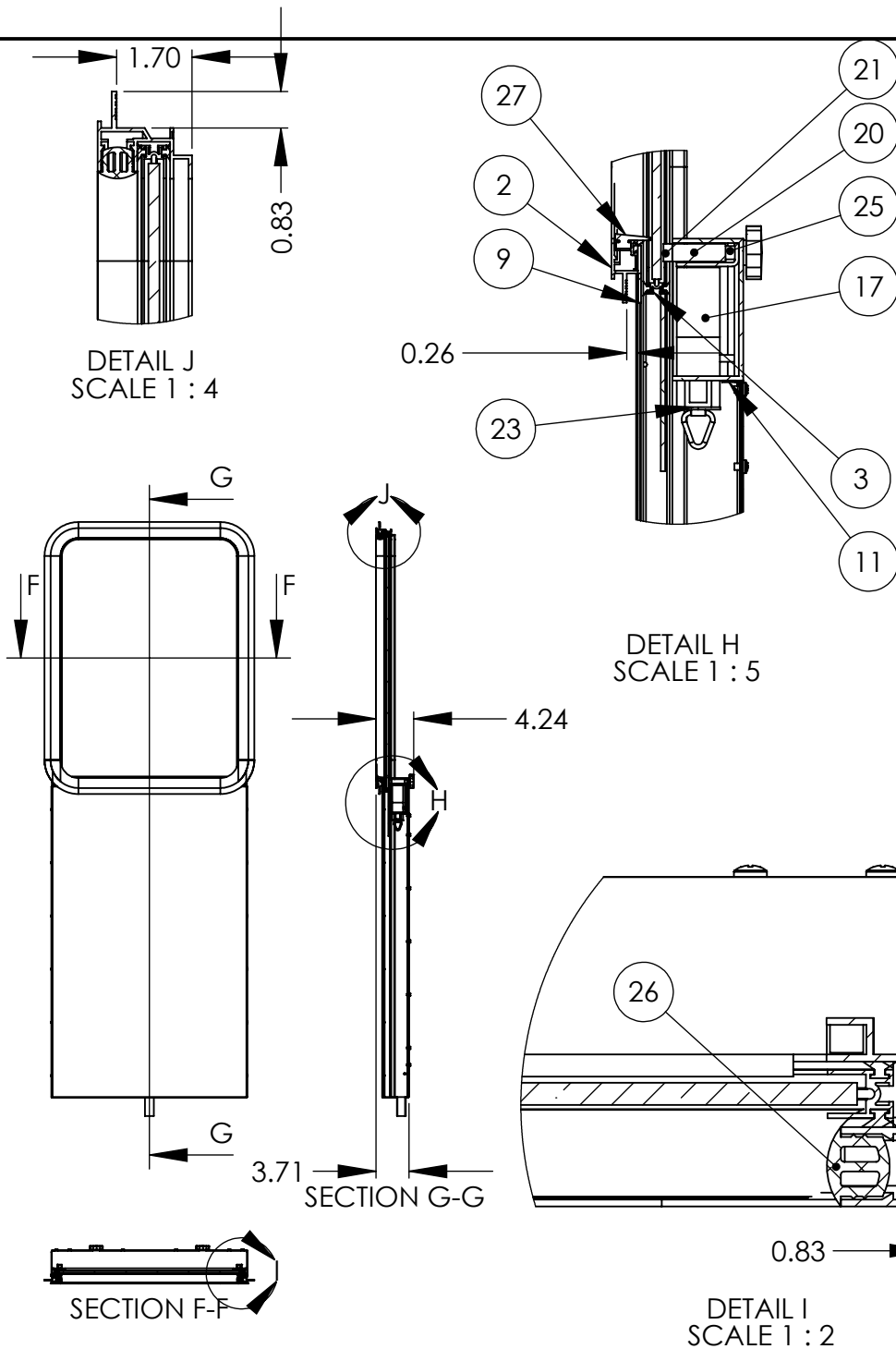
SECTION A-A

| REV                                                                                                                                                                                                                                                                                                                                                                                                                                                                                          | DATE | BY                                              | APPR.         | ECN                                                                                                                       | DESCRIPTION                        |
|----------------------------------------------------------------------------------------------------------------------------------------------------------------------------------------------------------------------------------------------------------------------------------------------------------------------------------------------------------------------------------------------------------------------------------------------------------------------------------------------|------|-------------------------------------------------|---------------|---------------------------------------------------------------------------------------------------------------------------|------------------------------------|
| <b>REVISIONS</b>                                                                                                                                                                                                                                                                                                                                                                                                                                                                             |      |                                                 |               |                                                                                                                           |                                    |
| <small>THE INFORMATION CONTAINED IN THIS DRAWING CONSTITUTES THE INTELLECTUAL PROPERTY, INCLUDING, BUT NOT LIMITED TO, KNOWLEDGE, TRADE SECRETS, AND PROPRIETARY INFORMATION WHICH IS THE EXCLUSIVE PROPERTY OF DIAMOND SEA GLAZE, A.B. INFORMATION CONTAINED IN THIS DRAWING IS TO BE HELD IN THE STRICTEST CONFIDENCE BY THE RECIPIENT, AND IS NOT TO BE COPIED, DISCLOSED TO, OR TRANSMITTED TO ANY THIRD PARTIES WITHOUT THE EXPRESS WRITTEN AUTHORIZATION OF DIAMOND SEA GLAZE.</small> |      |                                                 |               |                                                                                                                           |                                    |
| <b>CAD GENERATED DRAWING. DO NOT MANUALLY UPDATE. *** DO NOT SCALE *** UNLESS OTHERWISE SPECIFIED ALL DIMENSIONS ARE IN INCHES.</b>                                                                                                                                                                                                                                                                                                                                                          |      |                                                 |               | 26995 Gloucester Way, Langley, B.C. Canada<br>Toll Free: 1-800-770-0455 Fax: 604-607-9992<br>Web: www.diamondseaglaze.com |                                    |
| TOLERANCES:<br>FRACTIONS = ±1/16<br>0, 0.0 = ±0.030<br>0.00 = ±0.010<br>0.000 = ±0.005<br>ANGLES = ±1.0                                                                                                                                                                                                                                                                                                                                                                                      |      |                                                 |               | DRAWN: _____<br>DATE: _____                                                                                               | MATERIAL: _____<br>DWG. NO.: _____ |
| 3rd ANGLE PROJ.                                                                                                                                                                                                                                                                                                                                                                                                                                                                              |      | APPROVAL: _____<br>SHEET: 1 OF 3<br>SCALE: 1:20 | 106 FULL DROP |                                                                                                                           | REV.: _____                        |



| ITEM NO. | PART NUMBER                                 | DESCRIPTION                                                  | QTY. |
|----------|---------------------------------------------|--------------------------------------------------------------|------|
| 1        | T06S FULL DROP MAIN EXTRUSION               |                                                              | 1    |
| 2        | T06S FULL DROP BOTTOM FRAME EXTRUSION       |                                                              | 1    |
| 3        | T06S FULL DROP VENT                         |                                                              | 1    |
| 4        | T06S FULL DROP GLASS                        | .25 CLEAR TEMPERED                                           | 1    |
| 5        | T06S FULL DROP T-BAR PROFILE (TRIMMED)      |                                                              | 1    |
| 6        | T06S FULL DROP HORIZONTAL CHANNEL           | 4" X 2" X 1/8" RECTANGULAR TUBING 6061-T6 ALUMINUM, MODIFIED | 1    |
| 7        | T06S FULL DROP TAPPING BLOCK                |                                                              | 2    |
| 8        | CR-FHM1 0.19-24x1.875x1.875-N               |                                                              | 4    |
| 9        | T06S FULL DROP BOTTOM HEEL COVER PLATE      | 11 GAUGE ALUMINUM 5086                                       | 1    |
| 10       | T06S FULL DROP DRIP TRAY MAIN BODY          | 18 GA SS                                                     | 1    |
| 11       | T06S FULL DROP COUNTERBALANCE ANGLE HIDE    | 18 GA SS                                                     | 1    |
| 12       | T06S FULL DROP DRIP TRAY BOTTOM             | 18 GA SS                                                     | 1    |
| 13       | T06S FULL DROP ACCESS PANEL BACKING STRIP   | 18 GA SS                                                     | 1    |
| 14       | T06S FULL DROP ACCESS PANEL                 | 18 GA SS                                                     | 1    |
| 15       | FA-M13725                                   | 1/8" X 3/8" 18-8 SS RIVET                                    | 16   |
| 16       | CR-PHMS 0.19-32x0.25x0.25-N                 |                                                              | 18   |
| 17       | HW-CUT54SXXOH                               | COUNTER BALANCE                                              | 2    |
| 18       | T06S FULL DROP DRAIN TUBE                   | 1" 304 SS TUBING, .065" WALL                                 | 1    |
| 19       | T06S FULL DROP CLAMP GUIDE ANGLE            | 12 GA SS                                                     | 1    |
| 20       | T06S FULL DROP CLAMP BAR                    | 1/2" X 1 1/2" SS FLAT BAR                                    | 1    |
| 21       | T06S FULL DROP FOAM TAPE NOSING             | 1/4" X 1/2" FOAM TAPE                                        | 1    |
| 22       | HW-CU6072                                   | FULL DROP LOCK BOX END CAP                                   | 2    |
| 23       | HW-CU6074                                   | FULL DROP SPRING BALANCE SPACER                              | 4    |
| 24       | SHEAR-LOC .375 ROSETTE KNOB                 |                                                              | 2    |
| 25       | HX-SHCS 0.375-16x1.5x1.5-N                  |                                                              | 2    |
| 26       | T06S PVC PLUG                               |                                                              | 1    |
| 27       | T06S FULL DROP T-BAR SEAL                   | T-BAR SEAL                                                   | 1    |
| 28       | T06S FULL DROP EXTERIOR WEATHER STRIPPING   | EXTERIOR WEATHER STRIPPING                                   | 1    |
| 29       | T06S FULL DROP INTERIOR WEATHER STRIPPING   | T06S FULL DROP INTERIOR WEATHER STRIPPING                    | 1    |
| 30       | T06S FULL DROP VENT TO COUNTERBALANCE PLATE | 1/4" AL PLATE                                                | 1    |

| REV                                                                                                                                                                                                                                                                                                                                                                                                                                                                                         | DATE | BY                                                                             | APPR | ECN                                                                                                                       | DESCRIPTION |
|---------------------------------------------------------------------------------------------------------------------------------------------------------------------------------------------------------------------------------------------------------------------------------------------------------------------------------------------------------------------------------------------------------------------------------------------------------------------------------------------|------|--------------------------------------------------------------------------------|------|---------------------------------------------------------------------------------------------------------------------------|-------------|
| <b>REVISIONS</b>                                                                                                                                                                                                                                                                                                                                                                                                                                                                            |      |                                                                                |      |                                                                                                                           |             |
| <small>THE INFORMATION CONTAINED IN THIS DRAWING CONSTITUTES THE INTELLECTUAL PROPERTY, INCLUDING, BUT NOT LIMITED TO, KNOWLEDGE, TRADE SECRETS, AND PROPRIETARY INFORMATION WHICH IS THE EXCLUSIVE PROPERTY OF DIAMOND SEA GLAZE. ALL INFORMATION CONTAINED IN THIS DRAWING IS TO BE HELD IN THE STRICTEST CONFIDENCE BY THE RECIPIENT, AND IS NOT TO BE COPIED, DISCLOSED TO, OR TRANSMITTED TO ANY THIRD PARTIES WITHOUT THE EXPRESS WRITTEN AUTHORIZATION OF DIAMOND SEA GLAZE.</small> |      |                                                                                |      |                                                                                                                           |             |
| <b>CAD GENERATED DRAWING. DO NOT MANUALLY UPDATE. *** DO NOT SCALE *** UNLESS OTHERWISE SPECIFIED ALL DIMENSIONS ARE IN INCHES.</b>                                                                                                                                                                                                                                                                                                                                                         |      |                                                                                |      | 26995 Gloucester Way, Langley, B.C. Canada<br>Toll Free: 1-800-770-0455 Fax: 604-607-9992<br>Web: www.diamondseaglaze.com |             |
| TOLERANCES:<br>FRACTIONS = ±1/16<br>0, 0.0 = ±0.030<br>0.00 = ±0.010<br>0.000 = ±0.005<br>ANGLES = ±1.0                                                                                                                                                                                                                                                                                                                                                                                     |      | DRAWN: _____<br>DATE: _____<br>APPROVAL: _____<br>SHEET: 2 OF 3<br>SCALE: 1:12 |      | MATERIAL: _____<br>DWG. NO.: _____<br><b>106 FULL DROP</b>                                                                |             |
| <b>3rd ANGLE PROJ.</b>                                                                                                                                                                                                                                                                                                                                                                                                                                                                      |      |                                                                                |      | REV.: _____                                                                                                               |             |



| ITEM NO. | PART NUMBER                                     | DESCRIPTION                                                  | QTY. |
|----------|-------------------------------------------------|--------------------------------------------------------------|------|
| 1        | 106S FULL DROP MAIN EXTRUSION                   |                                                              | 1    |
| 2        | 106S FULL DROP BOTTOM FRAME EXTRUSION           |                                                              | 1    |
| 3        | 106S FULL DROP VENT                             |                                                              | 1    |
| 4        | 106S FULL DROP GLASS                            | .25 CLEAR TEMPERED                                           | 1    |
| 5        | 106S FULL DROP T-BAR PROFILE (TRIMMED)          |                                                              | 1    |
| 6        | 106S FULL DROP HORIZONTAL CHANNEL               | 4" X 2" X 1/8" RECTANGULAR TUBING 6061-T6 ALUMINUM, MODIFIED | 1    |
| 7        | 106S FULL DROP TAPPING BLOCK                    |                                                              | 2    |
| 8        | CR-FHMT 0.19-24x1.875x1.875-N                   |                                                              | 4    |
| 9        | 106S FULL DROP BOTTOM HEEL COVER PLATE          | 11 GAUGE ALUMINUM 5086                                       | 1    |
| 10       | 106S FULL DROP DRIP TRAY MAIN BODY              | 18 GA SS                                                     | 1    |
| 11       | 106S FULL DROP COUNTERBALANCE ANGLE HIDE BOTTOM | 18 GA SS                                                     | 1    |
| 12       | 106S FULL DROP DRIP TRAY BOTTOM                 | 18 GA SS                                                     | 1    |
| 13       | 106S FULL DROP ACCESS PANEL BACKING STRIP       | 18 GA SS                                                     | 1    |
| 14       | 106S FULL DROP ACCESS PANEL                     | 18 GA SS                                                     | 1    |
| 15       | FA-M13725                                       | 1/8" X 3/8" 18-8 SS RIVET                                    | 16   |
| 16       | CR-PHMS 0.19-32x0.25x0.25-N                     |                                                              | 18   |
| 17       | HW-CU154SXXOH                                   | COUNTER BALANCE                                              | 2    |
| 18       | 106S FULL DROP DRAIN TUBE                       | 1" 304 SS TUBING, .065" WALL                                 | 1    |
| 19       | 106S FULL DROP CLAMP GUIDE ANGLE                | 12 GA SS                                                     | 1    |
| 20       | 106S FULL DROP CLAMP BAR                        | 1/2" X 1 1/2" SS FLAT BAR                                    | 1    |
| 21       | 106S FULL DROP FOAM TAPE NOSING                 | 1/4" X 1/2" FOAM TAPE                                        | 1    |
| 22       | HW-CU6072                                       | FULL DROP, LOCK BOX END CAP                                  | 2    |
| 23       | HW-CU6074                                       | FULL DROP SPRING BALANCE SPACER                              | 4    |
| 24       | SHEAR-LOC .375 ROSETTE KNOB                     |                                                              | 2    |
| 25       | HX-SHCS 0.375-16x1.5x1.5-N                      |                                                              | 2    |
| 26       | 106S PVC PLUG                                   |                                                              | 1    |
| 27       | 106S FULL DROP T-BAR SEAL                       | T-BAR SEAL                                                   | 1    |
| 28       | 106S FULL DROP EXTERIOR WEATHER STRIPPING       | EXTERIOR WEATHER STRIPPING                                   | 1    |
| 29       | 106S FULL DROP INTERIOR WEATHER STRIPPING       | 106S FULL DROP INTERIOR WEATHER STRIPPING                    | 1    |
| 30       | 106S FULL DROP VENT TO COUNTERBALANCE PLATE     | 1/4" AL PLATE                                                | 1    |

HEEL/CUTOUT

| REV                                                                                                                                                                                                                                                                                                                                                                                                                                                                                         | DATE | BY                                              | APPR.                          | ECN                                                                                                                       | DESCRIPTION |
|---------------------------------------------------------------------------------------------------------------------------------------------------------------------------------------------------------------------------------------------------------------------------------------------------------------------------------------------------------------------------------------------------------------------------------------------------------------------------------------------|------|-------------------------------------------------|--------------------------------|---------------------------------------------------------------------------------------------------------------------------|-------------|
| <b>REVISIONS</b>                                                                                                                                                                                                                                                                                                                                                                                                                                                                            |      |                                                 |                                |                                                                                                                           |             |
| <small>THE INFORMATION CONTAINED IN THIS DRAWING CONSTITUTES THE INTELLECTUAL PROPERTY, INCLUDING, BUT NOT LIMITED TO, KNOWLEDGE, TRADE SECRETS, AND PROPRIETARY INFORMATION WHICH IS THE EXCLUSIVE PROPERTY OF DIAMOND SEA GLAZE. ALL INFORMATION CONTAINED IN THIS DRAWING IS TO BE HELD IN THE STRICTEST CONFIDENCE BY THE RECIPIENT, AND IS NOT TO BE COPIED, DISCLOSED TO, OR TRANSMITTED TO ANY THIRD PARTIES WITHOUT THE EXPRESS WRITTEN AUTHORIZATION OF DIAMOND SEA GLAZE.</small> |      |                                                 |                                |                                                                                                                           |             |
| <b>CAD GENERATED DRAWING. DO NOT MANUALLY UPDATE. *** DO NOT SCALE *** UNLESS OTHERWISE SPECIFIED ALL DIMENSIONS ARE IN INCHES.</b>                                                                                                                                                                                                                                                                                                                                                         |      |                                                 |                                | 26995 Gloucester Way, Langley, B.C. Canada<br>Toll Free: 1-800-770-0455 Fax: 604-607-9992<br>Web: www.diamondseaglaze.com |             |
| TOLERANCES:<br>FRACTIONS = ±1/16<br>0, 0.0 = ±0.030<br>0.00 = ±0.010<br>0.000 = ±0.005<br>ANGLES = ±1.0                                                                                                                                                                                                                                                                                                                                                                                     |      | DRAWN: _____<br>DATE: _____                     | MATERIAL: _____                |                                                                                                                           |             |
| 3rd ANGLE PROJ.                                                                                                                                                                                                                                                                                                                                                                                                                                                                             |      | APPROVAL: _____<br>SHEET: 3 OF 3<br>SCALE: 1:20 | DWG. NO.: <b>106 FULL DROP</b> |                                                                                                                           | REV.: _____ |